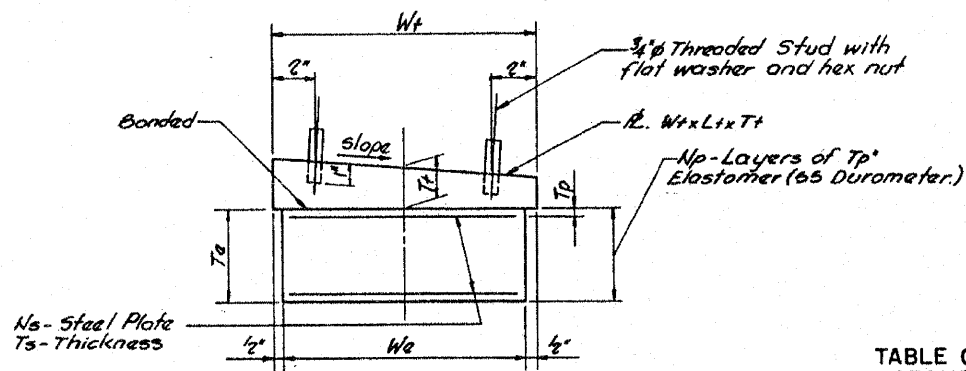


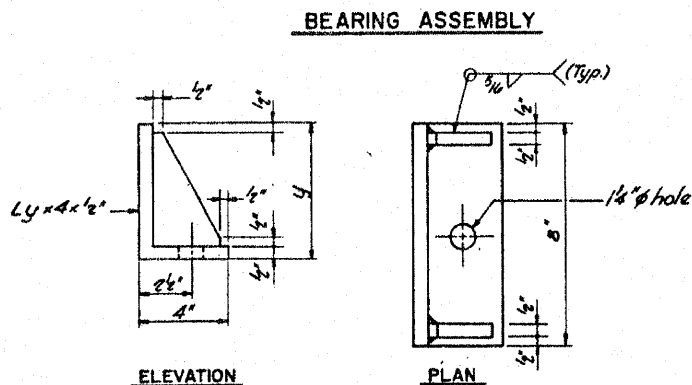
**TYPE I ELASTOMERIC EXPANSION BEARING**



**TABLE OF DIMENSIONS - TYPE I ELASTOMERIC EXPANSION BEARINGS**

We	Le	Series	Tp	Np	Ts	Ns	Te
9	12	a	5/8	5	3/2	4	2 1/4
9	12	b	3/8	7	5/2	6	3 3/8
10	14	a	7/16	5	1/8	4	2 1/8
10	14	b	7/16	6	1/8	5	3/4
10	14	c	7/16	7	1/8	6	3 13/16
10	14	d	7/16	8	1/8	7	4 7/8
11	16	c	1/2	6	1/8	5	3 5/8
11	16	d	1/2	7	1/8	6	4 1/4

Tp - denotes thickness of each elastomeric layer.  
 Np - denotes number of elastomeric layers.  
 Ts - denotes thickness of each steel plate.  
 Ns - denotes number of steel plates.



**SIDE RETAINER DETAILS**

**TYPE I ELASTOMERIC EXPANSION BEARING SCHEDULE**

STRUCTURE NO.	PIER LOCATION	GIRDER NO.	We	Le	SERIES	TOP PLATE			SLOPE %	Y	He	NO. REQ'D	REMARKS
						T	W	L					
016-1113	1(N)	GN1,GN2,G1-C	9	12	b	12	10	14	2.6	⊗	⊗	3	N,B
	3(S)	GR-1 → GR-B	10	14	b	2	11	16	3.1	⊗	⊗	8	R,E (GR-1)
		GN-1	10	14	b	2	11	16	3.1	⊗	⊗	1	N,E
	5(N)	GR-1 → GR-B	10	14	b	2	11	16	2.6	⊗	⊗	8	R,E (GR-1)
		GN-1, GN-2	10	14	b	2	11	16	2.6	⊗	⊗	2	N,E (GN-2)
	5(S)	GR-1 → GR-B	10	14	b	2	11	16	3.1	⊗	⊗	8	R,B
		GN-1, GN-2	10	14	b	2	11	16	3.1	⊗	⊗	2	N,B
	5(N)	GR-1 → GR-9	10	14	b	2	11	16	2.6	⊗	⊗	9	R,B
		GN1,GN2,GN-3	10	14	b	2	11	16	2.6	⊗	⊗	3	N,B
	7(S)	GR-1 → GR-10	10	14	b	2	11	16	3.6	⊗	⊗	10	R,E (GR-1)
		GN1,GN2,GN-3	10	14	b	2	11	16	3.6	⊗	⊗	3	N,E (GN-3)
	7(N)	GR-1 → GR-11	10	14	b	2	11	16	2.6	⊗	⊗	11	R,E (GR-1)
		GN-1, GN-2	10	14	b	2	11	16	2.6	⊗	⊗	2	N,E (GN-2)
	8(N)	GR-1 → GR-12	10	14	b	2	11	16	2.6	⊗	⊗	12	R,B
GN-1, G1-D		10	14	b	2	11	16	2.6	⊗	⊗	2	N,B	
10(S)	GR-1 → GR-9	10	14	b	2	11	16	3.6	⊗	⊗	9	R,B	
016-1113	C3(S)	GC-1 → GC-5	10	14	d	2 1/2	11	16	4.2	⊗	⊗	5	R,E (GC-1)
		GC-1	10	14	d	2 1/2	11	16	4.2	⊗	⊗	1	N,B (G1-C)
	C7(S)	GC-1, GC-5	10	14	a	2	11	16	1.6	⊗	⊗	5	R
		G1-C → G2-C	10	14	a	2	11	16	1.6	⊗	⊗	2	N,E
	C7(N)	GC-2 → GC-5	9	12	a	2 1/2	10	14	2.1	⊗	⊗	4	R
		G1-C, G2-C, G3-C	9	12	a	2 1/2	10	14	2.1	⊗	⊗	3	N,E (G1-C, G3-C)
	C9	GC-1 → GC-5	10	14	a	2	11	16	2.1	⊗	⊗	5	R,B
		G3-C	10	14	a	2	11	16	2.1	⊗	⊗	1	N,B
	C11	G1-C	10	14	c	2	11	16	2.1	⊗	⊗	1	N,B
	C13(S)	GC-1 → GC-5	9	12	a	2	10	14	2.1	⊗	⊗	5	R,E (GC-1)
		G1-C	9	12	a	2	10	14	2.1	⊗	⊗	1	N,E (G1-C)
	D7(S)	GD-1 → GD-4	9	12	b	2	10	14	4.2	⊗	⊗	4	R,B
		G1-D, G2-D	9	12	b	2	10	14	4.2	⊗	⊗	2	N,B
	D7(N)	GD1 → GD-3	9	12	b	2	10	14	3.1	⊗	⊗	3	R,B
G1D, G2-D, G3-D		9	12	b	2	10	14	3.1	⊗	⊗	3	N,B	
DB(N)	GD-1 → GD-4	9	12	b	2	10	14	3.1	⊗	⊗	4	R,B	
D10(S)	GD-1 → GD-6	11	16	d	2 1/2	12	18	4.2	⊗	⊗	8	R,B	
D10(N)	GD1 → GD-6	11	16	c	2 1/2	12	18	4.2	⊗	⊗	6	R,B	
	G1-D	11	16	c	2 1/2	12	18	4.2	⊗	⊗	1	N,B	

**Notes:**

- Side Retainer Details for Bearings without Bolster are shown on this sheet. For Bearings requiring a Bolster, see Bolster Details for Side Retainer details.
- Height of Bearing Assembly, He, includes Top Plate and Elastomeric Pad and does not include Shim Plate.
- See Shim Thickness Schedule for required shims.

Remarks: B - Bolster required, See Bolster Details and schedule.  
 E - Exterior girder, Side Retainer required at inside face of exterior girder.  
 N - New bearing for roadway widening.  
 R - Replacement bearing for existing girders.  
 ⊗ - See Bolster schedule for y and He dimensions.  
 Sheet BRP 21