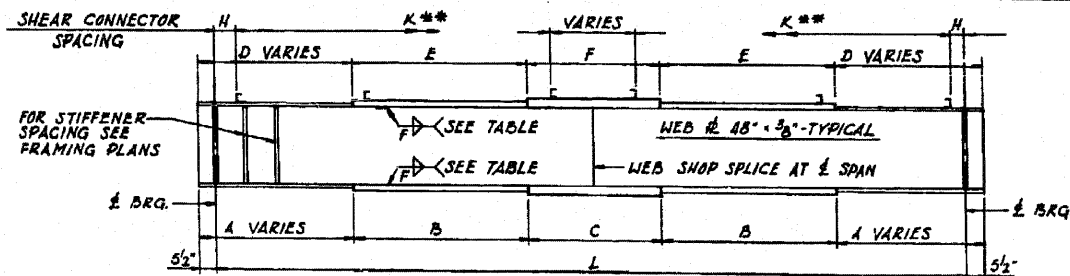
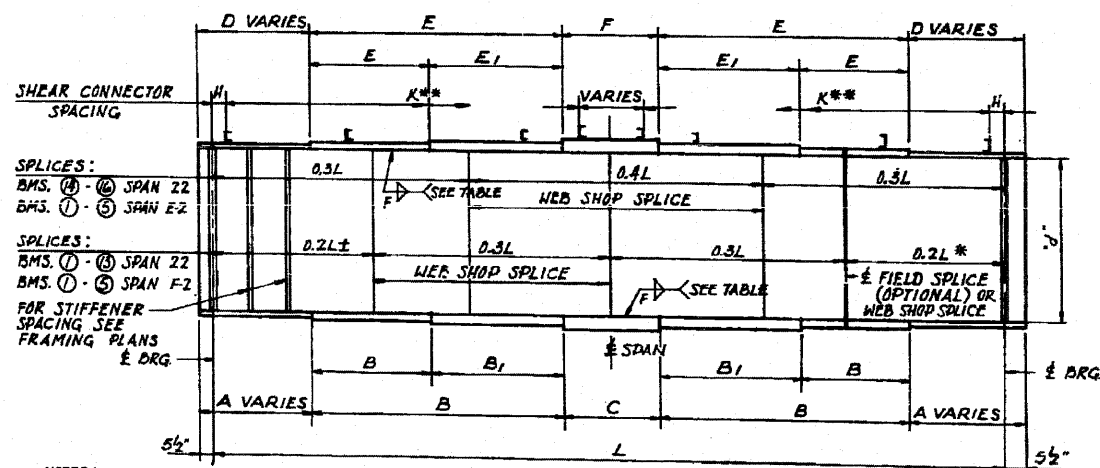


TYPICAL ELEVATION OF 48" WELDED PLATE BEAMS - SPANS 18, 19, 20

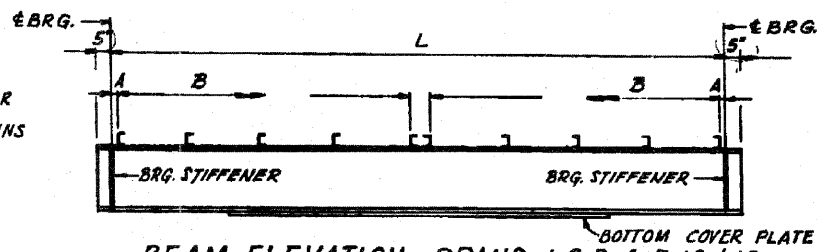


TYPICAL ELEVATION OF 48" WELDED PLATE BEAMS - SPANS 21, E-1

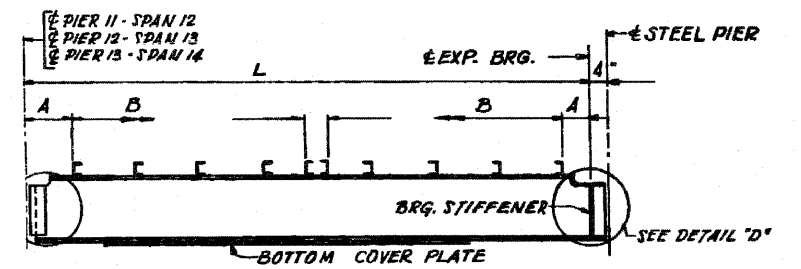
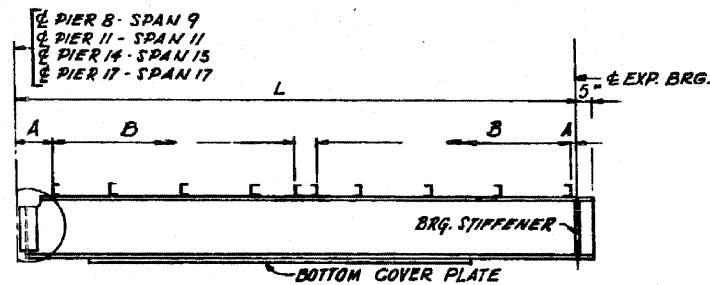


NOTES:
 0.2L - DIMENSION CAN BE ADJUSTED TO AVOID INTERFERENCE WITH INTERMEDIATE STIFFENERS AND LATERAL BRACING CONNECTIONS.
 78" x 1/2" WEB # - SPAN E-2
 96" x 1/2" WEB # - SPANS 22

TYPICAL ELEVATION OF 78" & 96" WELDED PLATE BEAMS



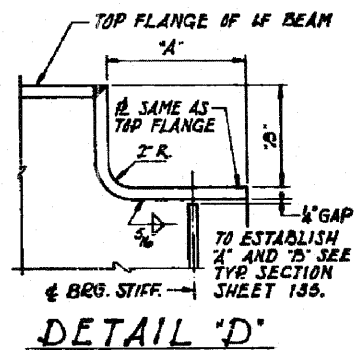
BEAM ELEVATION - SPANS 1, 2, 3, 4, 5, 10 & 16



BEAM ELEVATION - SPANS 12, 13 & 14

TABLE FOR 2 SPAN CONTINUOUS BEAM

BEAM NO.	BM SIZE	C	D	E	SHEAR CONNECTOR SPACING "F" *	SHEAR CONNECTOR SPACING "G" *
1	36WF30	15 x 1 1/2 x 21'-0"	14 x 2 x 25'-0"	22'-6"	21 @ 1'-0" - 12 @ 1'-6"	26 @ 1'-0" - 13 @ 1'-6"
2 AND 3	36WF49	11 x 1 3/8 x 21'-0"	10 x 1/2 x 25'-0"	22'-6"	23 @ 1'-0" - 5 @ 2'-0"	24 @ 1'-0" - 7 @ 2'-0"



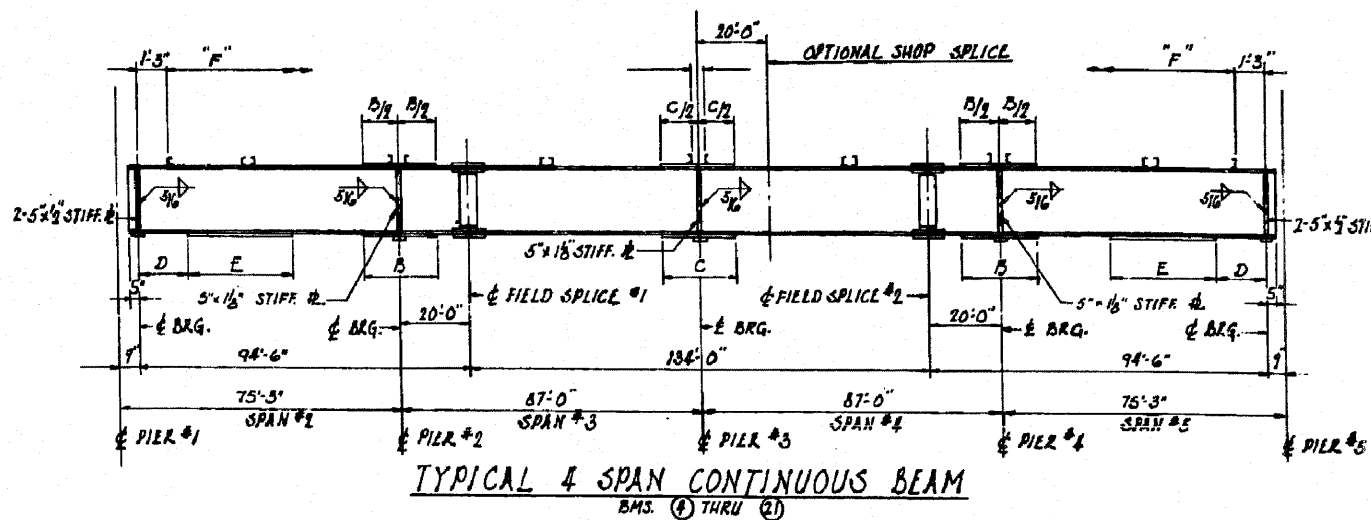
DETAIL 'D'

TABLE FOR 3 SPAN CONTINUOUS BEAM

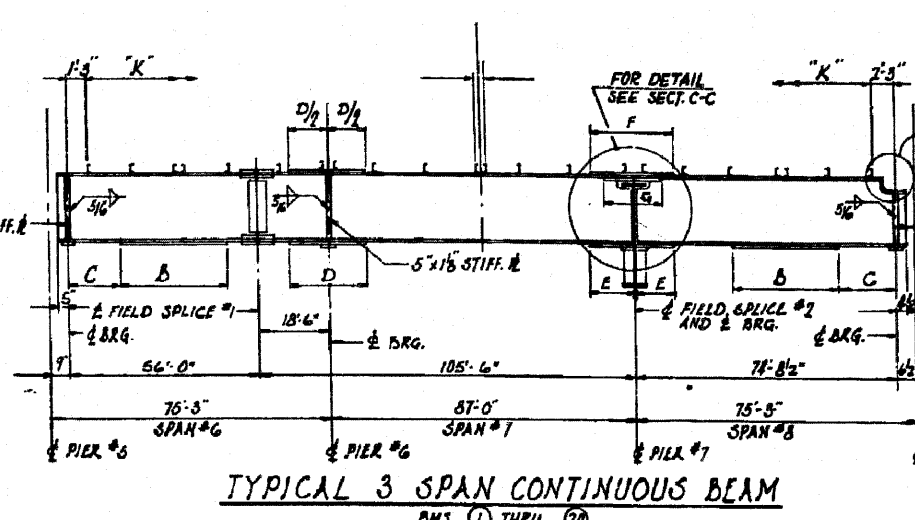
BEAM NO.	BM SIZE	B	C	D	E	F	G	SHEAR CONNECTOR SPACING "K" *
2 TO 9, 11 TO 17	36WF50	10 x 1/2 x 25'-0"	18'-3"	11'-1 1/8" - 21'-0"	11'-1 1/8" - 12'-0"	12'-1 1/8" - 25'-0"	5'-1 1/2" - 9'-6"	21 @ 1'-0" - 12 @ 1'-6" - 23 @ 1'-0"
1, 10, 11, AND 20	36WF70	10 x 1 1/8 x 35'-0"	18'-6"	11'-1 1/2" - 23'-0"	11'-1 1/2" - 14'-0"	12'-1 1/2" - 29'-0"	5'-1 1/2" - 10'-0"	34 @ 1'-0" - 1 @ 1'-6" - 20 @ 1'-0" - SPAN 8

TABLE FOR 4 SPAN CONTINUOUS BEAM

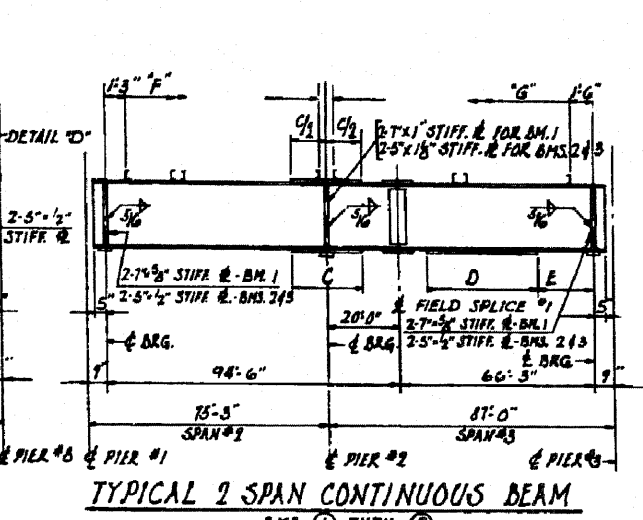
BEAM NO.	BM SIZE	B	C	D	E	SHEAR CONNECTOR SPACING "F" *
4 TO 11, 14 TO 21	36WF50	11 x 1 1/8 x 21'-0"	11'-1" - 20'-0"	10'-3"	10'-1/2" - 25'-0"	21 @ 1'-0" - 12 @ 1'-6" - 23 @ 1'-0" - 5 @ 2'-0"
12 AND 13	36WF70	11 x 1 1/4 x 21'-0"	11'-1" - 20'-0"	13'-6"	10'-5/8" - 32'-0"	1 @ 2'-6" - 34 @ 1'-0" - 11 @ 1'-6" - 34 @ 1'-0"



TYPICAL 4 SPAN CONTINUOUS BEAM



TYPICAL 3 SPAN CONTINUOUS BEAM



TYPICAL 2 SPAN CONTINUOUS BEAM