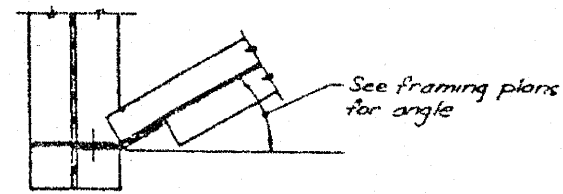
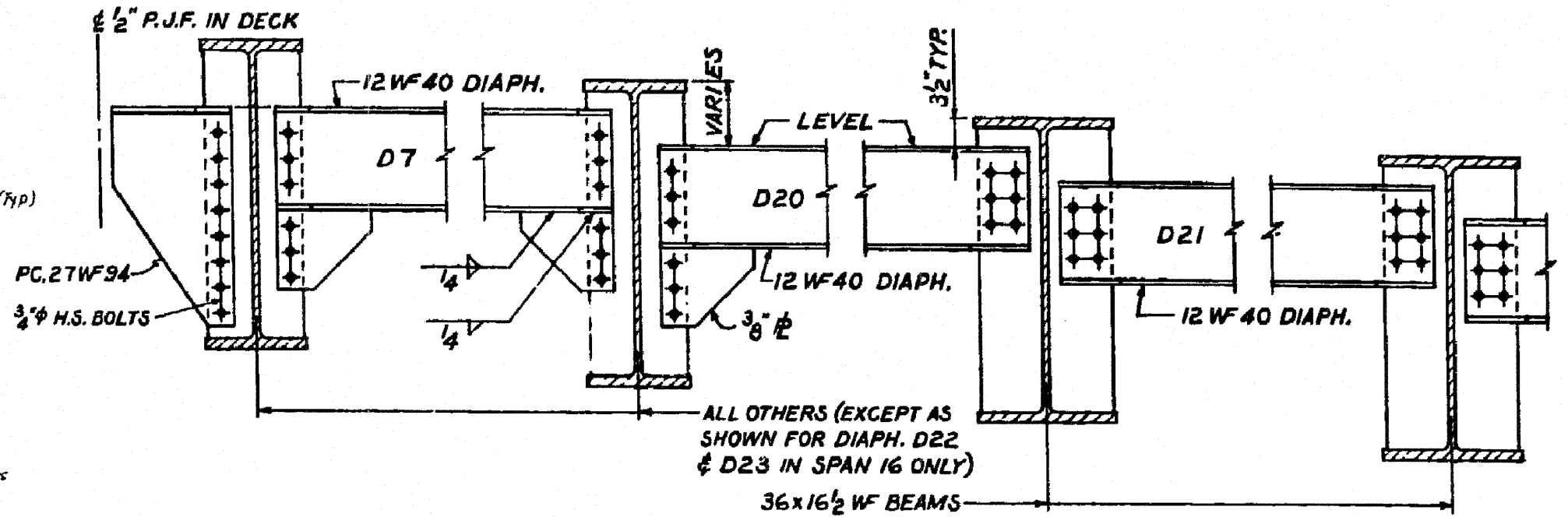


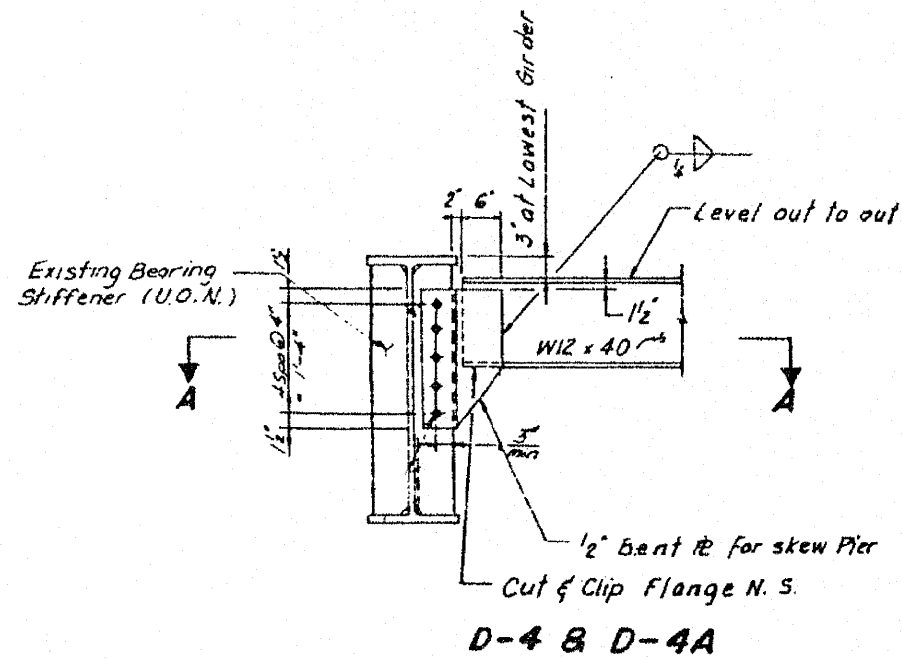
**D-1
END DIAPHRAGM**



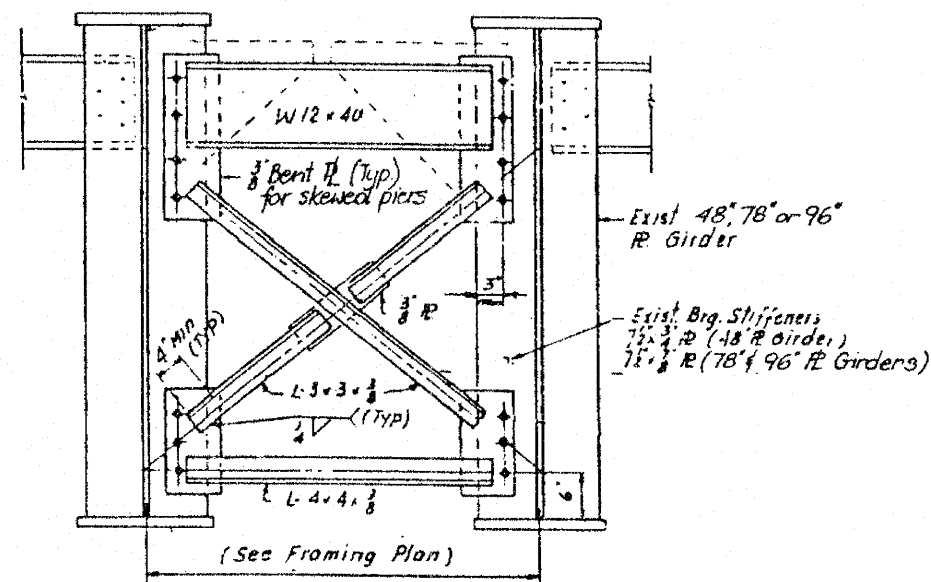
SECTION A-A



ELEVATION OF END DIAPHRAGMS D7, D20



**D-4 & D-4A
END DIAPHRAGM**



**CF-1, CF-1A & CF-1B
TYPICAL END CROSS FRAME**

FILE NAME =	USER NAME = rgal1	DESIGNED - AMR	REVISED -	STATE OF ILLINOIS DEPARTMENT OF TRANSPORTATION	DIAPHRAGM & CROSS FRAME DETAILS - LOCATION 2 STRUCTURE NO. 016-1115	F.A.I. RTE.	SECTION	COUNTY	TOTAL SHEETS	SHEET NO.
	PLOT SCALE = 1/8" = 1' IN.	DRAWN - AMR	REVISED -			94	2010-127-BP	COOK	160	75
	PLOT DATE = 3/28/2011	CHECKED - JMH	REVISED -		SCALE: NTS	SHEET NO. 29 OF 37 SHEETS	STA.	TO STA.	CONTRACT NO. 60N01	
		DATE - MARCH, 2011	REVISED -		ILLINOIS FED. AID PROJECT					