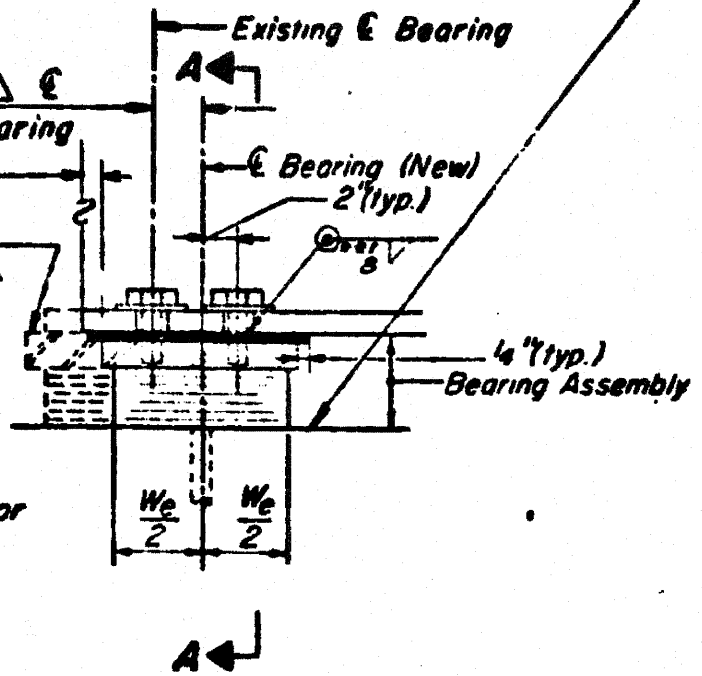


$\Delta \xi$ is with respect to girders except for bearings with bolsters

±1" for bearings without bolsters

Where $\Delta \xi = 0$, the top plate may extend past the bottom flange a minimum of 1/2".

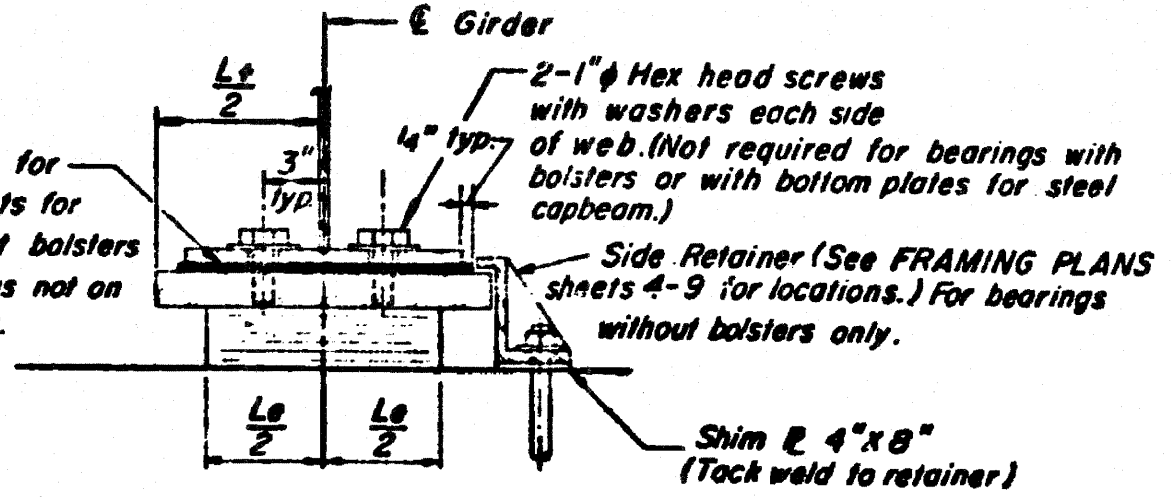
* Not applicable at interior supports or at size 6" x 10" elastomer.



TYPICAL SECTION

Elastomer sits on a concrete capbeam except when bolster is required as scheduled on this sheet and steel capbeams as scheduled on sheet 16.

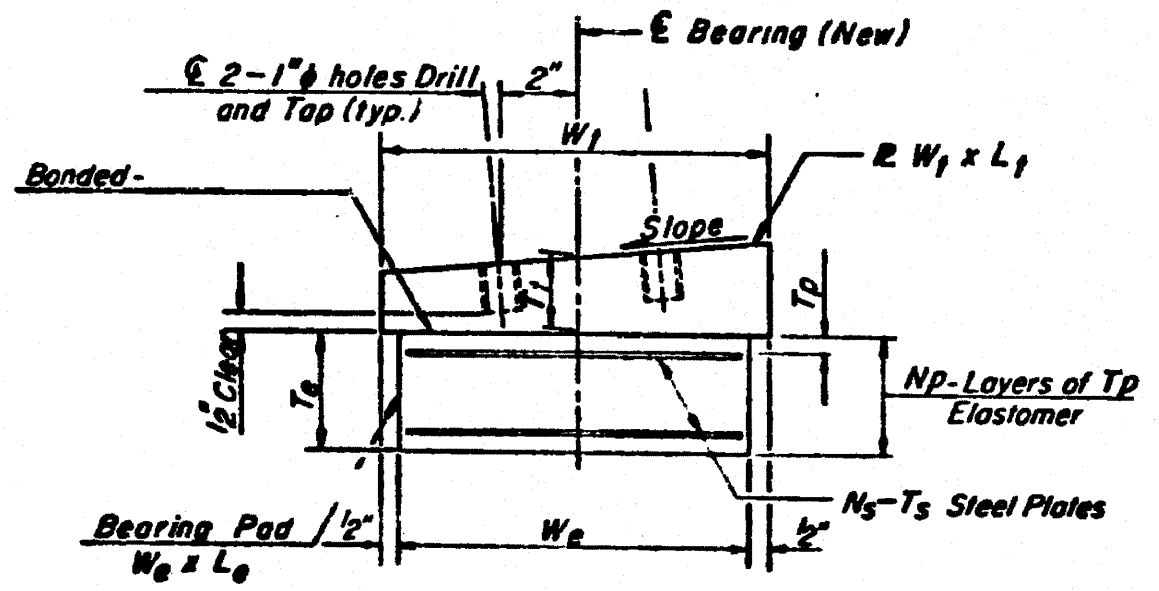
Use shim plates for field adjustments for bearings without bolsters and for bearings not on steel capbeams.



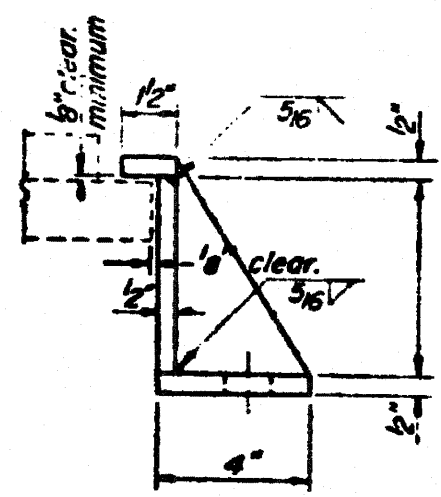
SECTION A-A

•• = 5/16" when screws are not used.

TYPE I ELASTOMERIC EXP. BRG.

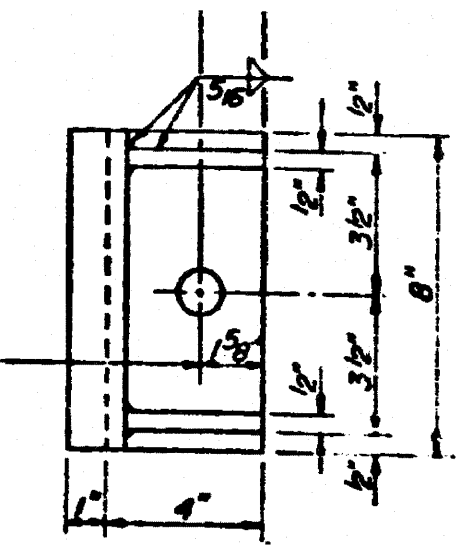


BEARING ASSEMBLY



END VIEW

Side Retainer hole 1/4" larger in diameter than bolt.



PLAN VIEW

SIDE RETAINER

FILE NAME =	USER NAME = rgal1	DESIGNED - AMR	REVISIONS -	STATE OF ILLINOIS DEPARTMENT OF TRANSPORTATION	TYPE I ELASTOMERIC EXPANSION BEARING DETAILS - LOCATION 2 STRUCTURE NO. 016-1115	F.A.I. RTE. 94	SECTION 2010-127-BP	COUNTY COOK	TOTAL SHEETS 160	SHEET NO. 77
	PLOT SCALE = 1:8000 1/2" = 1'	CHECKED - JMH	REVISIONS -			SCALE: NTS	SHEET NO. 31 OF 37 SHEETS	STA. TO STA.	CONTRACT NO. 60N01	
	PLOT DATE = 3/28/2011	DATE - MARCH, 2011	REVISIONS -			[ILLINOIS] FED. AID PROJECT				