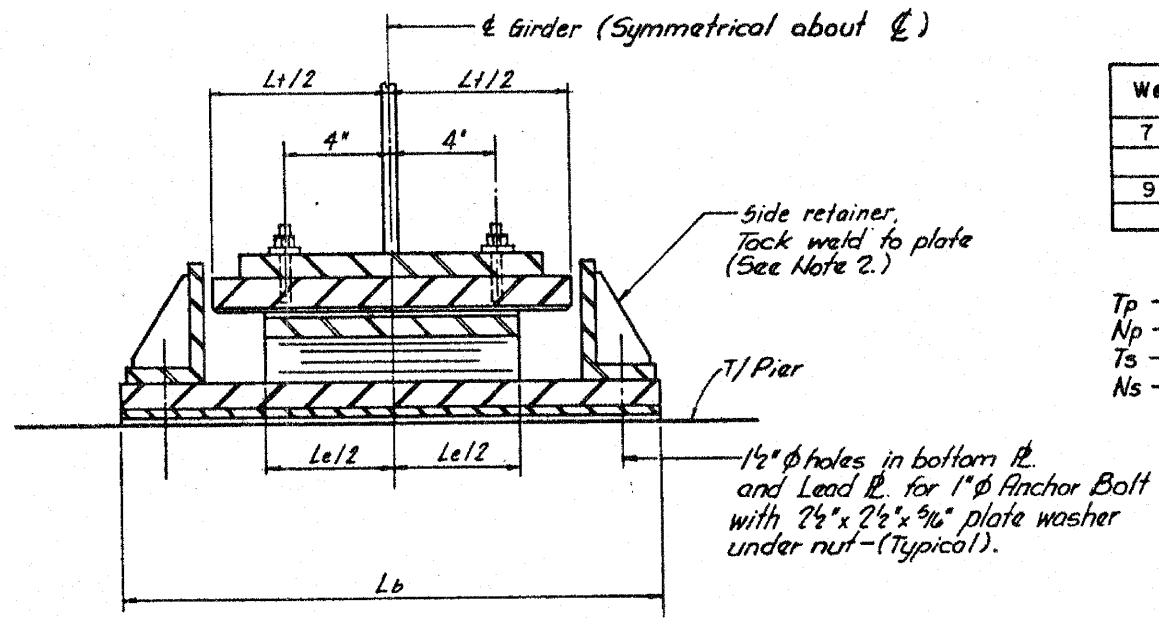


TYPICAL ELEVATION



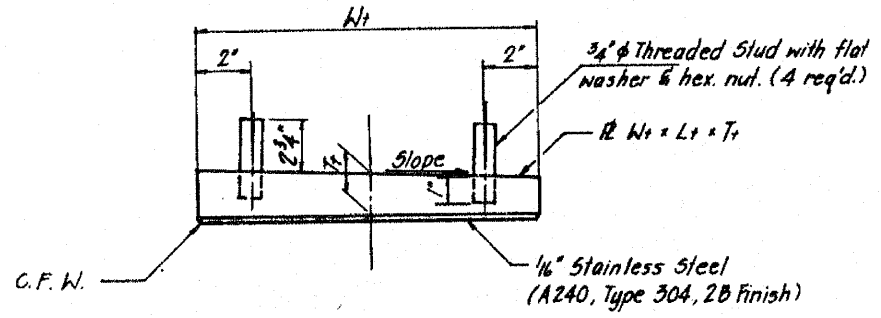
SECTION A-A

TABLE OF DIMENSIONS—TYPE II ELASTOMERIC EXPANSION BEARINGS

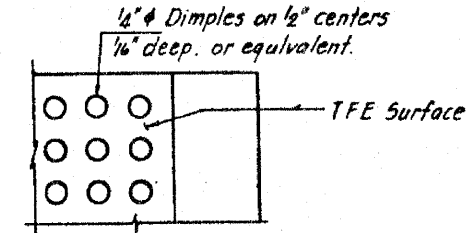
We	Le	Series	Tp	Np	Ts	Ns	Te
7	12	b	3/8	4	3/32	3	2 5/8
9	12	b	3/8	7	3/32	6	4 1/16

Tp - denotes thickness of each elastomeric layer.  
 Np - denotes number of elastomeric layers.  
 Ts - denotes thickness of each steel plate.  
 Ns - denotes number of steel plates.

TYPE II TFE ELASTOMERIC EXPANSION BEARING



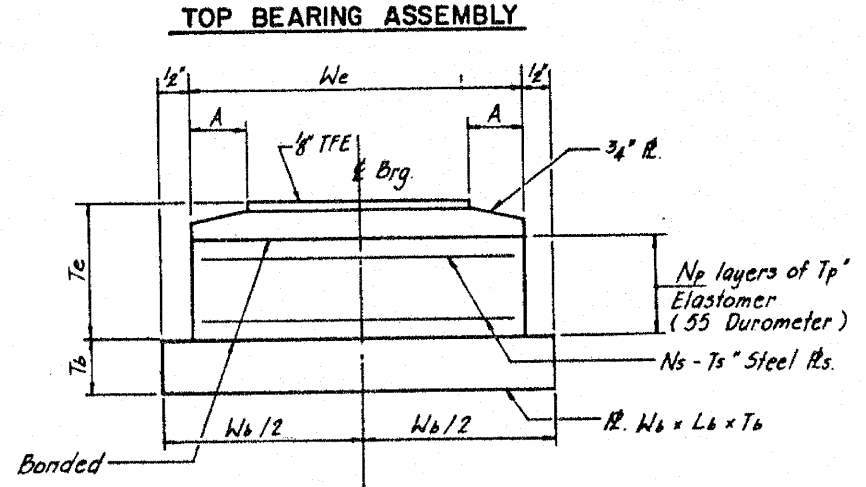
TOP BEARING ASSEMBLY



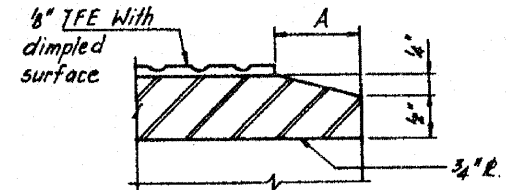
PLAN-TFE SURFACE

TYPE II ELASTOMERIC EXPANSION BEARING SCHEDULE

STRUCTURE NO.	PIER LOCATION	GIRDER NO.	We	Le	SERIES	TOP PLATE				BOTTOM PLATE			Y	He	NO. REQ'D.
						T1	W1	L1	SLOPE %	Tb	Wb	Lb			
016-1115	X1(N)	17-23	9	12	b	1 5/8	11	14	1.6	1 1/4	10	22 1/2	6	7 1/8	7
		GN5-GN8	9	12	b	1 5/8	11	14	1.6	1 1/4	10	22 1/2	6	7 1/8	4
X	B(S)	GN20	7	12	b	1 3/4	8 1/2	14	0.0	1	8	22 1/2	5	5 7/16	1

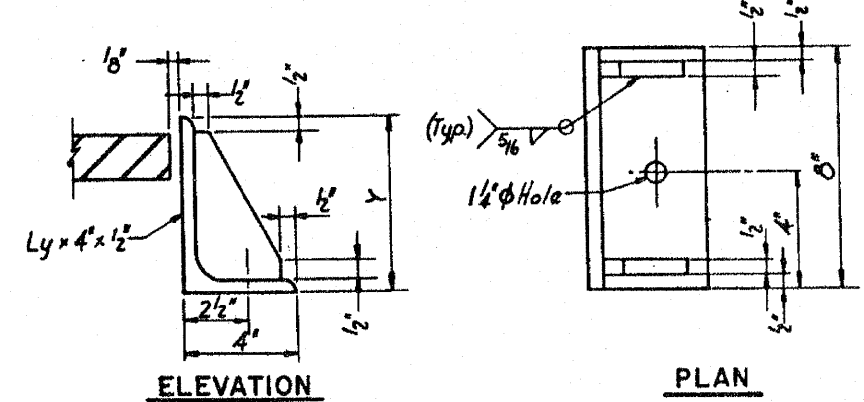


BOTTOM BEARING ASSEMBLY



SECTION THRU TFE

We	6'	7'	9'	10'	11'	12'
A	1"	1"	1 1/2"	1 1/2"	1 1/2"	1 1/2"



ELEVATION

PLAN

SIDE RETAINER