

TYP. EXPANSION BEARINGS FOR CONCRETE PIERS

SLIDING EXPANSION BEARING TABLE

MARK	TOTAL	TOP ϕ	BRONZE ϕ	BOTTOM ϕ	LEAD ϕ	CUT TYPE
E1	80	7x1'x1-5 1/2"	5x1-5 1/2"	6x2 1/2'x2-3"	6x 1/8'x2-3"	
E2	119	7x1'x1-1"	5x1-1"	6x2 1/2'x1-10"	6x 1/8'x1-10"	
E3	13	6 1/2'x1'x1-0"	4 1/2'x1-0"	6x2 1/2'x1-9"	6x 1/8'x1-9"	
E4	6	6 1/2'x1'x0-10"	4 1/2'x0-10"	6x2'x1-7"	6x 1/8'x1-7"	
E5	9	7 1/2'x1'x1-5 1/2"	5x1-5 1/2"	6x2 1/2'x2-3"	6x 1/8'x2-3"	
E11	60	8x1'x1-1"	5x1-1"	6x2 1/2'x1-10"	6x 1/8'x1-10"	
E12	1	8x1'x1-5 1/2"	5x1-5 1/2"	6x2 1/2'x2-3"	6x 1/8'x2-3"	
E13	20	8x1'x1-2"	5x1-2"	6x2 1/2'x1-2"		
E15	2	7x1'x1-5 1/2"	5x1-5 1/2"	6x2 1/2'x2-3 1/2"	6x 1/8'x2-3 1/2"	

BEARINGS AT PIER #1

SPAN 2	
BEAM	TYPE
1	E12
2-16	E11

BEARINGS AT PIER #5

SPAN 5	
BEAM	TYPE
1, 2, 2, 3	E2
4-17	E11

BEARINGS AT PIER #5

SPAN 6	
BEAM	TYPE
1-15	E11

BEARINGS AT PIER #9

SPAN 10	
BEAM	TYPE
1-20	E2

BEARINGS AT PIER #8

SPAN 8	
BEAM	TYPE
1-20	E13

BEARINGS AT PIER #20

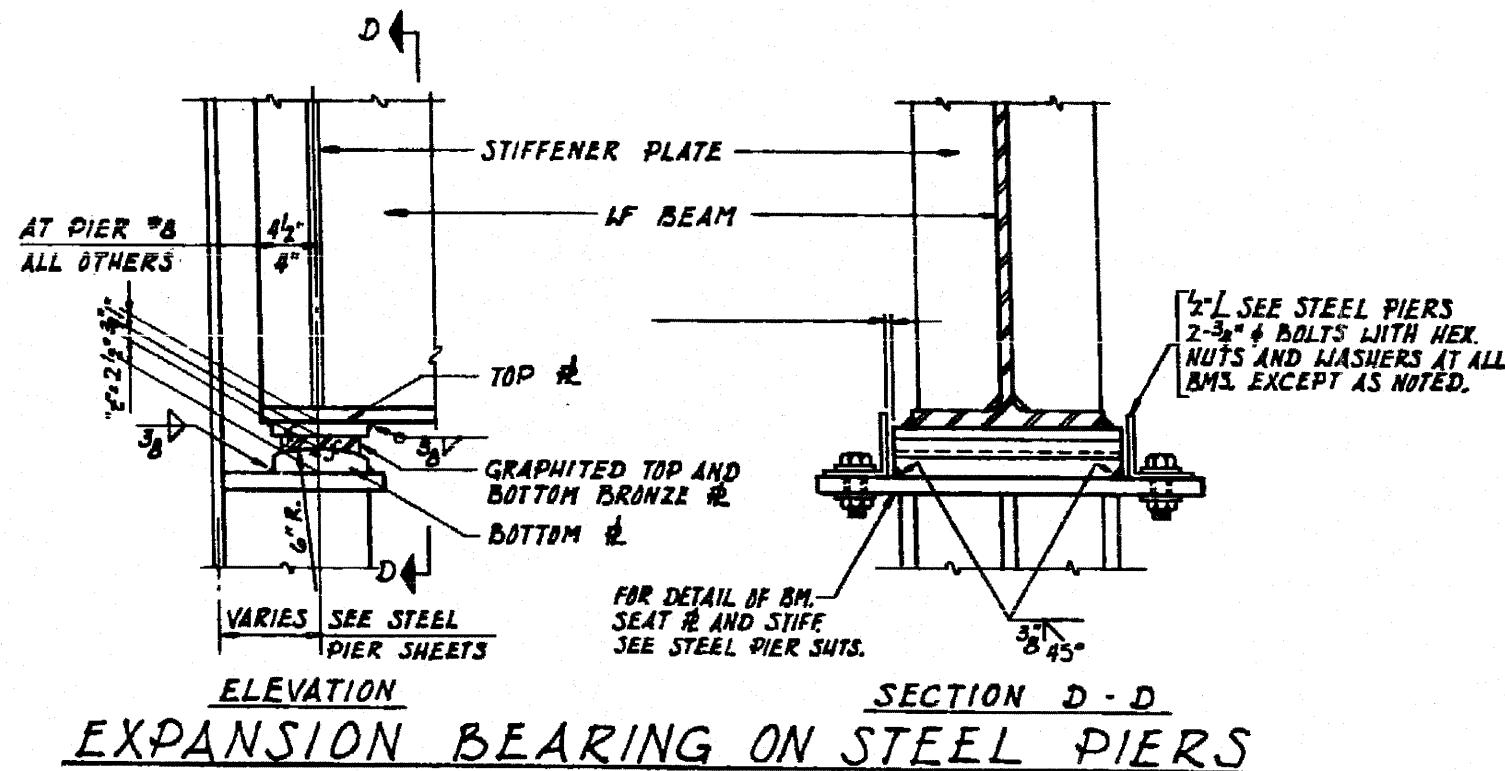
SPAN 20	
BEAM	TYPE
2, 3	E15

BEARINGS AT PIER 20

SPAN 21	
BEAM	TYPE
1 & 16	E5
2-15	E1

BEARINGS AT PIER #16

SPAN 16	
BEAM	TYPE
1	E1
2-10, 20	E2
11-15	E3
14-19	E4



EXPANSION BEARING ON STEEL PIERS