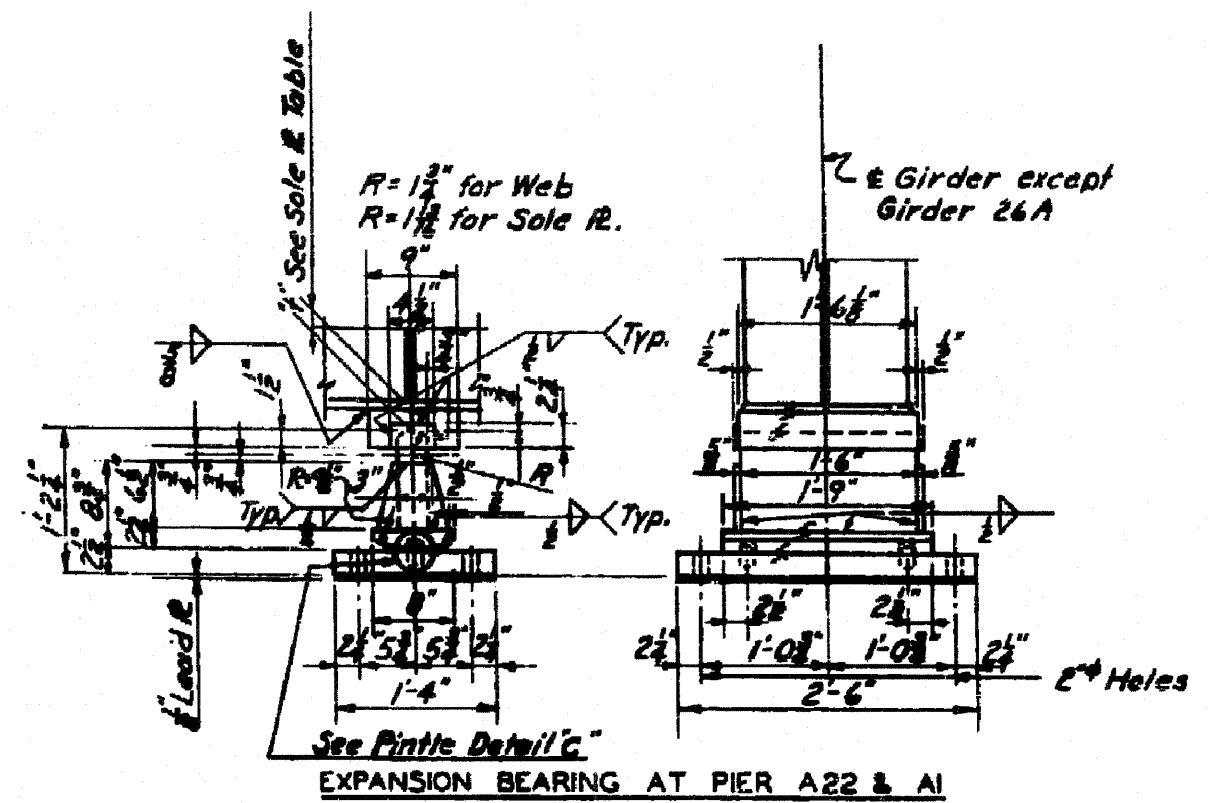
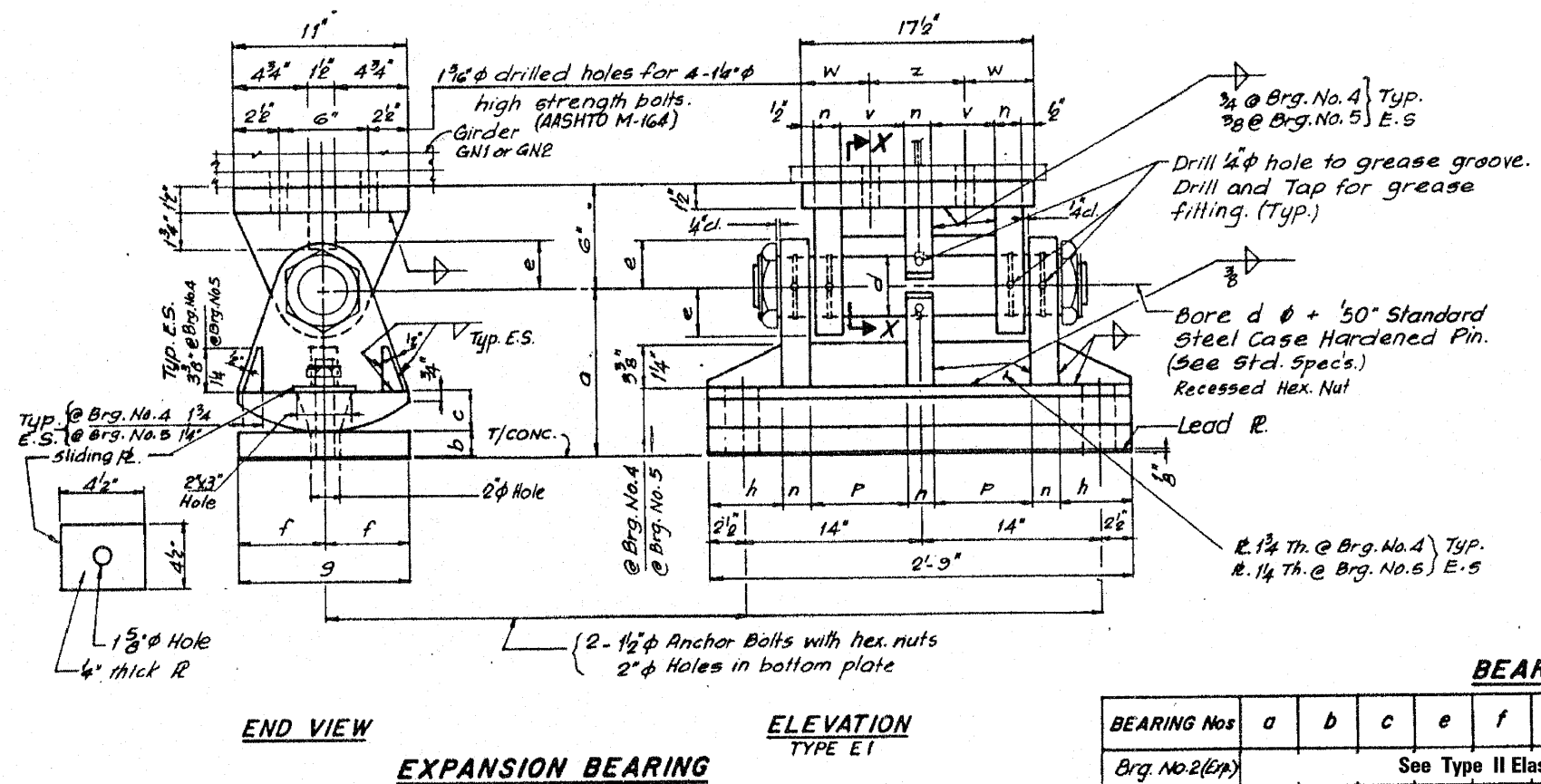


EXPANSION BEARING AT PIER 2

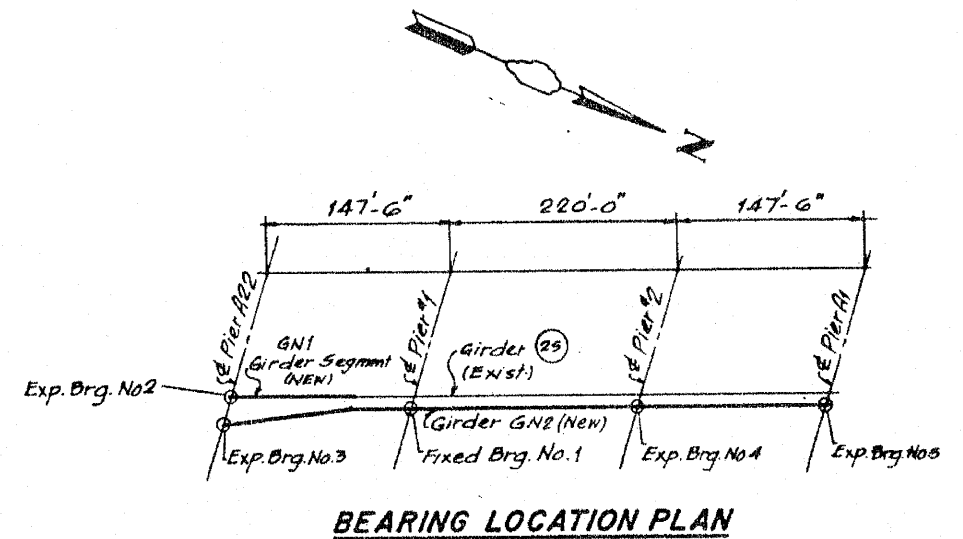


EXPANSION BEARING AT PIER A22 & A1



END VIEW
EXPANSION BEARING

ELEVATION
TYPE E1



BEARING LOCATION PLAN

BEARING DIMENSION TABLE

BEARING Nos	a	b	c	e	f	g	h	n	p	v	w	z	ANCH BOLT		PIN & PIN NUT			
													K	M	T	l	d	t
Brq. No. 2 (Exp)	See Type II Elastomeric Bearing Schedule												-	-	-	-	-	-
Brq. No. 3 (Exp)	See Type II Elastomeric Bearing Schedule												-	-	-	-	-	-
Brq. No. 4 (Exp)	12 1/4"	2 1/4"	2 3/4"	3 1/4"	6"	12"	6 1/4"	1 3/4"	7 1/8"	5 1/8"	5 1/4"	7 1/8"	8"	5 1/8"	1 1/2"	1'-0 1/2"	5"	1 1/2"
Brq. No. 5 (Exp)	8 1/16"	1 1/4"	2 1/16"	2 3/8"	4 1/2"	9"	6 3/4"	1 1/4"	7 1/8"	6 3/8"	4 1/16"	7 1/8"	6"	3 3/4"	1 1/2"	1'-7 1/8"	4 1/4"	1 3/8"