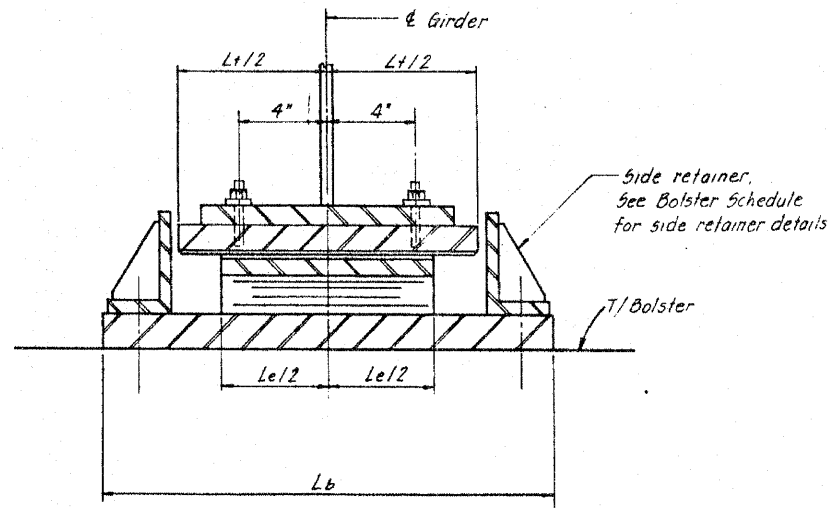


TYPICAL ELEVATION



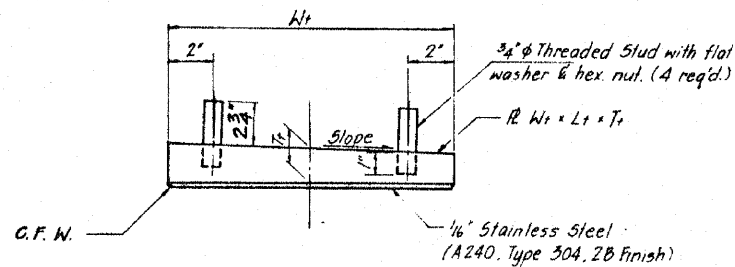
SECTION A - A

TABLE OF DIMENSIONS - TYPE II ELASTOMERIC EXPANSION BEARINGS

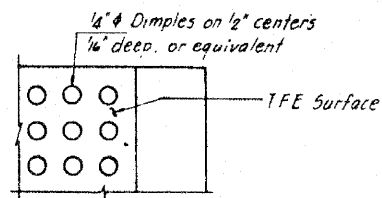
W <sub>e</sub>	L <sub>e</sub>	Series	T <sub>p</sub>	N <sub>p</sub>	T <sub>s</sub>	N <sub>s</sub>	T <sub>e</sub>
11	16	a	1/8	4	1/8	3	3/4

T<sub>p</sub> - denotes thickness of elastomeric layer.  
 N<sub>p</sub> - denotes number of elastomeric layers.  
 T<sub>s</sub> - denotes thickness of steel plate.  
 N<sub>s</sub> - denotes number of steel plates.

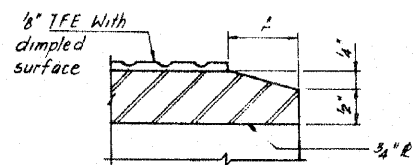
**TYPE II TFE ELASTOMERIC EXPANSION BEARING**



TOP BEARING ASSEMBLY



PLAN-TFE SURFACE

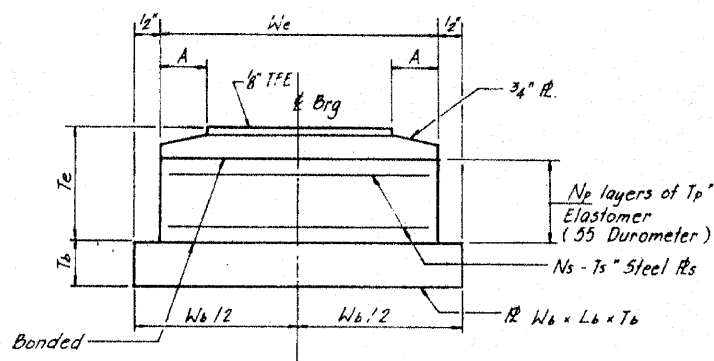


SECTION THRU TFE

Note: The 1/8" TFE sheet shall be bonded directly to the top steel plate with a two-component, medium viscosity epoxy resin, conforming to the requirements of the Federal Specification MMM-A-134, Type I. The bond agent shall be applied on the full area of the contact surface.

Bonding of 1/8" TFE sheet during vulcanizing process will be permitted provided the process and method of adjusting assembly height is approved by the Engineer.

W <sub>e</sub>	6"	7"	9"	10"	11"	12"
A	1"	1"	1 1/2"	1 1/2"	1 1/2"	1 1/2"



BOTTOM BEARING ASSEMBLY

TYPE II ELASTOMERIC EXPANSION BEARING SCHEDULE

STRUCTURE NO.	PIER LOCATION	GIRDER	W <sub>e</sub>	L <sub>e</sub>	SERIES	TOP PLATE			SLOPE %	BOTTOM PLATE			NO REQ'D	REMARKS
						T <sub>i</sub>	W <sub>i</sub>	L <sub>i</sub>		T <sub>b</sub>	W <sub>b</sub>	L <sub>b</sub>		
016-1070														
	22 (N)	GN1, GN2	11	16	a	2 1/4	12	18	3.0	1	12	26 1/2	2	N, B, ⊕

Remarks: N - New bearing for roadway widening.  
 B - Bolster required; see Bolster Details.  
 ⊕ - Pier 22 is from STRUCTURE No. 016-1115.