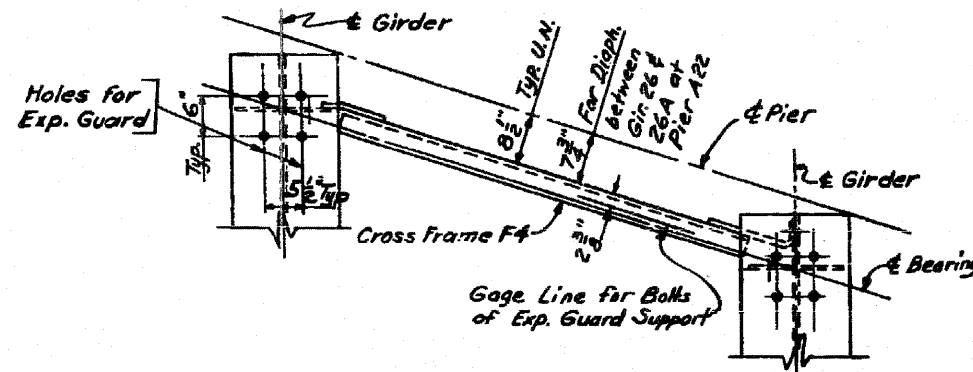
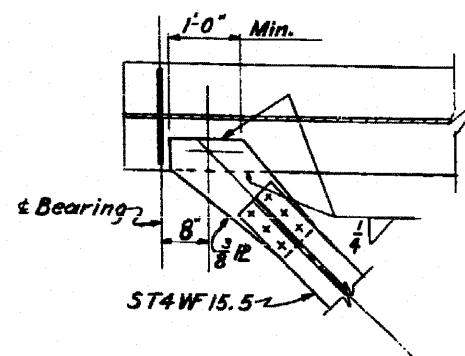
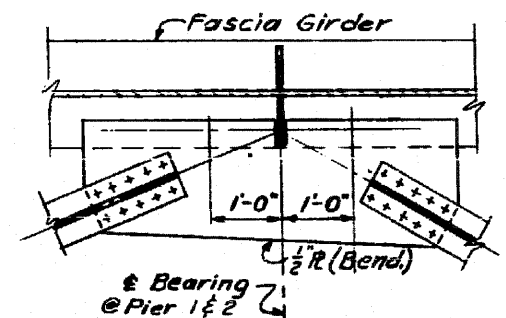


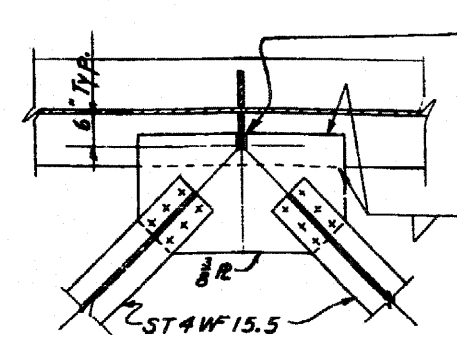
CROSS FRAME - F4 SECTION FF



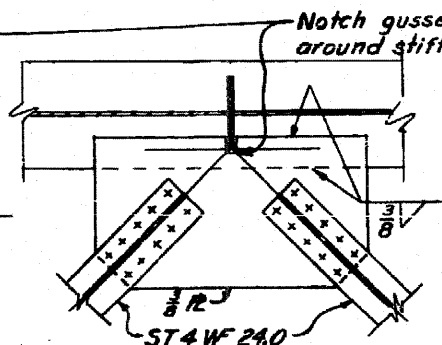
VIEW A-A



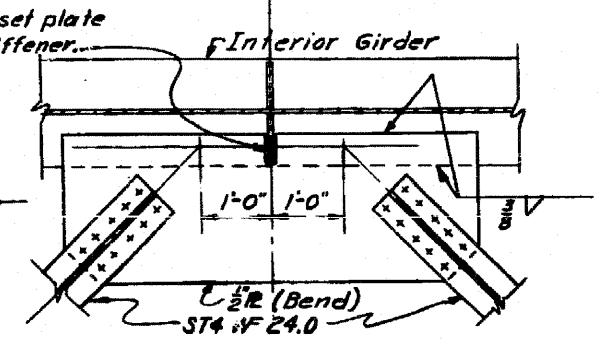
BEARING AT PIERS A22 & A1



POS. MOMENT REGION



NEG. MOMENT REGION



BEARING AT PIERS 1 & 2

LATERAL BRACING DETAILS

FILE NAME =	USER NAME = pgs11	DESIGNED - AMR	REVISED -	STATE OF ILLINOIS DEPARTMENT OF TRANSPORTATION	CROSS FRAME & LATERAL BRACING DETAILS - LOCATION 4 STRUCTURE NO. 016-1114	F.A.I. RTE. 94	SECTION 2010-127-BP	COUNTY COOK	TOTAL SHEETS 160	SHEET NO. 92		
	PLOT SCALE = 1:8000 ' / IN.	CHECKED - JMH	REVISED -			SCALE: NTS	SHEET NO. 3 OF 4 SHEETS	STA. TO STA.	CONTRACT NO. 60N01			
	PLOT DATE = 3/28/2011	DATE - MARCH, 2011	REVISED -			ILLINOIS FED. AID PROJECT						