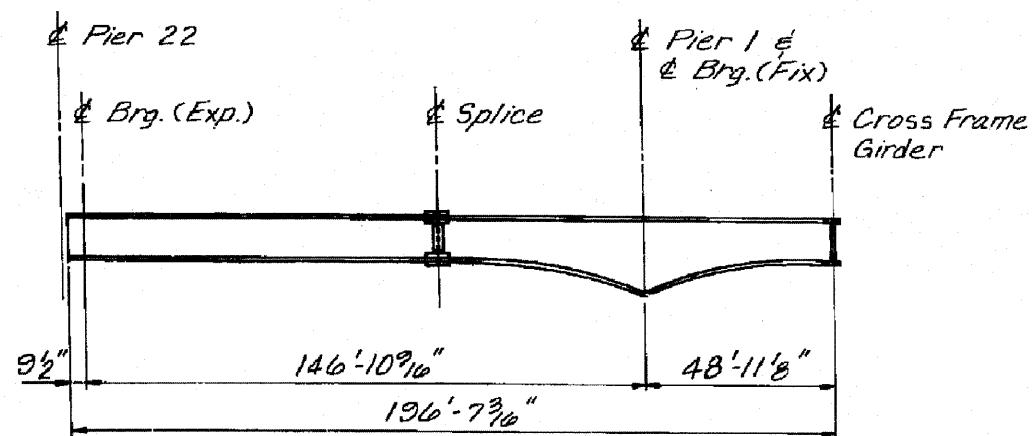


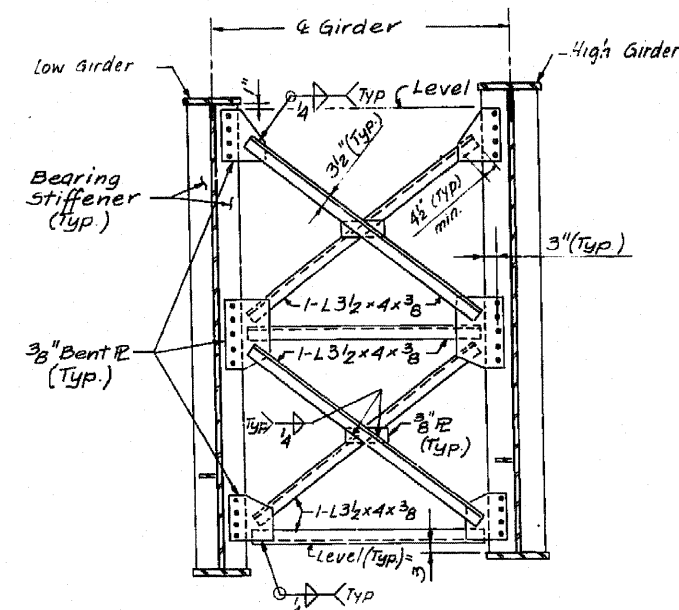
GIRDER ELEVATION
Girders G1 & G3



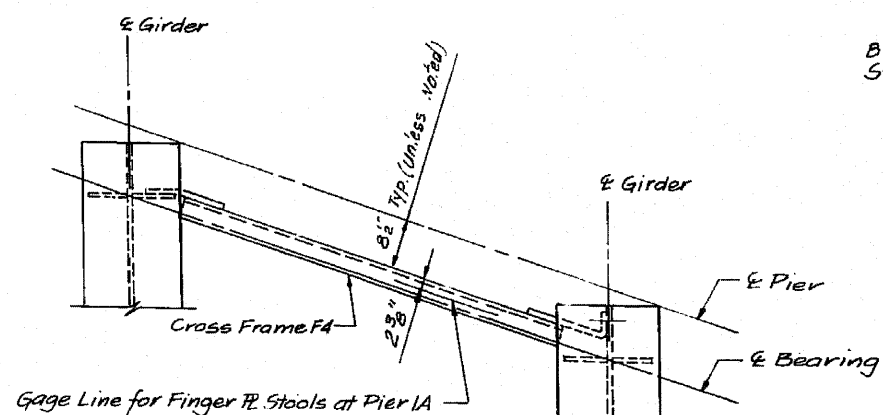
GIRDER ELEVATION
Girder G2
(Looking West)

Dimension Table					
Location	Girder	a	b	c	d
Spans 1-3	G1	147'-6 7/8"	220'-0"	147'-6"	516'-7 7/8"
Spans 1-3	G3	146'-2 5/8"	218'-2"	147'-3"	513'-2 5/8"

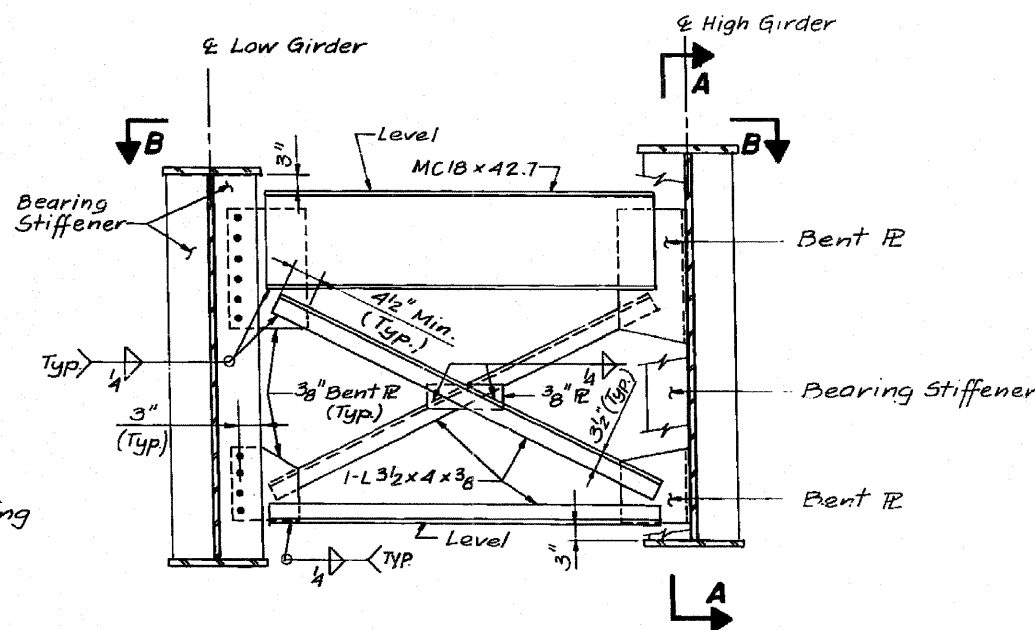
Note:
See Structure No. 016-1070 &
016-1114 for Remaining Girder
Dimensions and Details.



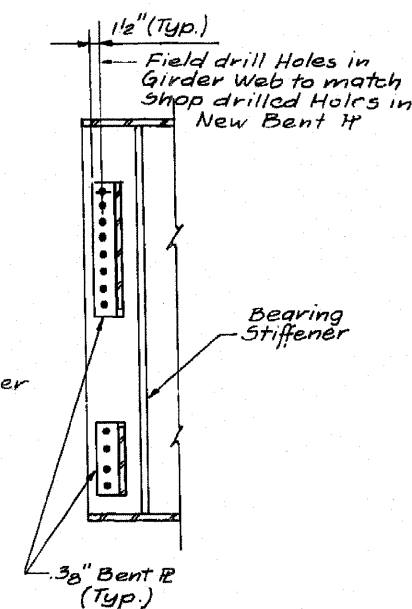
CROSS FRAME-F1 AND F11



VIEW B-B



CROSS FRAME-F4 AND F14



SECTION A-A