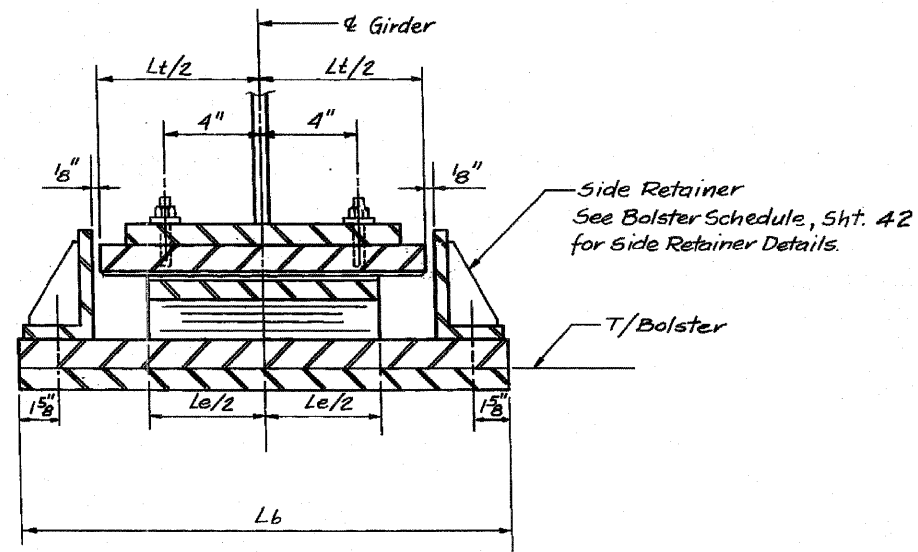
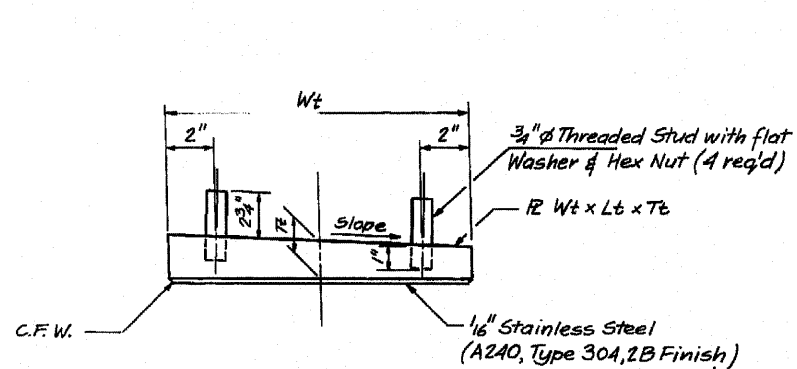


**TYPICAL ELEVATION**



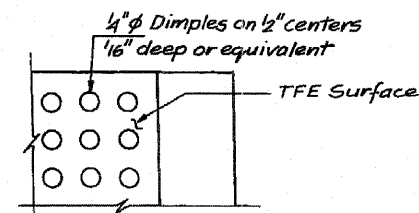
**SECTION A-A**

**TYPE II TFE ELASTOMERIC EXPANSION BEARING**

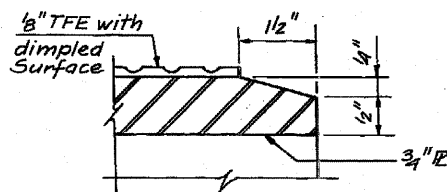


**TOP BEARING ASSEMBLY**

C.F.W. denotes continuous fillet weld.



**PLAN-TFE SURFACE**

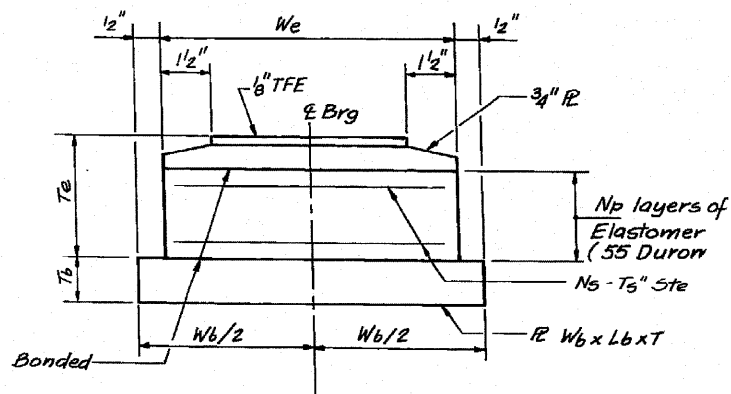


**SECTION THRU TFE**

**TABLE OF DIMENSIONS-TYPE II ELASTOMERIC EXPANSION BEARINGS**

We	Le	Series	Tp	Np	Ts	Ns	Te
11	16	d	1/2	7	1/8	6	5/8

Tp - denotes thickness of elastomeric layer.  
 Np - denotes number of elastomeric layers.  
 Ts - denotes thickness of steel plate.  
 Ns - denotes number of steel plates.



**BOTTOM BEARING ASSEMBLY**

**TYPE II ELASTOMERIC EXPANSION BEARING SCHEDULE**

STRUCTURE NO	PIER LOCATION	GIRDER	W <sub>e</sub>	L <sub>e</sub>	SERIES	TOP PLATE			BOTTOM PLATE			NO. REQ'D	H <sub>E</sub>	REMARKS	
						T <sub>t</sub>	W <sub>t</sub>	L <sub>t</sub>	SLOPE %	T <sub>b</sub>	W <sub>b</sub>				L <sub>b</sub>
016-1066	22 (N)	G1,G2,G3	11	16	d	1 7/8	12	18	—	1 1/2	12	26 1/2	3	8 1/2	N, ⊕

Remarks: N - New bearing for roadway widening.  
 ⊕ - Bolster req'd.