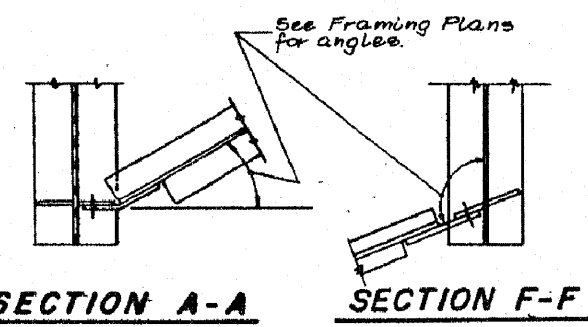
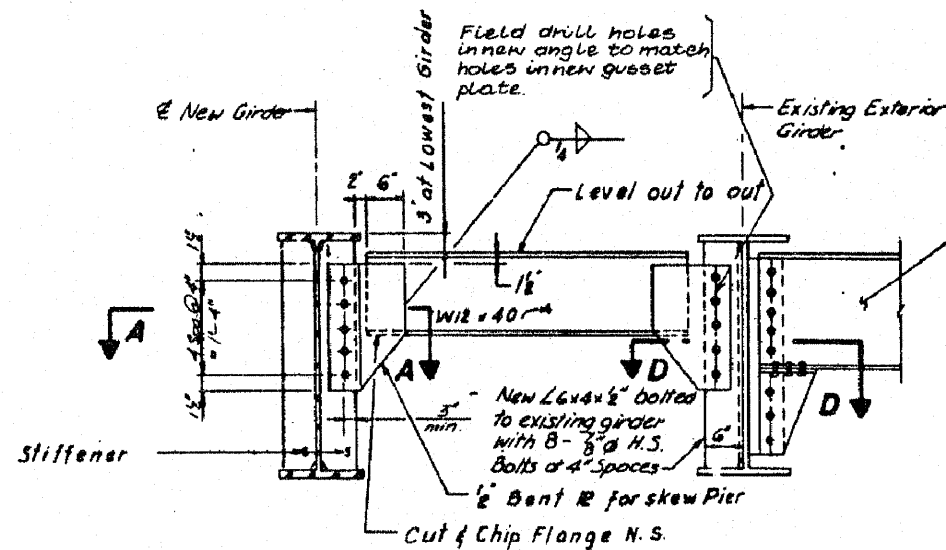


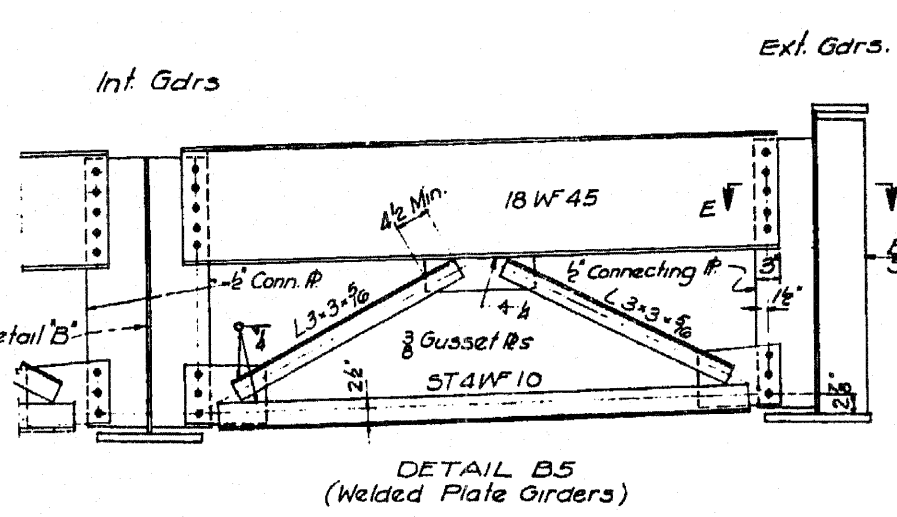
D-1
END DIAPHRAGM



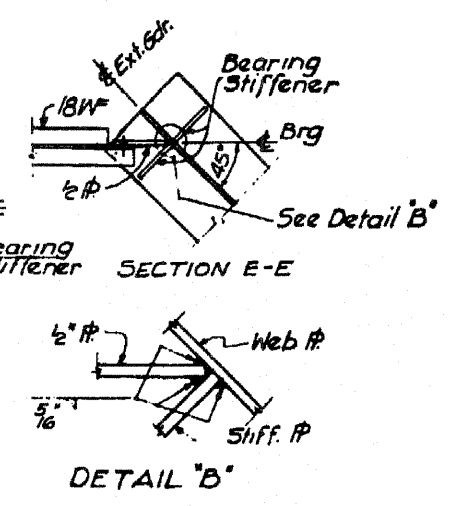
SECTION A-A **SECTION F-F**



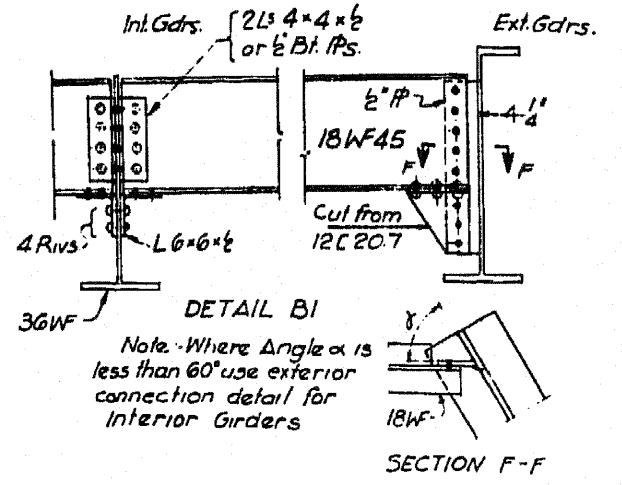
D-2
END DIAPHRAGM



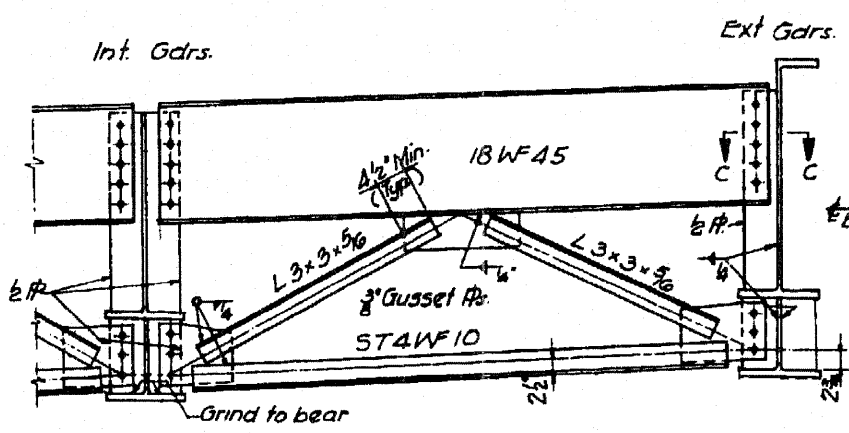
DETAIL B5
(Welded Plate Girders)



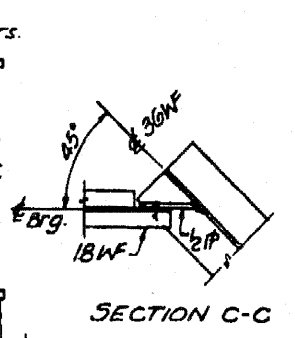
DETAIL B'



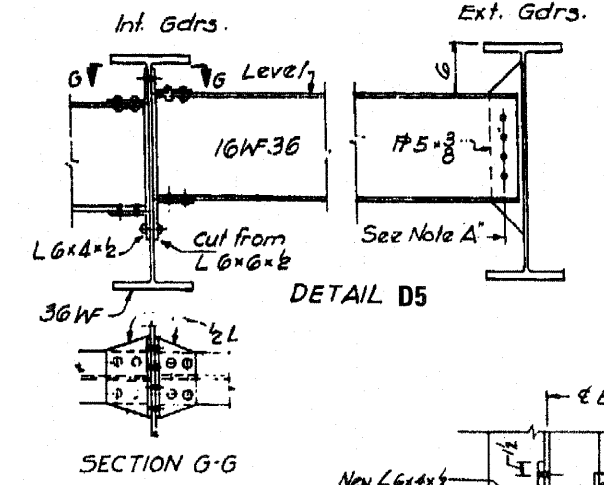
DETAIL B1



DETAIL B4

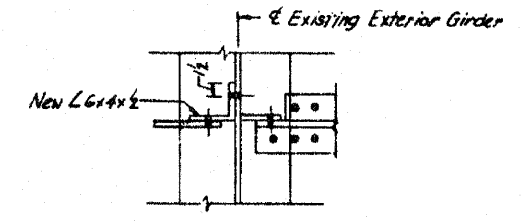


SECTION C-C

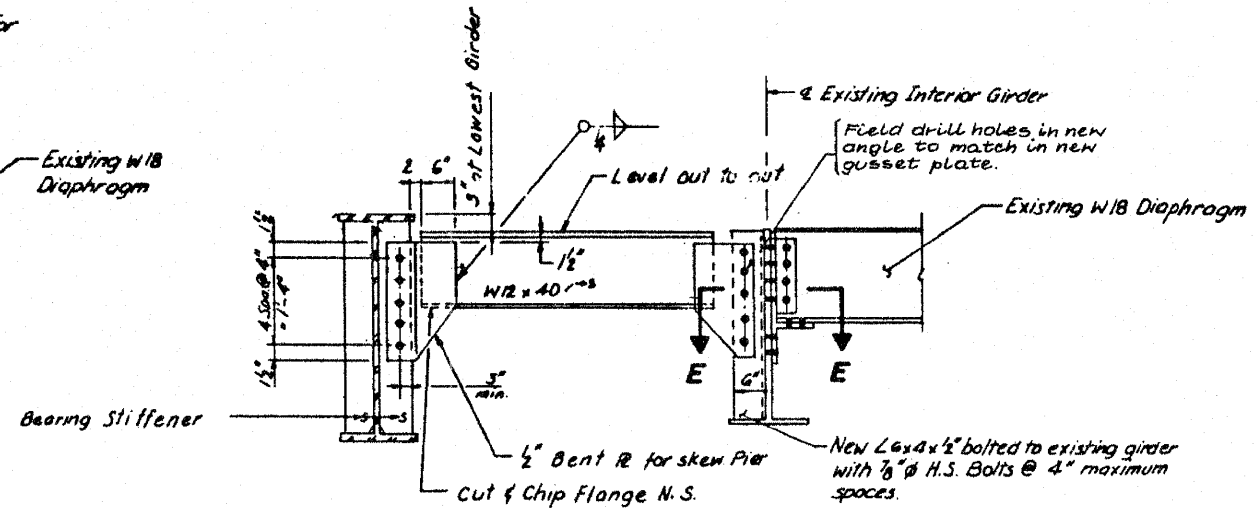


DETAIL D5

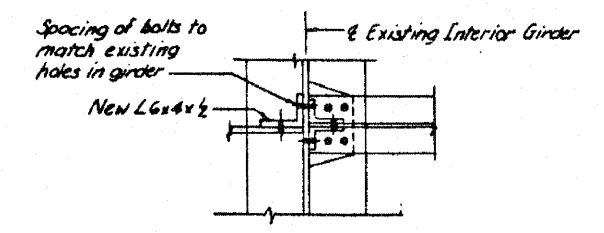
SECTION G-G



SECTION D-D



D-4
END DIAPHRAGM



SECTION E-E

FILE NAME =	USER NAME = rgo11	DESIGNED - AMR	REVISED -	STATE OF ILLINOIS DEPARTMENT OF TRANSPORTATION	DIAPHRAGM & CROSS FRAME DETAILS - LOCATION 6 STRUCTURE NO. 016-1140	F.A.I. RT.E.	SECTION	COUNTY	TOTAL SHEETS	SHEET NO.
PLOT SCALE = 1:2000 / 1" =	DRAWN - AMR	REVISED -	94			2010-127-BP	COOK	160	106	
PLOT DATE = 3/29/2011	CHECKED - JMH	REVISED -	CONTRACT NO. 60N01							
	DATE - MARCH, 2011	REVISED -	ILLINOIS FED. AID PROJECT							
				SCALE: NTS	SHEET NO. 6 OF 10 SHEETS	STA.	TO STA.			