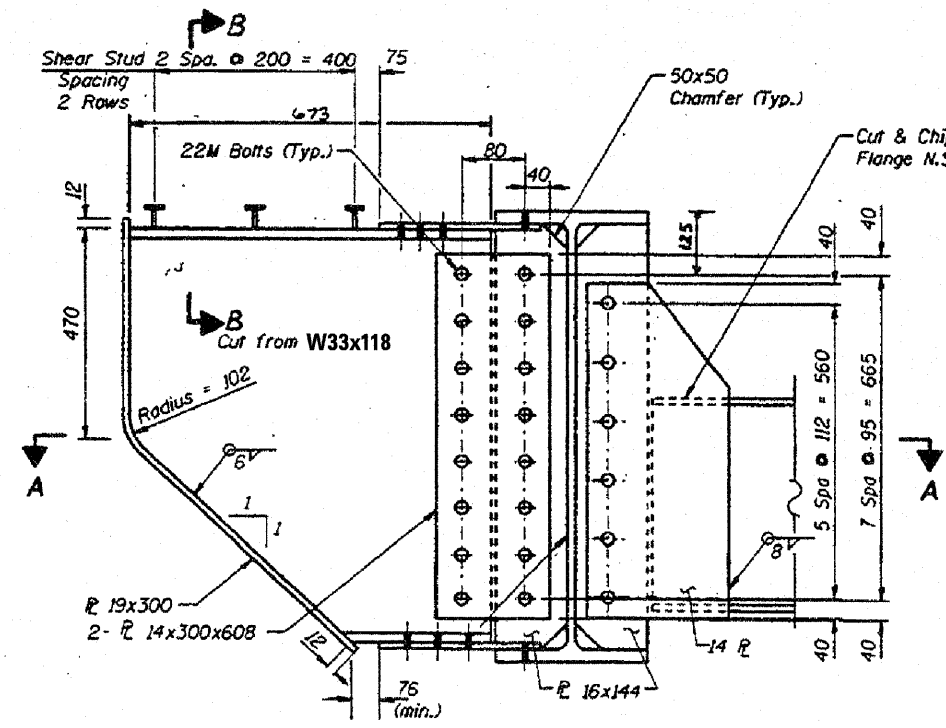
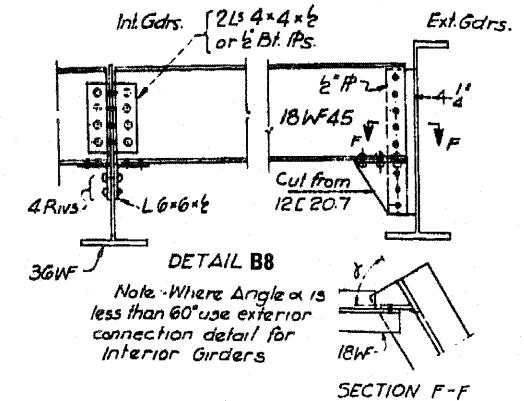
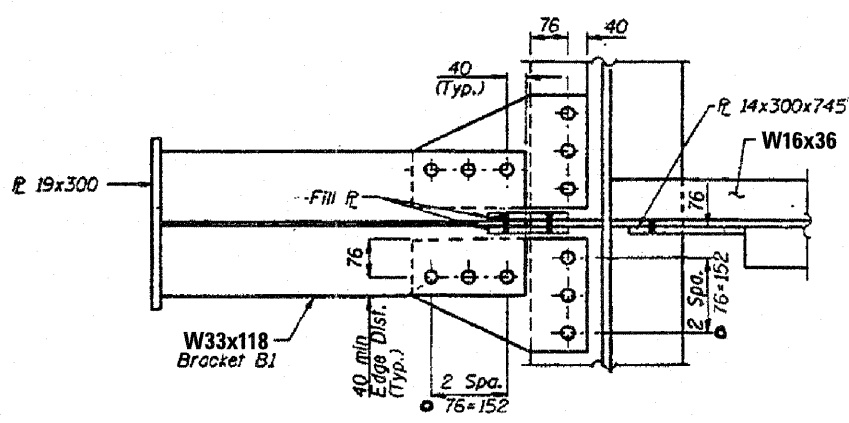


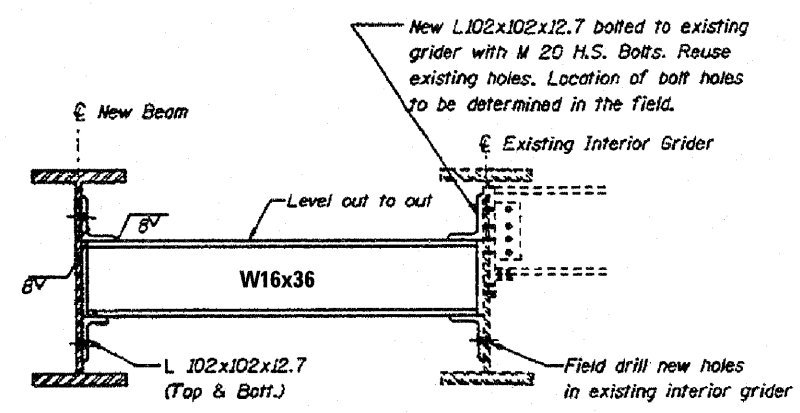
END DIAPHRAGM DETAIL
(Showing connection to existing beam)



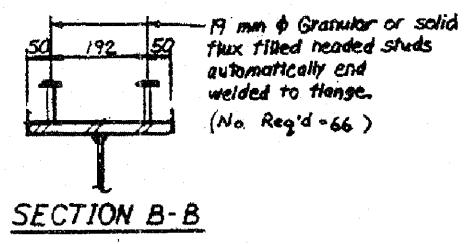
DIAPHRAGM D1 & BRACKET B1
B1 - 11 Required
D1 - 64 Required



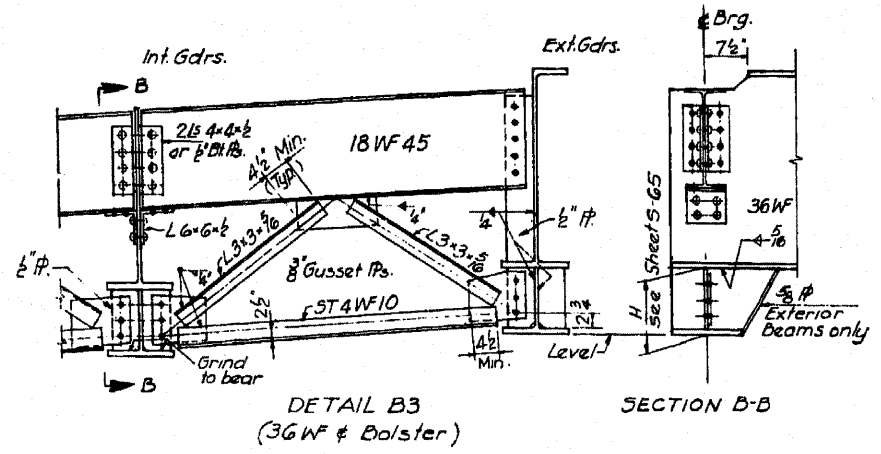
SECTION A-A



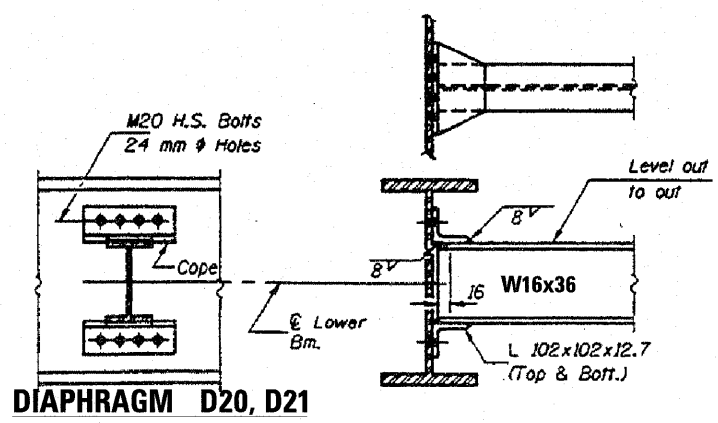
INTERIOR DIAPHRAGM DETAIL
(Showing connection to existing beam)



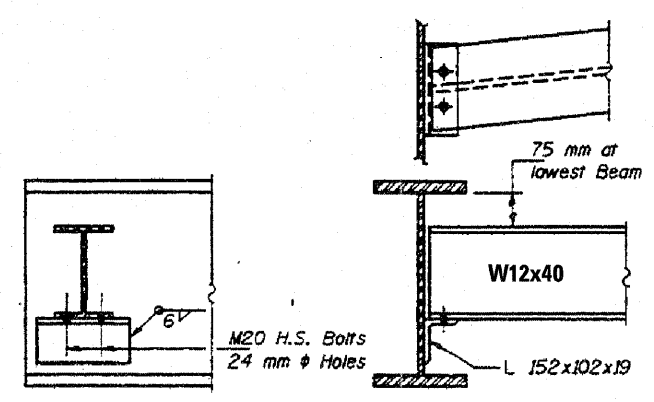
SECTION B-B



NOTES:
1. All dimensions are in millimeters (mm) except as noted.



DIAPHRAGM D20, D21
1 Required for Each Diaphragm. No. Listed



DIAPHRAGM D2, D3, D12, D13, D22, D23, D30, D31
D2 - 8 Required
D3, D12, D13, D22, D23, D31 - 2 Required Each
D30 - 1 Required

FILE NAME =	USER NAME = rgal1	DESIGNED - AMR	REVISED -	STATE OF ILLINOIS DEPARTMENT OF TRANSPORTATION	DIAPHRAGM & CROSS FRAME DETAILS - LOCATION 8 STRUCTURE NO. 016-1059		F.A.I. RTE. 94	SECTION 2010-127-BP	COUNTY COOK	TOTAL SHEETS 160	SHEET NO. 124	
PLOT SCALE = 1:2000 / 1" IN.	CHECKED - JMH	DATE - MARCH, 2011	REVISED -		SCALE: NTS	SHEET NO. 7 OF 9 SHEETS	STA. TO STA.	CONTRACT NO. 60N01		ILLINOIS FED. AID PROJECT		
PLOT DATE = 3/28/2011	DATE -	REVISED -	REVISED -									