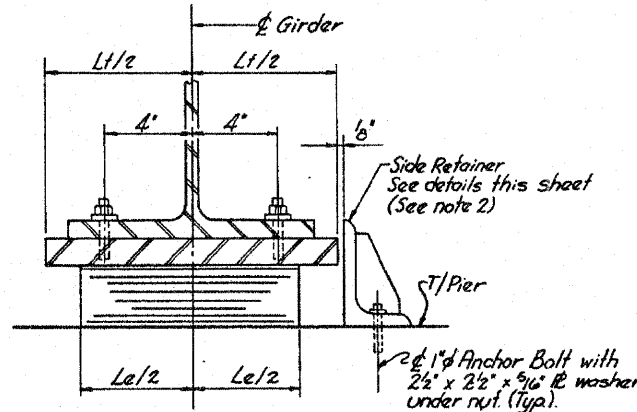
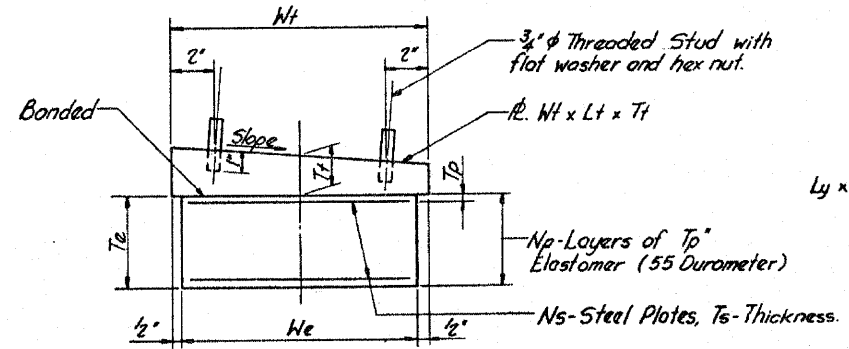


TYPICAL ELEVATION

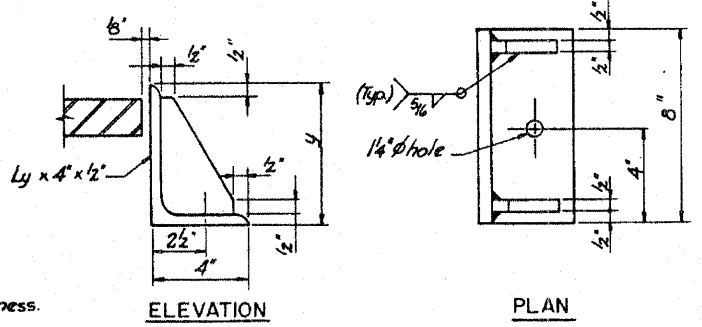


SECTION A-A

TYPE I ELASTOMERIC EXPANSION BEARING



BEARING ASSEMBLY



SIDE RETAINER PLAN

TABLE OF DIMENSIONS - TYPE I ELASTOMERIC EXPANSION BEARINGS

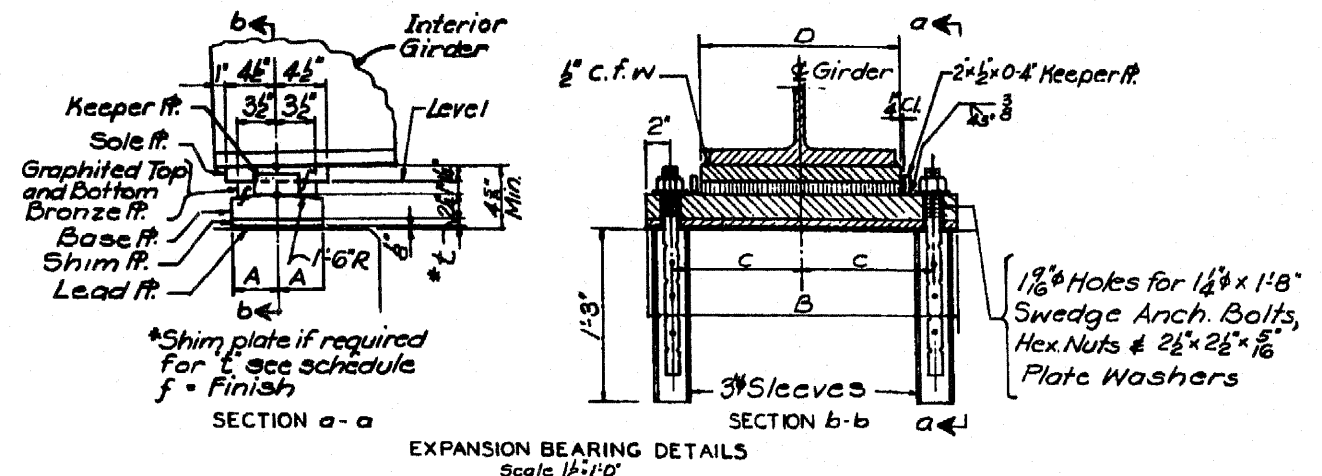
We	Le	Series	TP	Np	Ts	Ns	Te
7	12	c	3/8	5	3/32	4	2 1/4
11	16	b	1/2	5	1/8	4	3
11	16	a	1/2	7	1/8	6	4 1/4
9	12	a	3/8	5	3/32	4	2 1/4
9	12	b	3/8	7	3/32	6	3 1/4
10	14	o	7/16	5	1/8	4	2 11/16
10	14	b	7/16	6	1/8	5	3 1/4
10	14	d	7/16	8	1/8	7	4 3/8

T_p - denotes thickness of each elastomeric layer.
 N_p - denotes number of elastomeric layers.
 T_s - denotes thickness of each steel plate.
 N_s - denotes number of steel plates.

TYPE I ELASTOMERIC EXPANSION BEARING SCHEDULE

STRUCTURE NO.	PIER LOCATION	GIRDER	We	Le	SERIES	TOP PLATE				Y	HE	NO. REQ'D.	REMARKS
						Tt	Wt	Lt	SLOPE %				
016-1047	28(S)	G73-G77	7	12	c	2	B	14	4.1	6	4 1/4	2	R, E
		G74-G76	7	12	c	2	B	14	4.1	6	4 1/4	3	R
	26(S)	G63, G67	7	12	c	2	B	14	4.1	6	4 1/4	2	R, E
		G64-G66	7	12	c	2	B	14	4.1	6	4 1/4	3	R
	26(N)	G58, G62	9	12	b	1 1/2	10	14	4.1	6	4 1/4	2	R, E
		G59-G61	9	12	b	1 1/2	10	14	4.1	6	4 1/4	3	R
	24(S)	G54-G57	10	14	o	1 3/4	11	17	4.0	6	4 7/16	4	R, E (G57)
		G41	10	14	o	1 3/4	11	17	4.0	6	4 7/16	1	N, E
	24(N)	G47-G51	10	14	d	2	11	16	4.0	7	6 3/8	5	R, E (G51)
		G42	11	16	d	2	11	16	4.0	7	6 3/8	1	N, E
22(N)	G80-G81	10	14	b	2	11	16	4.5	6	5 1/4	6	R	
	G83, G84	11	16	b	1 7/8	12	18	4.5	6	4 7/8	2	N, E	

Remarks: N - New bearing for roadway widening.
 E - Exterior girder: side retainer required at inside face.
 R - Replacement bearing.



MARK	DIMENSIONS				REMARKS
	A	B	C	D	
E2	4"	1'-10"	9 1/4"	1'-1"	Typical for 12" Flange

Note: Use typical bearings mark E1 and E2 unless otherwise noted.