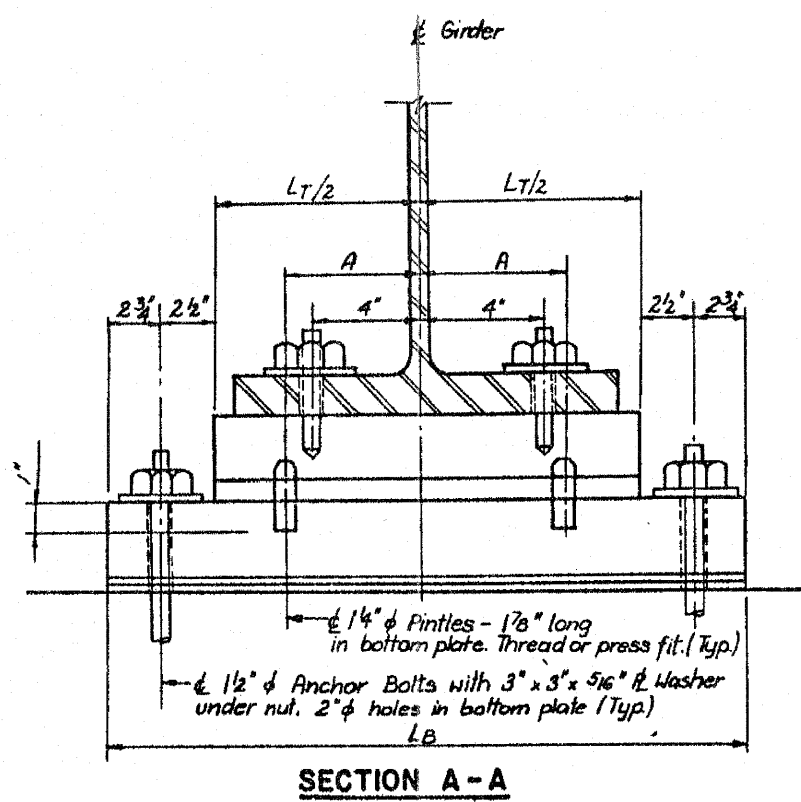


ELEVATION

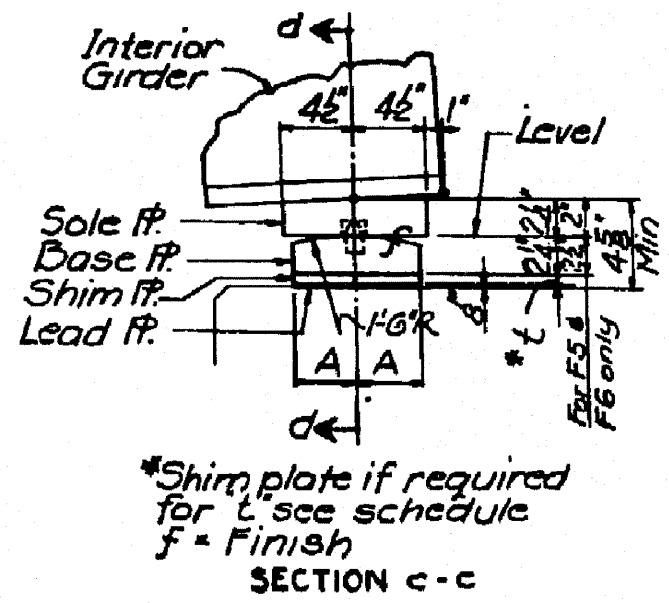


SECTION A-A

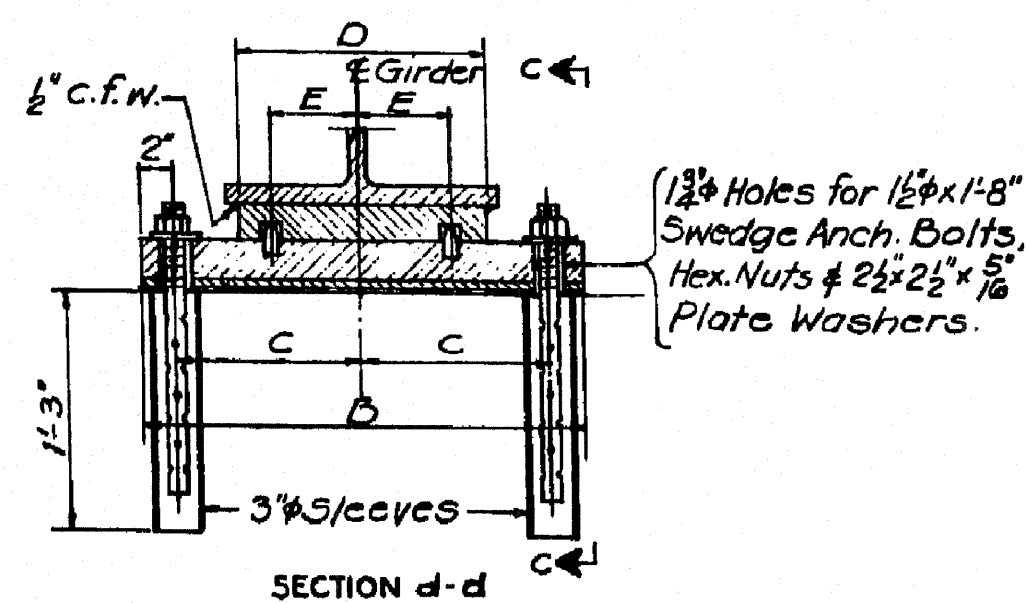
**FIXED BEARING - TYPE F1**

**FIXED BEARING SCHEDULE**

STRUCTURE NO.	PIER LOCATION	GIRDER NO.	B.IG. TYPE	NO. REQD.	T <sub>T</sub> "	L <sub>T</sub> "	T <sub>B</sub> "	L <sub>B</sub> "	A"	H"
016-1047	23(S)	G47	F1	1	2 1/2	17	2	27 1/2	5	4 5/8
	22(S)	G51	F1	1	2 1/2	17	2	27 1/2	5	4 5/8



SECTION c-c



SECTION d-d

**FIXED BEARING DETAILS**

FIXED BEARING SCHEDULE						
MARK	DIMENSIONS					REMARKS
	A	B	C	D	E	
F	4"	2'-3"	11 1/2"	1'-3"	5 1/2"	Typical for 16" flange
F2	4"	1'-10 1/2"	9 1/2"	11"	3 1/2"	Typical for 12" flange
F5	6"	2'-3"	11 1/2"	1'-3"	5 1/2"	Girder G47, Pier 23
F7	4 1/2"	2'-3"	11 1/2"	1'-3"	5 1/2"	Girder G51, Pier 23