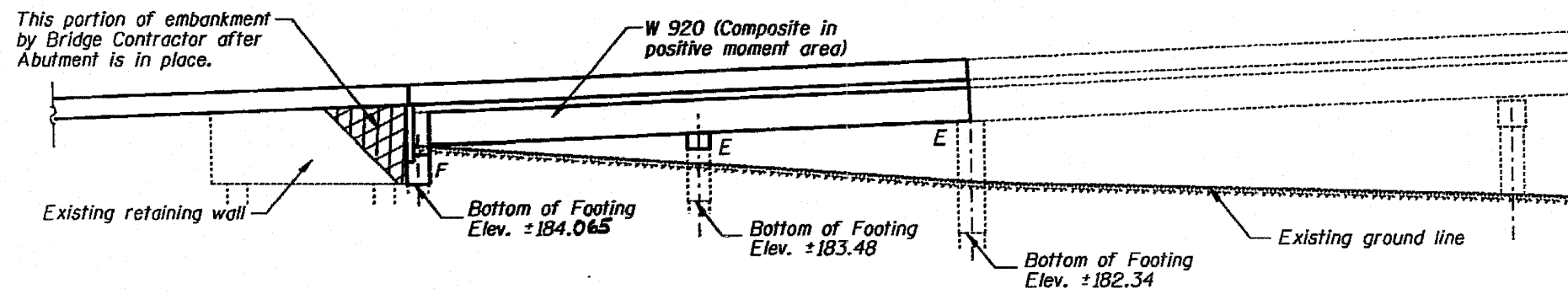
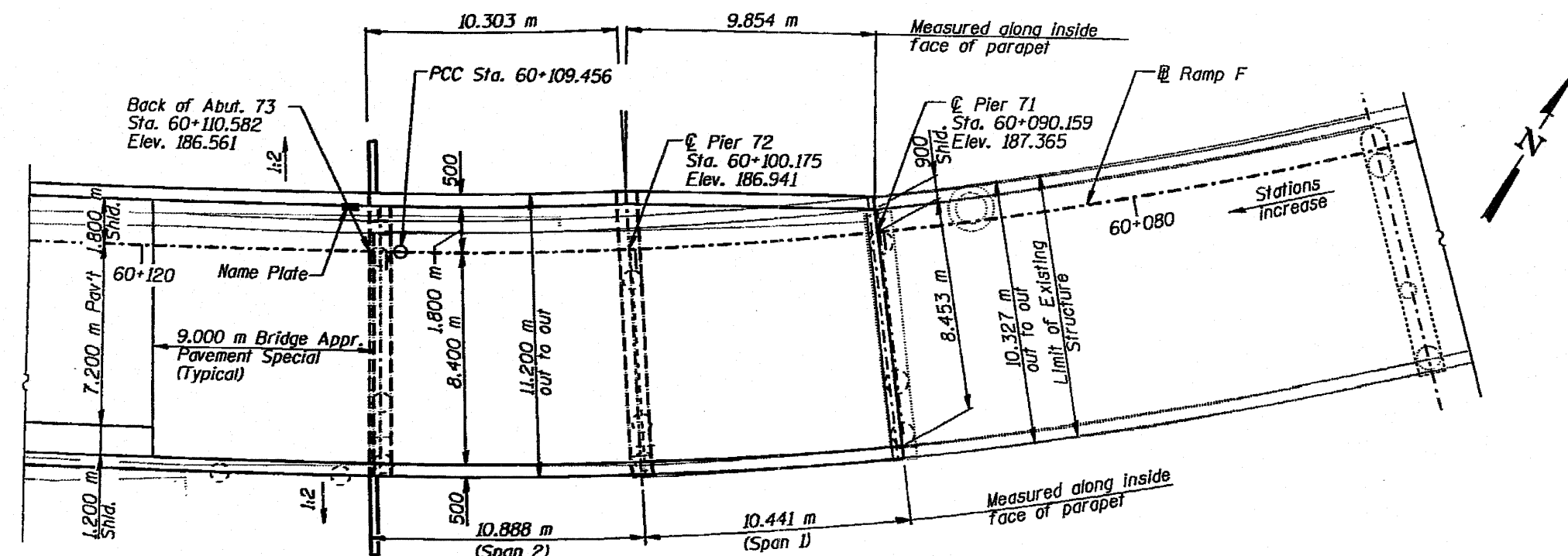


ELEVATION
PIERS 22 TO 71



ELEVATION
PIERS 71 TO 73



PLAN
PIERS 71 TO 73

FILE NAME =	USER NAME = r9011	DESIGNED - AMR	REVISED -	STATE OF ILLINOIS DEPARTMENT OF TRANSPORTATION	GENERAL PLAN & ELEVATION - LOCATION 10 STRUCTURE NO. 016-1062			F.A.I. RTE. 94	SECTION 2010-127-BP	COUNTY COOK	TOTAL SHEETS 160	SHEET NO. 137
	PLOT SCALE = 1/8" = 1' IN.	CHECKED - JMH	REVISED -		SCALE: NTS	SHEET NO. 2 OF 12 SHEETS	STA. TO STA.	CONTRACT NO. 60N01				
PLOT DATE = 3/28/2011	DATE - MARCH, 2011	REVISED -	REVISED -					ILLINOIS FED. AID PROJECT				