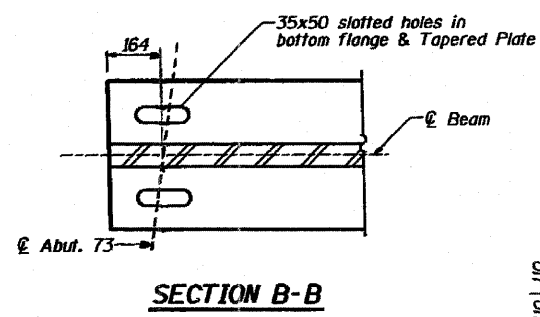
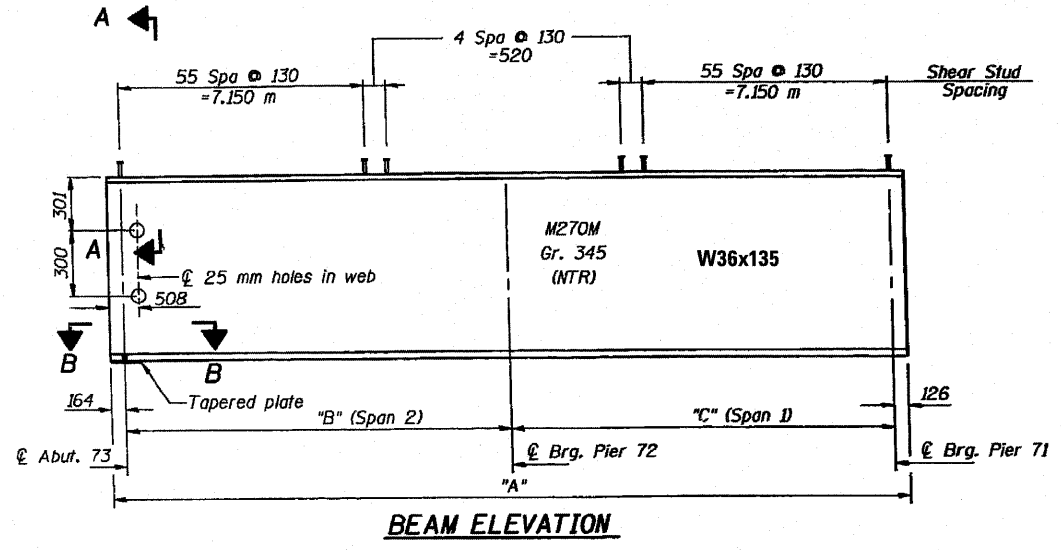


LEGEND

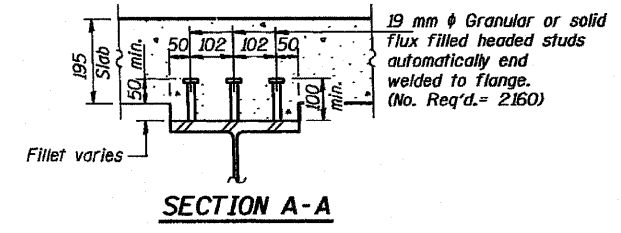
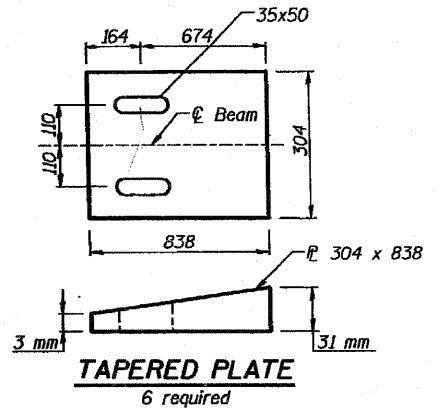
W.P. Denotes Work Point

○ Denotes Beam Number

NTR denotes Notch Toughness Requirements.



| Location | "A" (m) | "B" (m) | "C" (m) |
|----------|---------|---------|---------|
| Beam 1 | 19.965 | 9.913 | 9.762 |
| Beam 2 | 20.172 | 10.032 | 9.850 |
| Beam 3 | 20.397 | 10.160 | 9.947 |
| Beam 4 | 20.600 | 10.260 | 10.050 |
| Beam 5 | 20.801 | 10.359 | 10.152 |
| Beam 6 | 21.004 | 10.460 | 10.254 |



NOTES:

All dimensions are in millimeters (mm) except as noted.