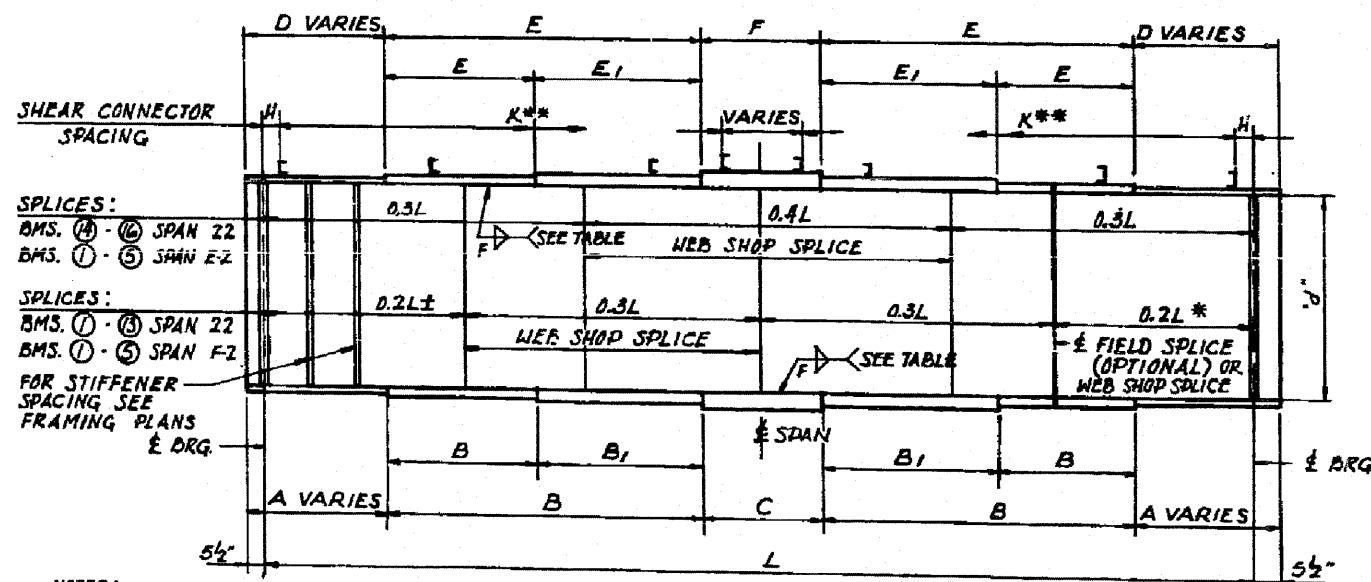
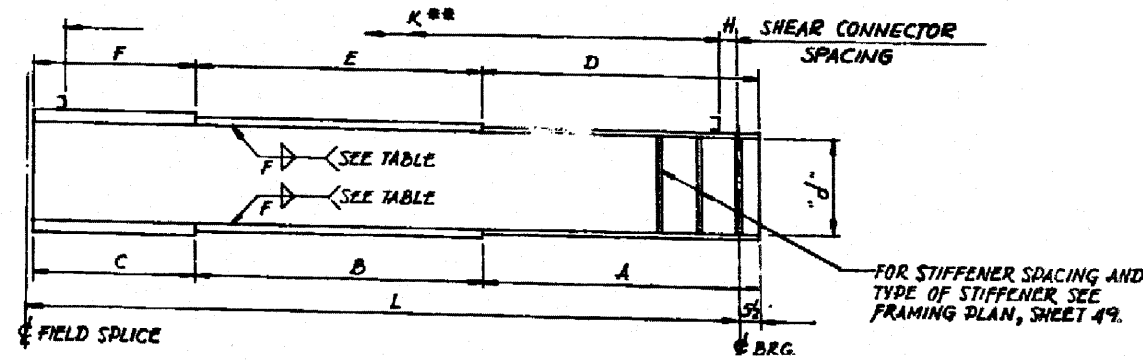


TYPICAL ELEVATION OF 48" WELDED PLATE BEAMS-SPAN F-1

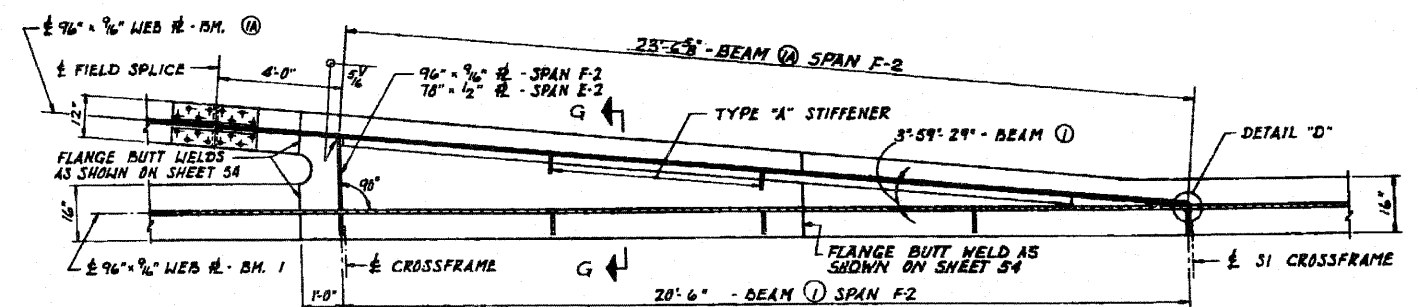


NOTES:
 0.2L-DIMENSION CAN BE ADJUSTED TO AVOID INTERFERENCE WITH INTERMEDIATE STIFFENERS AND LATERAL BRACING CONNECTIONS.
 78" x 1/2" WEB # - SPAN E-2
 96" x 3/8" WEB # - SPANS 22 AND F-2

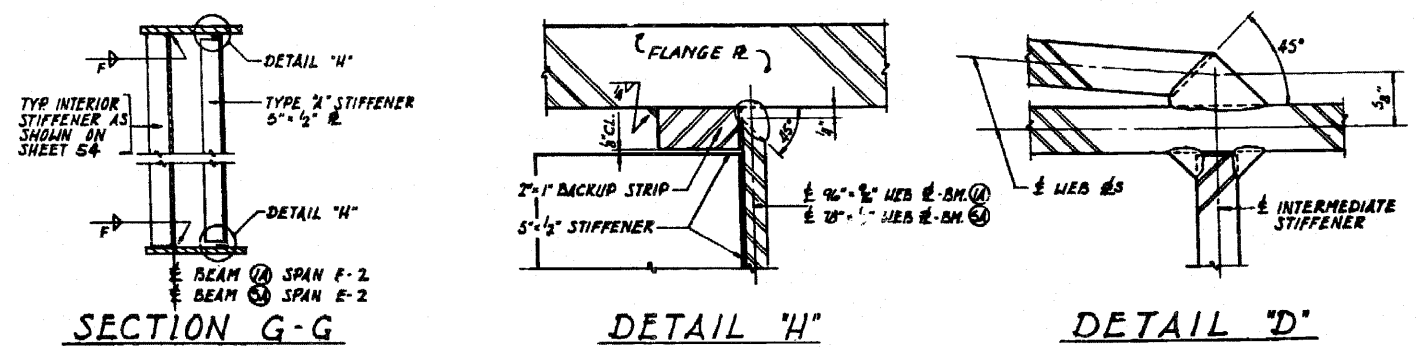
TYPICAL ELEVATION OF 96" WELDED PLATE BEAMS EXCEPT BEAM (A) SPAN F-2



TYPICAL ELEVATION OF 96" WELDED PLATE BEAM (A)



CONNECTION DETAIL OF BEAM (A) TO BEAM (1) SPAN F-2-SHOWN



WELDED PLATE BEAM SCHEDULE

SPAN	BEAM	L	d	t	BOTTOM FLANGE PLATES			TOP FLANGE PLATES		
					A	B OR B, B1	C	D	E OR E, E1	F
F1	1	84'-4 1/16	48	3/8	16x1 1/2	16x1 3/8 x 14'-0"	16x2 x 27'-0"	16x3/4	---	16x1 1/8 x 45'-0"
	2	84'-4 1/16	48	3/8	16x1	---	16x1 7/8 x 56'-0"	16x3/4	---	16x7/8 x 19'-0"
	3	84'-4 1/16	48	3/8	16x1	---	16x1 7/8 x 56'-0"	16x3/4	---	16x7/8 x 19'-0"
	4	84'-7 1/16	48	3/8	16x1 1/4	---	16x2 x 53'-0"	16x3/4	---	16x1 x 38'-0"
	5	84'-7 1/16	48	3/8	16x1 1/4	16x2 1/4 x 18'-6"	16x2 1/2 x 19'-0"	16x3/4	---	16x1 5/8 x 56'-6"
	6	83'-9 7/8	48	3/8	16x1 1/2	16x2 1/4 x 17'-0"	16x2 1/2 x 17'-0"	16x3/4	---	16x1 1/2 x 55'-0"
	7	83'-5 5/8	48	3/8	16x1	---	16x1 5/8 x 52'-0"	---	---	16x3/4
	8	83'-5 5/8	48	3/8	16x1	---	16x1 5/8 x 52'-0"	---	---	16x3/4
	9	83'-10 3/8	48	3/8	16x1 1/2	16x1 3/8 x 14'-0"	16x2 x 27'-0"	16x3/4	---	16x1 1/8 x 45'-0"
F2	1A	55'-7 1/16	96	9/16	12x1	12x1 1/2 x 20'-0"	12x2 x 18'-0"	12x3/4	12x1 x 20'-0"	12x1 1/2 x 18'-0"
	***1	161'-4"	96	9/16	SEE SCHEMATIC PLAN	26x3 1/2 x 46'-4"	SEE SCHEMATIC PLAN	---	---	26x3 x 46'-4"
	2	160'-2 1/16	96	9/16	16x1	26x2 x 13'-6"	16x3 x 35'-0"	16x7/8	16x1 3/8 x 36'-0"	16x2 x 44'-0"
	3	160'-2 1/16	96	9/16	16x1	26x2 x 13'-6"	16x3 x 35'-0"	16x7/8	16x1 3/8 x 36'-0"	16x2 x 44'-0"
	4	158'-9 1/16	96	9/16	16x1	26x2 x 13'-6"	16x3 x 35'-0"	16x7/8	16x1 3/8 x 36'-0"	16x2 x 44'-0"
5	156'-10 1/16	96	9/16	16x1 1/2	26x2 x 22'-0"	16x3 1/2 x 29'-6"	16x1	16x2 x 37'-0"	16x2 1/4 x 46'-0"	