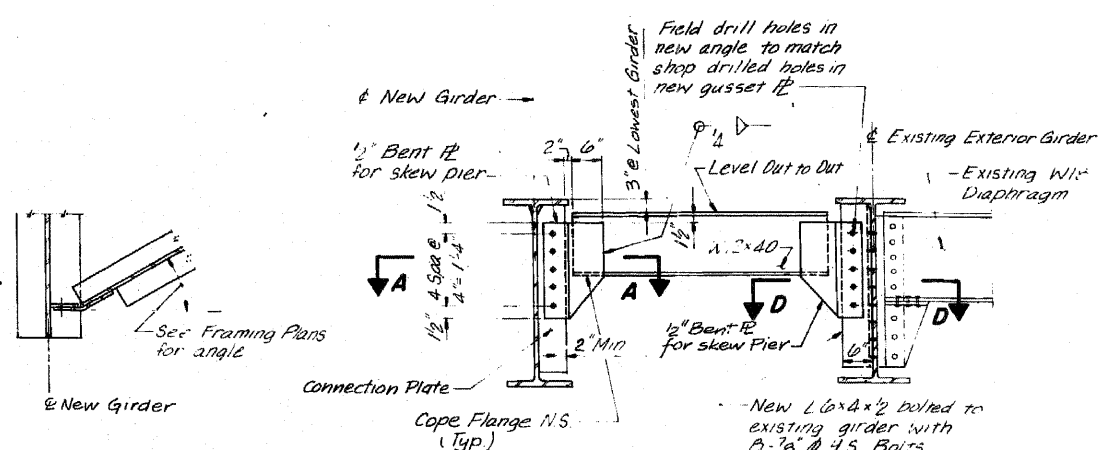
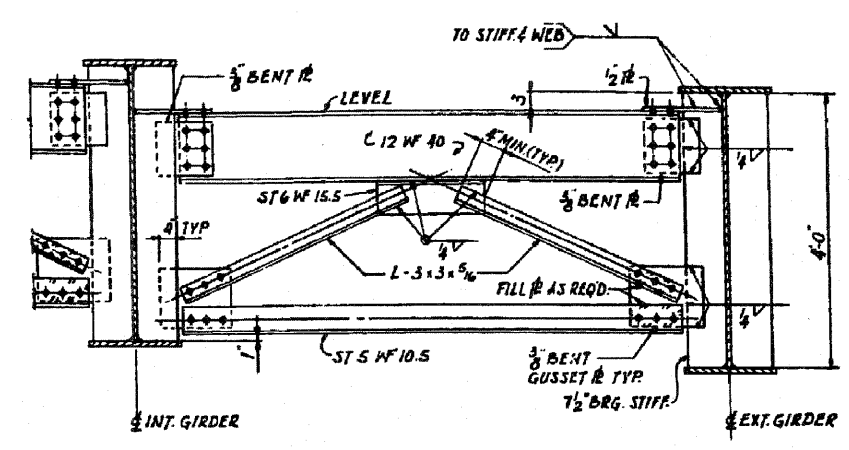


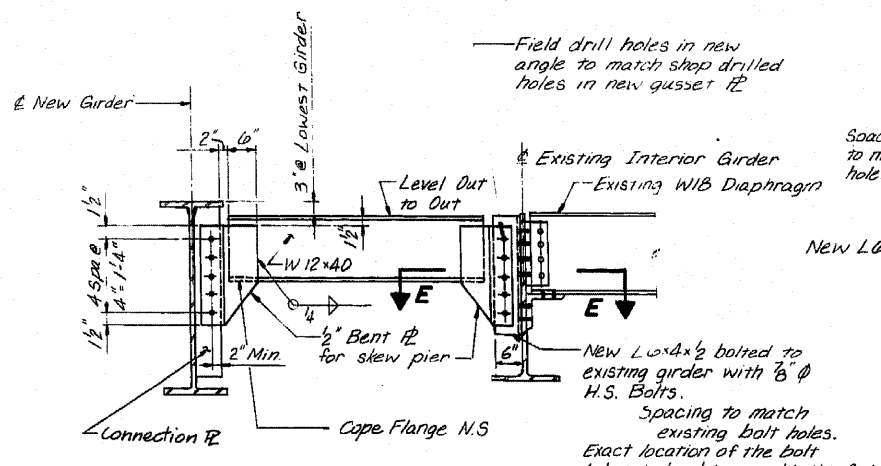
**D-1
END DIAPHRAGM**



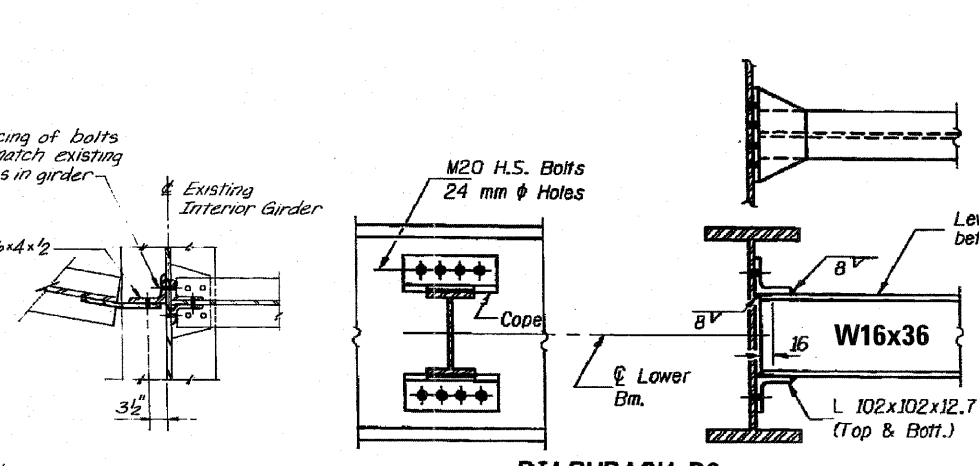
**D-2
END DIAPHRAGM**



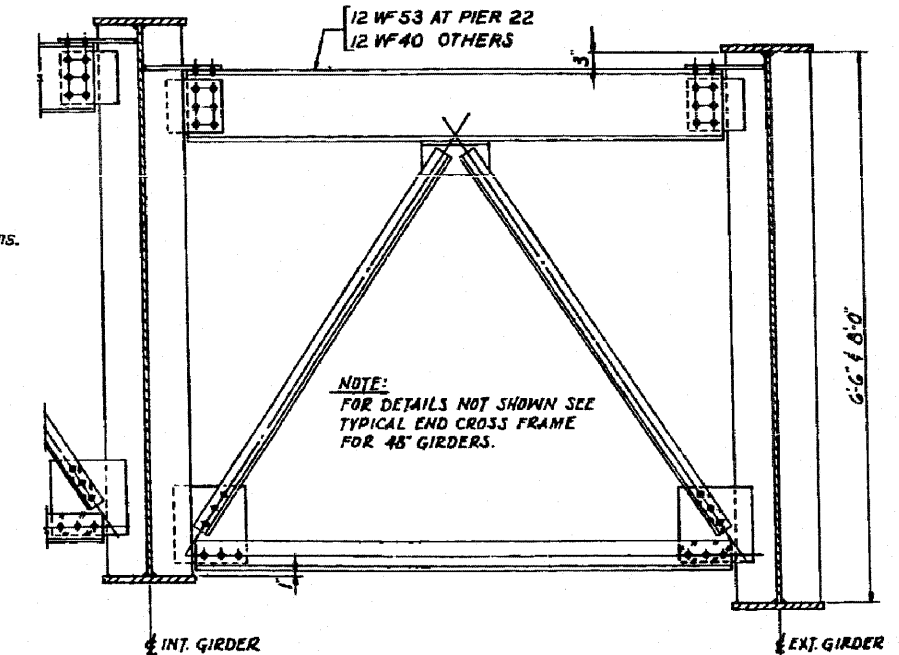
**TYPICAL END CROSS FRAME FOR 48' GIRDERS
ELEV. FOR C1 SHOWN (SPAN F1)**



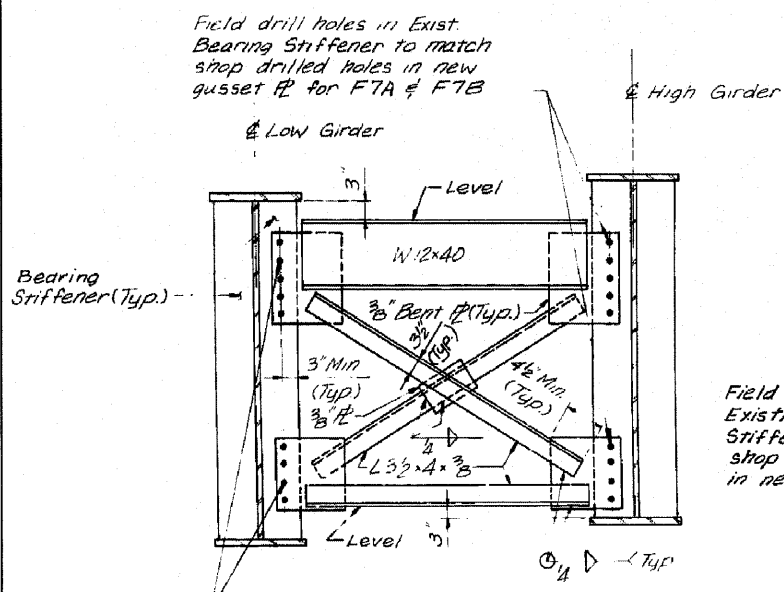
**D-4
END DIAPHRAGM**



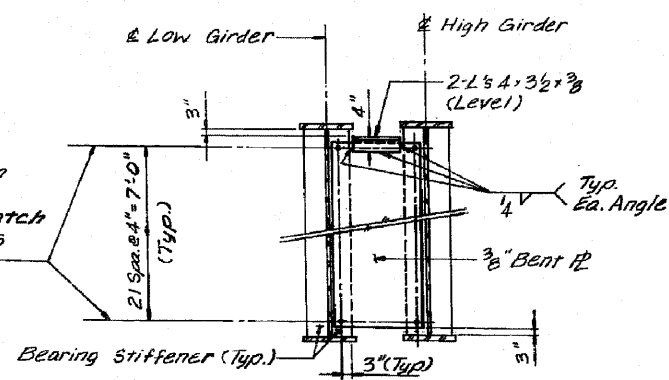
**DIAPHRAGM D6
15 Required**



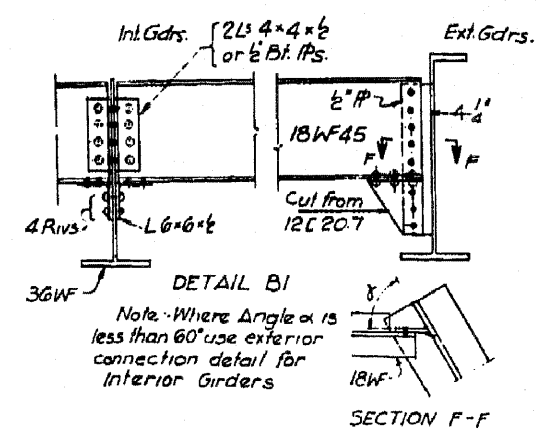
**TYPICAL END CROSS FRAME FOR 96' GIRDERS
ELEV. FOR C1 SHOWN (SPAN F2)**



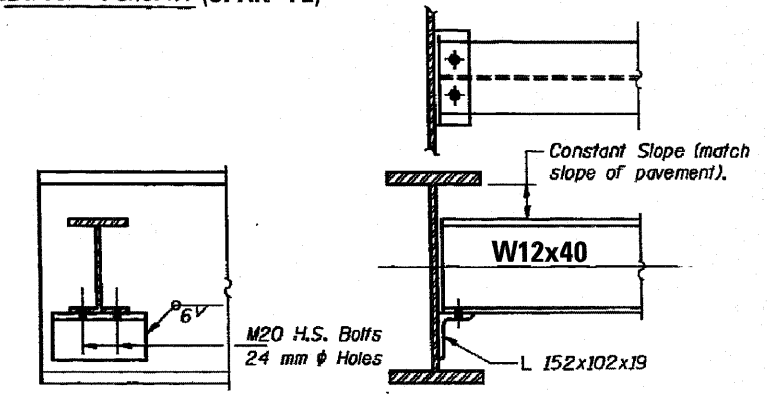
CROSS FRAME - F7, F7A & F7B



CROSS FRAME - F8



SECTION F-F



**DIAPHRAGM D7
5 Required**

NOTES:
All dimensions are in millimeters (mm) except as noted.

FILE NAME =	USER NAME = rgo11	DESIGNED - AMR	REVISED -	STATE OF ILLINOIS DEPARTMENT OF TRANSPORTATION	DIAPHRAGM & CROSS FRAME DETAILS - LOCATION 10 STRUCTURE NO. 016-1062			F.A.I. RTE. 94	SECTION 2010-127-BP	COUNTY COOK	TOTAL SHEETS 160	SHEET NO. 144
PLOT SCALE = 1:8000	DRAWN - AMR	CHECKED - JMH	REVISED -					CONTRACT NO. 60N01				
PLOT DATE = 3/28/2011	DATE - MARCH, 2011	REVISED -	REVISED -					ILLINOIS FED. AID PROJECT				
SCALE: NTS	SHEET NO. 9 OF 12 SHEETS	STA. TO STA.										