

TYPICAL ELEVATION

TYPE I ELASTOMERIC EXPANSION BEARING

TYPE I ELASTOMERIC EXPANSION BEARING SCHEDULE

STRUCTURE	PIER LOCATION	GIRDER NO.	We	Le	SERIES	TOP PLATE				y	He	NO. REQ'D
						Tt	Wt	Lt	SLOPE %			
016-1062	F1 (S)	GF10,GF11	9	12	a	2 ³ / ₈	10	14	4.3	6	4 ⁵ / ₈	2
	65 (N)	GF12,GF13	9	12	a				5.1	6		2
	67 (N)	GF16	9	12	a				5.6	6		1
	69 (N)	GF18	9	12	a				5.6	6		1
	69 (S)	GF19	9	12	a				5.8	6		1
	69 (S)	G371-G375	9	12	a				5.8	6		5
	71 (N)	GF20	9	12	a	2 ³ / ₈	10	14	5.0	6	4 ⁵ / ₈	1

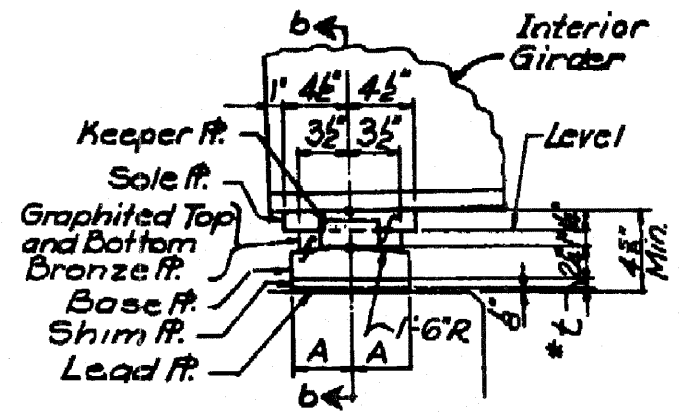
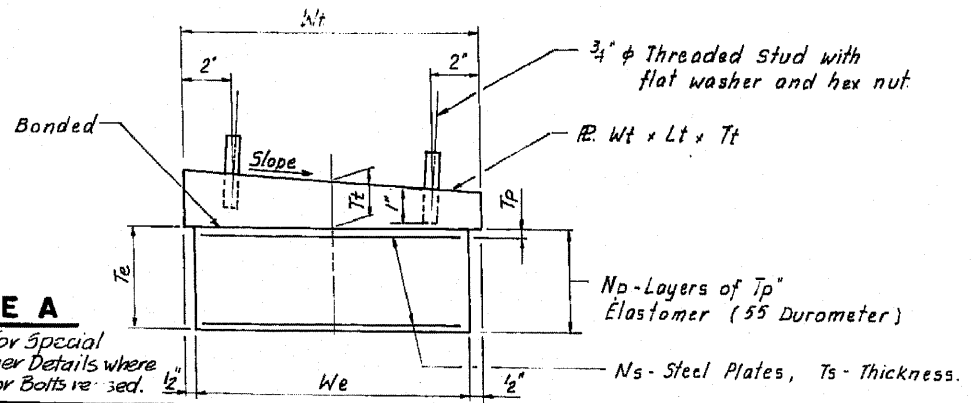
- E New 1" ϕ Anchor Bolt with 2 $\frac{1}{2}$ " x 2 $\frac{1}{2}$ " x $\frac{5}{16}$ " P Washer under nut. (Typical for Bearing located on Top of Pier at exterior girders)
 - E Existing 1 $\frac{1}{2}$ " ϕ Anchor Bolt to be reused at Inside Face of Girders in Table A only. Supply new 2 $\frac{1}{4}$ " x 2 $\frac{1}{4}$ " x $\frac{5}{16}$ " P Washer and new Hex Nut for 1 $\frac{1}{2}$ " ϕ Anchor Bolt at this location only

TABLE A

Location for Special Side Retainer Details where Exist. Anchor Bolts re: sed. $\frac{1}{2}$ "

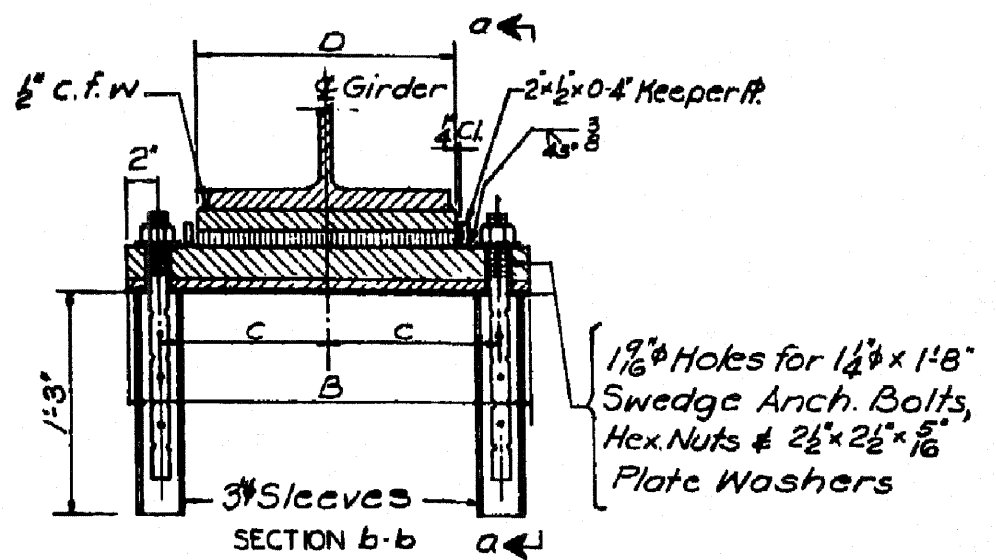
STRUC. NO.	PIER NO.	GIRDER NO.	NO. REQ'D
016-1062	69(S)	G375	1

BEARING ASSEMBLY

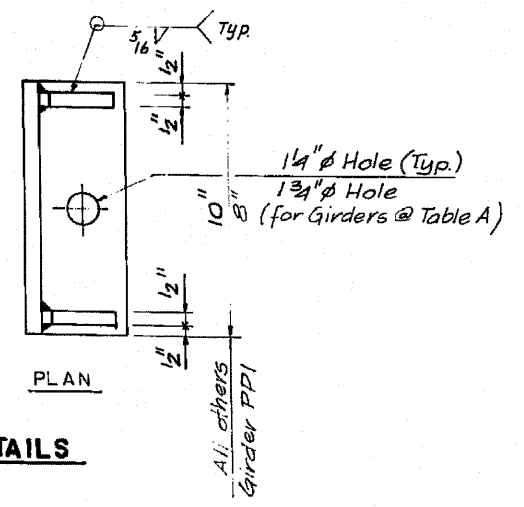
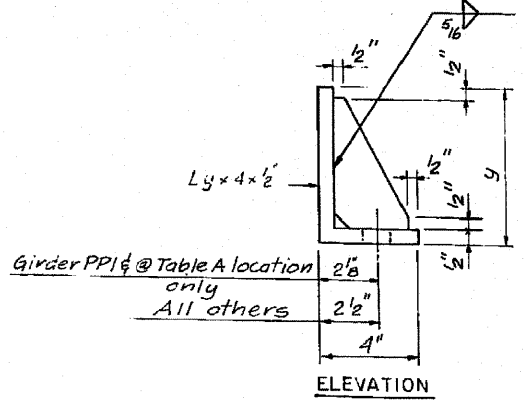


*Shim plate if required for ϵ see schedule
 f = Finish

SECTION a-a



EXPANSION BEARING DETAILS



SIDE RETAINER DETAILS

MARK	DIMENSIONS				REMARKS
	A	B	C	D	
E1	4"	2' 3"	11 1/2"	1' 5 1/2"	Typical for 16" Flange
E2	4"	1' 10 1/2"	9 1/4"	1' 1"	Typical for 12" Flange

Note: Use typical bearings mark E1 and E2 unless otherwise noted.