

ELEVATION AT PIER 72
(Looking North)

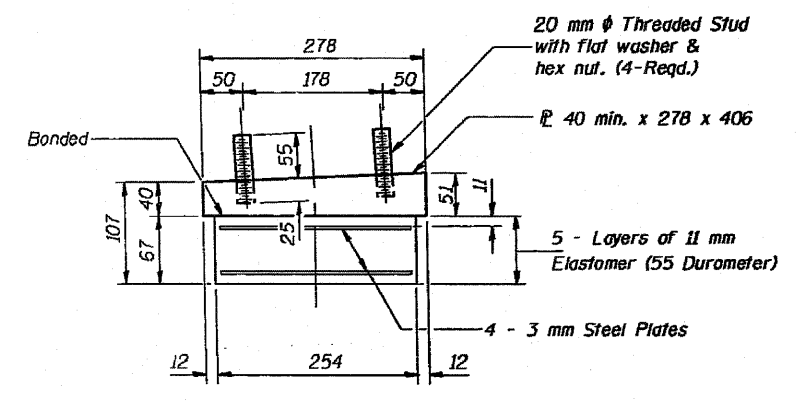
SECTION A-A

ELEVATION AT PIER 71
(Looking South)

SECTION B-B

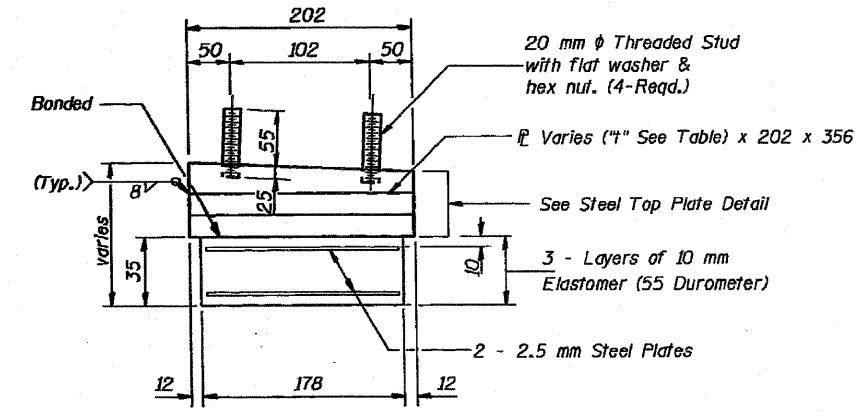
TYPE I ELASTOMERIC EXP. BRG.

TYPE I ELASTOMERIC EXP. BRG.



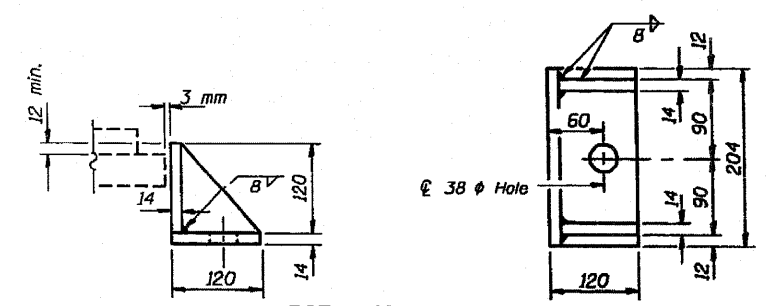
BEARING ASSEMBLY
(6 Required)

Note: Shim plates shall not be placed under Bearing Assembly.

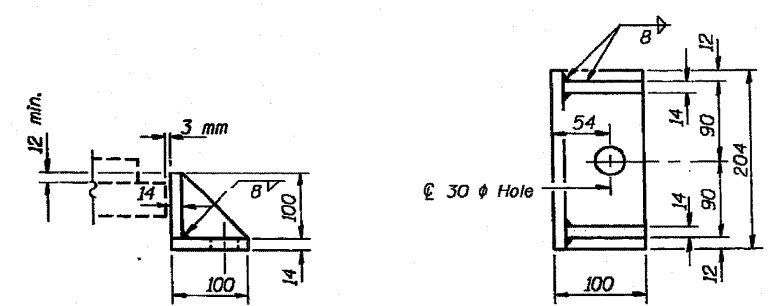


BEARING ASSEMBLY
(6 Required)

Notes: Shim plates shall not be placed under Bearing Assembly.



PIER 72 SIDE RETAINER
Equivalent rolled angle with stiffeners will be allowed in lieu of welded plates. Cost included with Furnishing Structural Steel.



PIER 71 SIDE RETAINER
Equivalent rolled angle with stiffeners will be allowed in lieu of welded plates. Cost included with Furnishing Structural Steel.

FILE NAME =	USER NAME = rga11	DESIGNED - AMR	REVISED -	STATE OF ILLINOIS DEPARTMENT OF TRANSPORTATION	TYPE I ELASTOMERIC EXPANSION BEARING DETAILS - LOCATION 10 STRUCTURE NO. 016-1062			F.A.I. RTE. 94	SECTION 2010-127-BP	COUNTY COOK	TOTAL SHEETS 160	SHEET NO. 146
	PLOT SCALE = 1:2000 1/2 IN.	CHECKED - JMH	REVISED -		SCALE: NTS	SHEET NO. 11 OF 12 SHEETS	STA. TO STA.	CONTRACT NO. 60N01				
	PLOT DATE = 3/28/2011	DATE - MARCH, 2011	REVISED -		ILLINOIS FED. AID PROJECT							