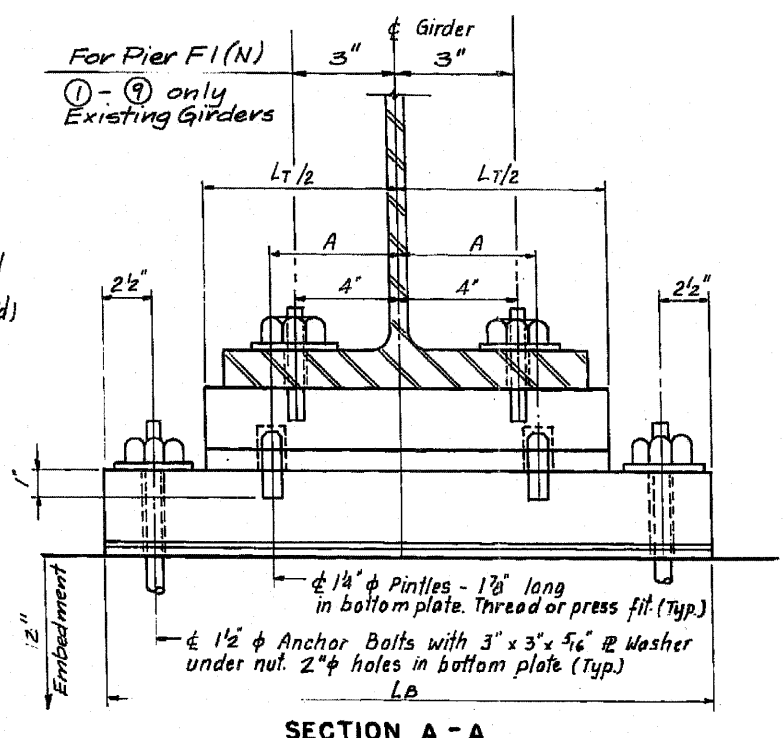


ELEVATION



SECTION A - A

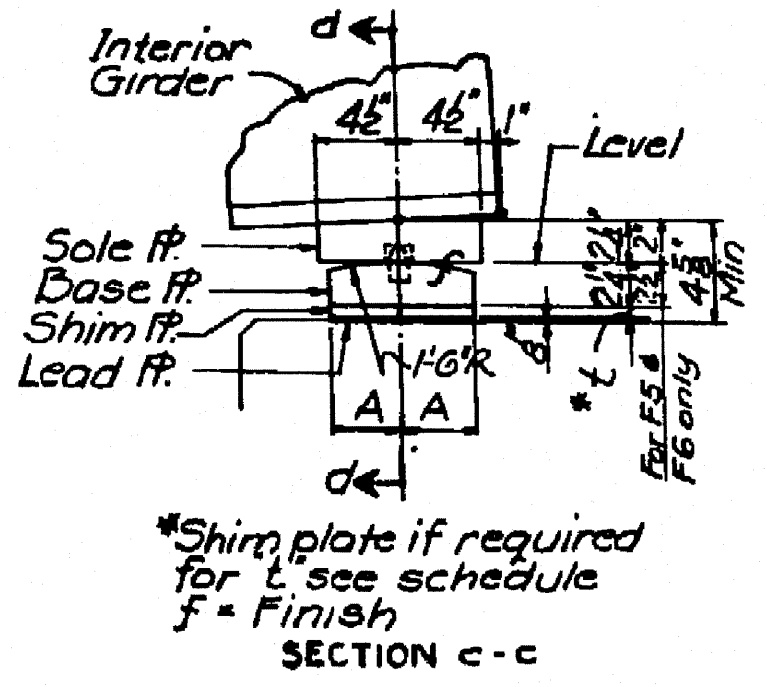
FIXED BEARING SCHEDULE - TYPE F1

STRUCTURE NO.	PIER LOCATION	GIRDER NO.	BRG TYPE	NO. REQ'D	T _T "	L _T "	T _B "	L _B "	A "	H "
016-1062	21(s)	GF7-GF9	F1	3	2 1/2	17	1 3/8	27	5	4
	F1(N)	① - ⑨	F1	9	2 1/2	17	1 3/8	27	5	4
	65(s)	GF14, GF15	F1	2	2 1/2	17	1 3/8	27	5	4
	67(s)	GF17	F1	1	2 1/2	17	1 3/8	27	5	4
	22(s)	GF4-GF6	F1	3	2 1/2	17	1 3/8	27	5	4

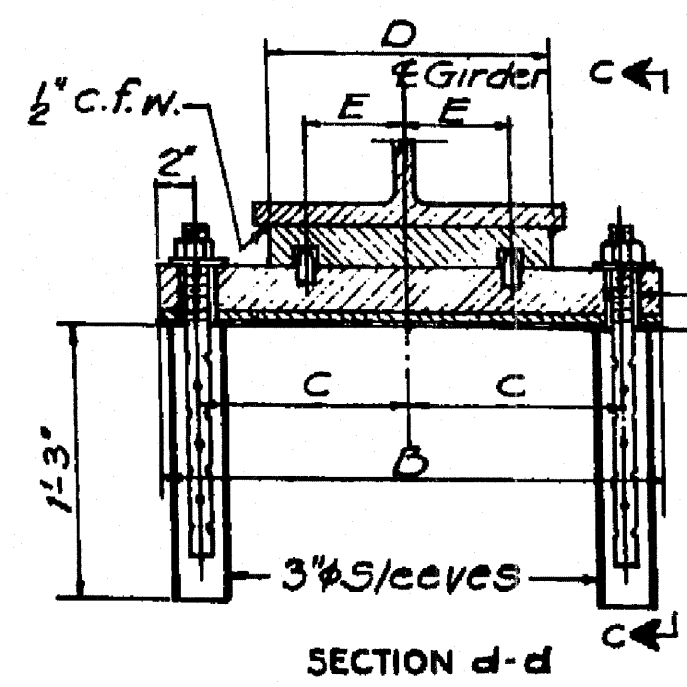
* H - height does not include Shim PL.

FIXED BEARING - TYPE F1

f = Surface finish shall have ANSI surface roughness value not exceeding 250.



SECTION c - c



SECTION d - d

(1 1/2\"/>

FIXED BEARING DETAILS

FIXED BEARING SCHEDULE						
MARK	DIMENSIONS					REMARKS
	A	B	C	D	E	
F	4"	2'-3"	11 1/2"	1'-3"	5 1/2"	Typical for 16" Flange