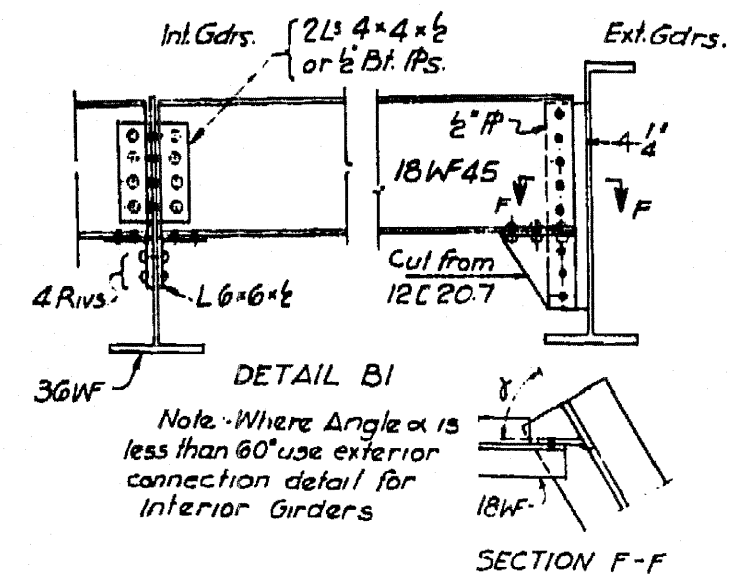
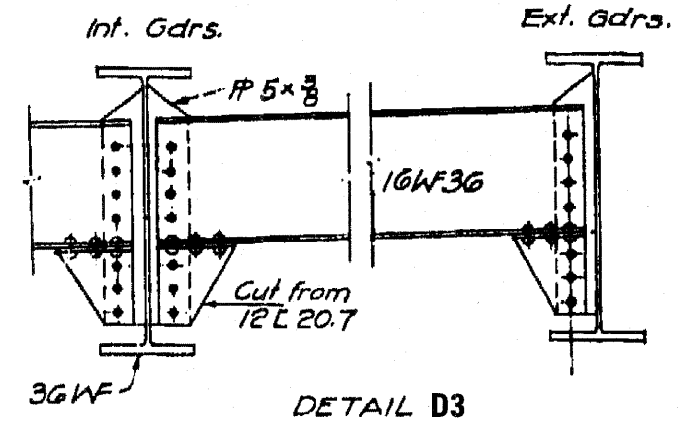


D-2
END DIAPHRAGM



FILE NAME =	USER NAME = rga11	DESIGNED - AMR	REVISED -	STATE OF ILLINOIS DEPARTMENT OF TRANSPORTATION	DIAPHRAGM DETAILS - LOCATION 11		F.A.I. RTE.	SECTION	COUNTY	TOTAL SHEETS	SHEET NO.
	PLOT SCALE = 1/8" = 1' IN.	DRAWN - AMR	REVISED -		SCALE: NTS	SHEET NO. 7 OF 9 SHEETS	STA.	TO STA.	94	2010-127-BP	COOK
PLOT DATE = 3/29/2011	DATE - MARCH, 2011	CHECKED - JMH	REVISED -								CONTRACT NO. 60N01
											ILLINOIS FED. AID PROJECT