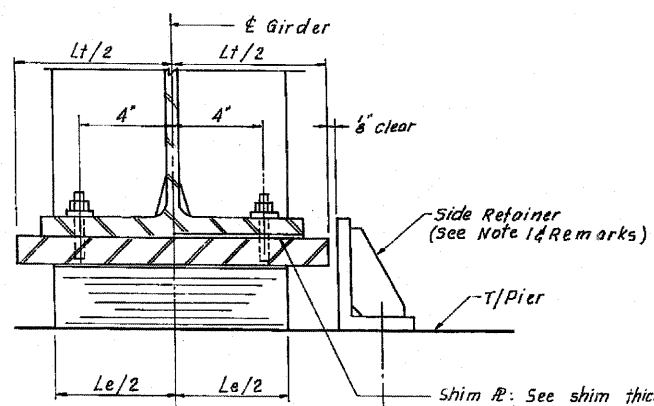
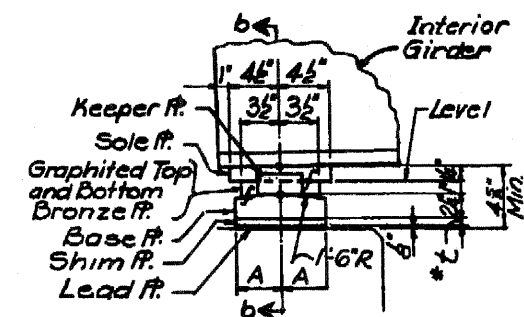


TYPICAL ELEVATION

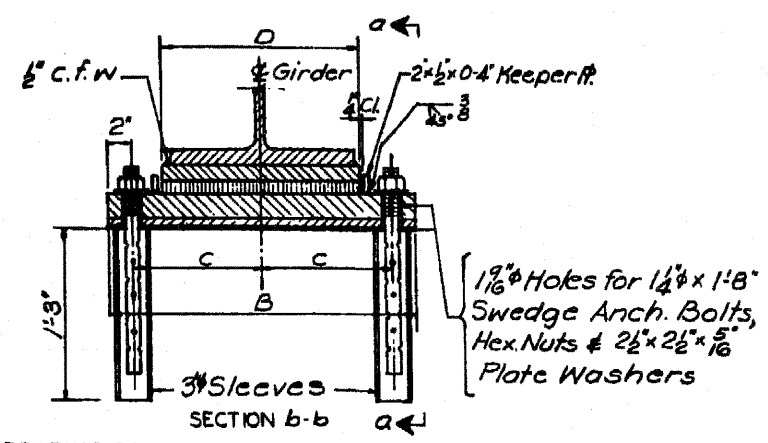


SECTION A-A

Shim #: See shim thickness schedule (Typical for Bearings, without Bolsters)
 & New 1" Anchor Bolt with 2 1/2" x 2 1/2" x 3/16" R washer under nut (Typical for Bearing located on top of Pier at exterior girders)
 & Existing 1 1/2" Anchor Bolt to be reused at Inside Face of Girders in Table A only. Supply new 2 1/4" x 2 1/4" x 5/16" R Washer and new Hex Nut for 1 1/2" Anchor Bolt at this location only



SECTION a-a

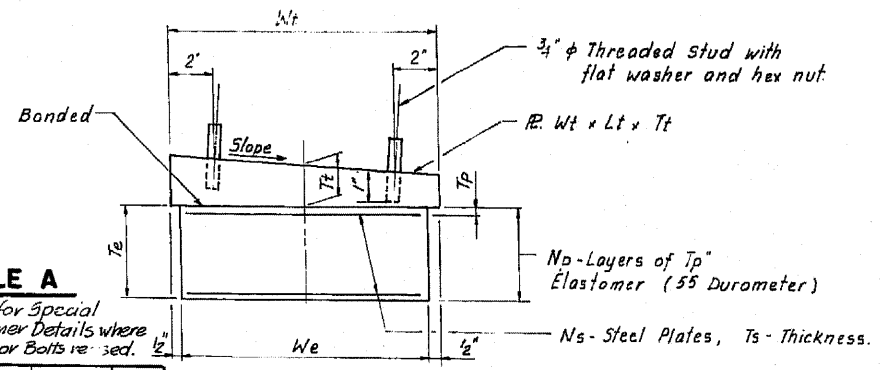


EXPANSION BEARING DETAILS
Scale 1/2"=1'-0"

MARK	DIMENSIONS				REMARKS
	A	B	C	D	
E1	4"	2'-3"	11 1/2"	1'-5 1/2"	Typical for 16" Flange
E2	4"	1'-10 1/8"	9 1/2"	1'-1"	Typical for 12" Flange
87	6"	1'-10 1/8"	9 1/2"	1'-1"	

Note: Use typical bearings mark E1 and E2 unless otherwise noted.

TYPE I ELASTOMERIC EXPANSION BEARING

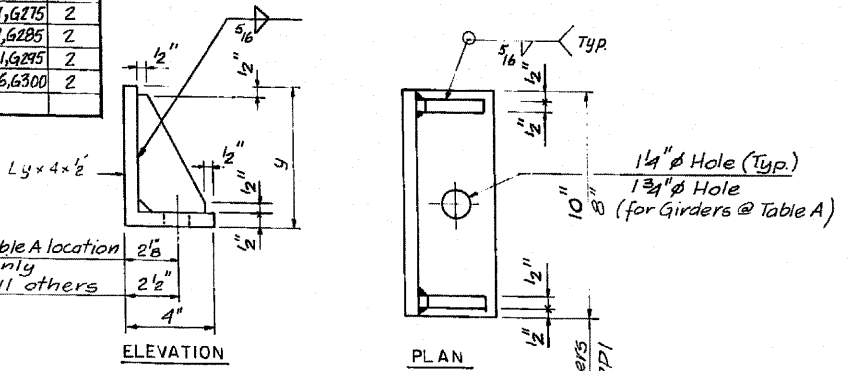


BEARING ASSEMBLY

TABLE A

Location for Special Side Retainer Details where Exist. Anchor Bolts re-used.

STRUC. NO.	PIER NO.	GIRDER NO.	NO. REQ'D
016-1050	78(S)	G261, G265	2
	80(S)	G271, G275	2
	82(S)	G281, G285	2
	84(S)	G291, G295	2
	86(S)	G296, G300	2



SIDE RETAINER DETAILS

TYPE I ELASTOMERIC EXPANSION BEARING SCHEDULE

STRUCTURE	PIER LOCATION	GIRDER NO.	We	Le	SERIES	TOP PLATE				y	He	NO. REQ'D
						Tt	Wt	Lt	SLOPE %			
016-1050	F1(S)	G221	10	14	a	2 3/8	11	16 3/8	1.25	6	4 13/16	1
	79(S)	G222	9	12	a	2 3/8	10	14	1.21	6	4 3/8	1
	78(S)	G261	9	12	a				2.65	6		1
	78(S)	G262	9	12	a				2.26	6		1
	78(S)	G263	9	12	a				2.04	6		1
	78(S)	G264	9	12	a				1.79	6		1
	78(S)	G265	9	12	a	2 3/8	10	14	1.43	6	4 5/8	1
	80(S)	G271-G274	9	12	a	2 3/8	10	14	3.48	6	4 5/8	4
	80(S)	G275	9	12	a	2 3/8	10	16 1/2	3.48	6	4 5/8	1
	82(S)	G281-G285	9	12	a	2 3/8	10	14	5.44	6	4 3/8	5
84(S)	G291-G295	9	12	a	2 3/8	10	14	6.32	6	4 5/8	5	
86(N)	G296-G300	9	12	a	2 3/8	10	14	6.06	6	4 5/8	5	