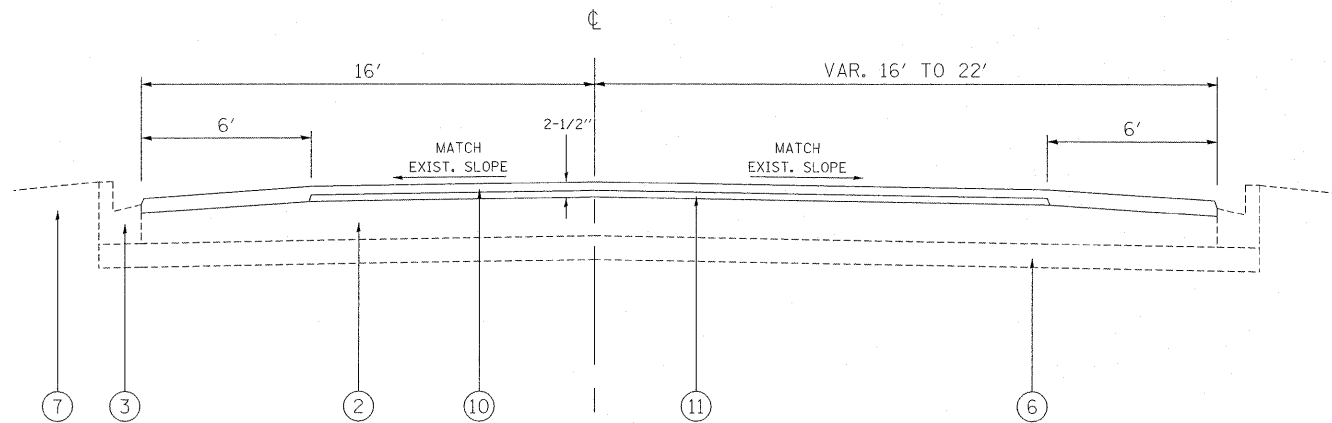


IL 171 - 1st AVE. FRONTAGE RD.
EXISTING TYPICAL SECTION

STA. 14+90 TO STA. 19+50

- LEGEND
- ① EXISTING SUBBASE GRANULAR MATERIAL, TYPE A, 6"
 - ② EXISTING PCC PAVEMENT, 9"±
 - ③ EXISTING COMBINATION CONCRETE CURB AND GUTTER
 - ④ EXISTING PCC MEDIAN
 - ⑤ EXISTING CORRUGATED MEDIAN
 - ⑥ EXISTING STABILIZED SUBBASE, 4"
 - ⑦ EXISTING TOP SOIL AND SODDING
 - ⑧ PROPOSED MEDIAN REMOVAL, PARTIAL DEPTH
 - ⑨ PROPOSED PCC SURFACE REMOVAL, VARIABLE DEPTH
 - ⑩ PROPOSED HMA SURFACE COURSE, MIX "D", N70, 1-1/2"
 - ⑪ PROPOSED POLYMERIZED LEVELING BINDER (MACHINE METHOD), IL-4.75, N50, 1"
 - ⑫ PROPOSED PARTIAL DEPTH REMOVAL, 3"
 - ⑬ PROPOSED HMA BINDER COURSE, IL-19.0, N70, 3"
 (NOTE: SEE DETAIL ON SHEET #5)

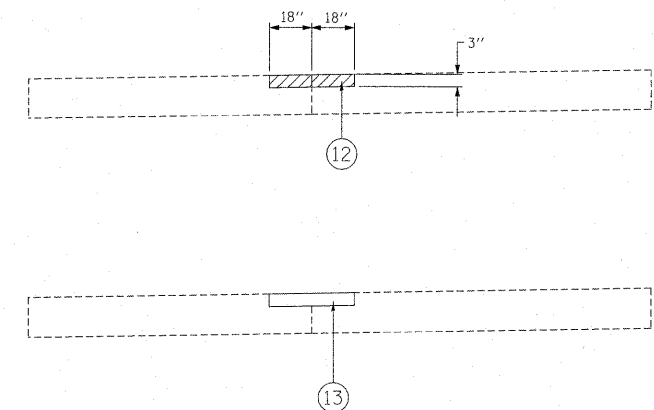


IL 171 - 1st AVE. FRONTAGE RD.
PROPOSED TYPICAL SECTION

STA. 14+90 TO STA. 19+50

DETAIL A
LONGITUDINAL JOINT REPAIR (TYP.)

(LOCATIONS TO BE DETERMINED BY ENGINEER)



FILE NAME =	USER NAME = tariqfm	DESIGNED -	REVISED -	STATE OF ILLINOIS DEPARTMENT OF TRANSPORTATION	IL 171 - 1st AVE. FRONTAGE ROAD (JOLIET RD. TO 47TH ST.) EXISTING AND PROPOSED TYPICAL SECTIONS	F.A.P. RTE.	SECTION	COUNTY	TOTAL SHEETS	SHEET NO.	
ct\pw_work\p\p\tdat\tariqfm\0251775\0132	l-sh-t-plen.dgn	DRAWN -	REVISED -			372	2010-155-RS	COOK	27	5	
PLOT SCALE = 50.0000' / IN.		CHECKED -	REVISED -			SCALE: SHEET NO. OF SHEETS STA. TO STA.		CONTRACT NO. 60N59			
PLOT DATE = 4/7/2011		DATE -	REVISED -			ILLINOIS FED. AID PROJECT					