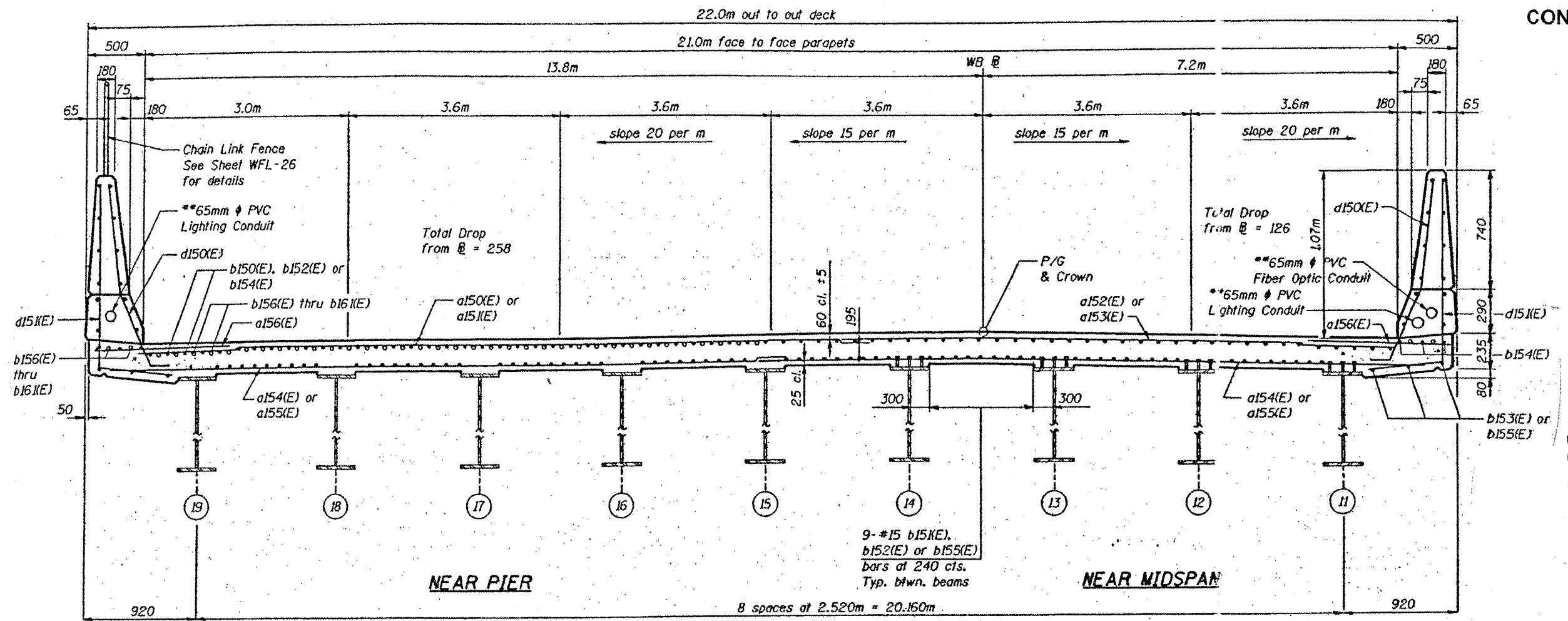
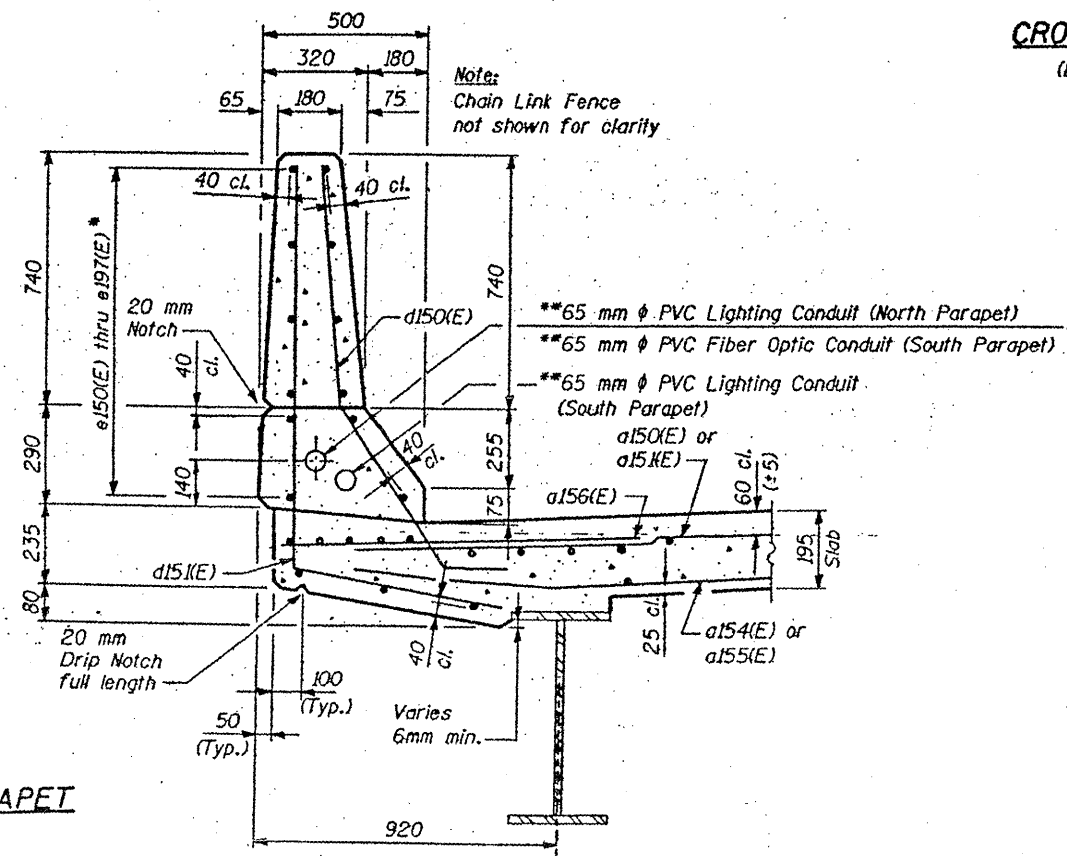


ROUTE	SECTION	COUNTY	TOTAL SHEETS	SHEET NUMBER
FAI 55	2011-016-1	COOK	173	40

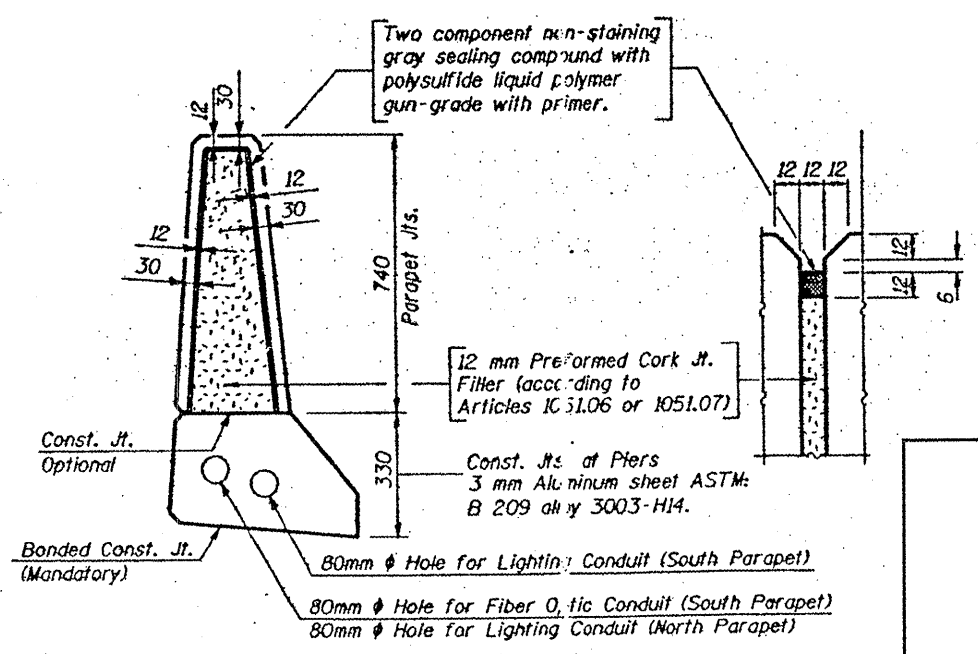
CONTRACT NO. 60P07



CROSS SECTION
(Looking East)



SECTION THRU PARAPET



PARAPET JOINT DETAILS

FOR INFORMATION ONLY

ILLINOIS DEPARTMENT OF TRANSPORTATION
EXISTING PLANS

LOCATION 14 (SN 016-0968)
(WB BRIDGE)
SHEET 4 OF 4