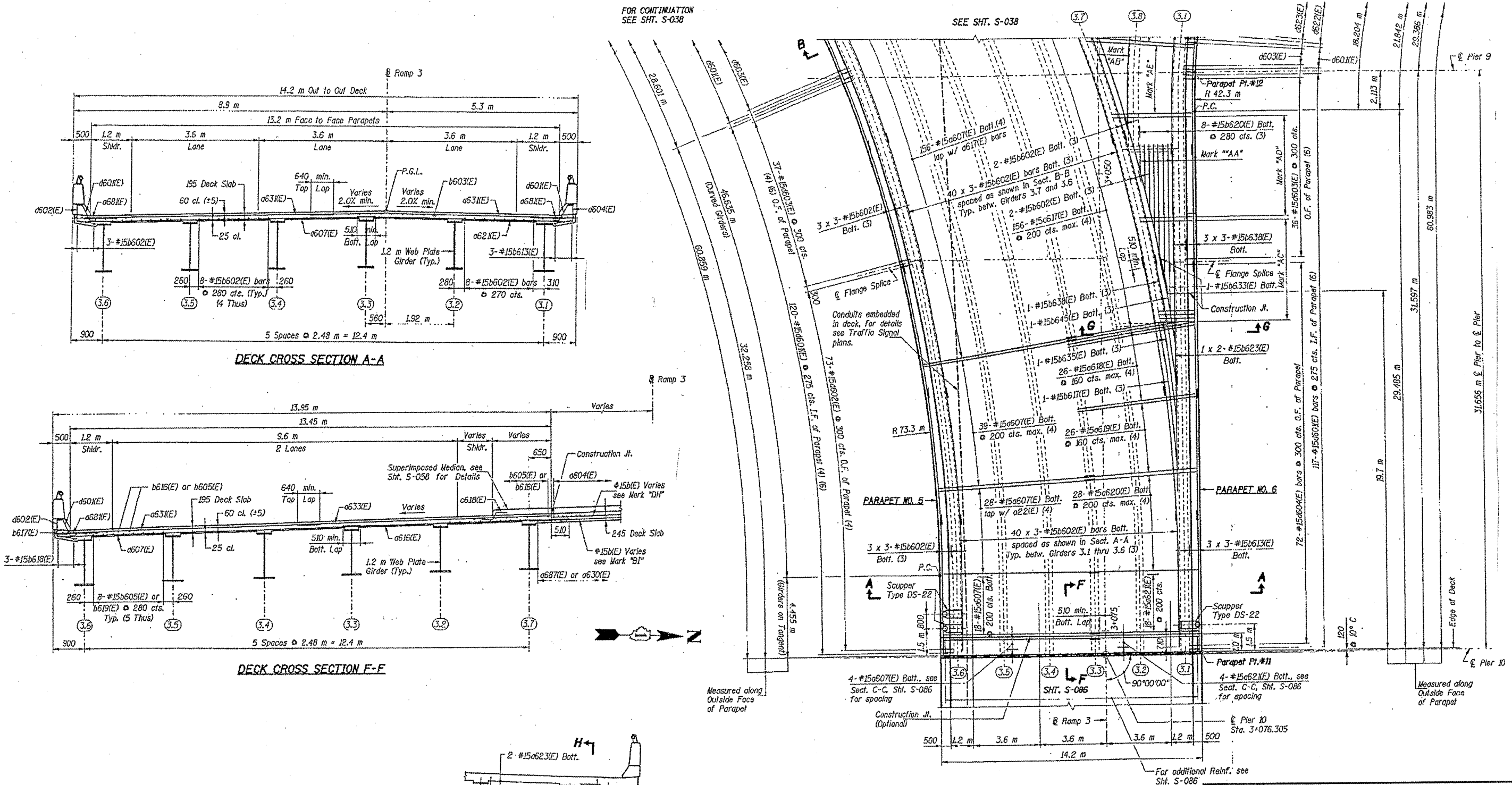
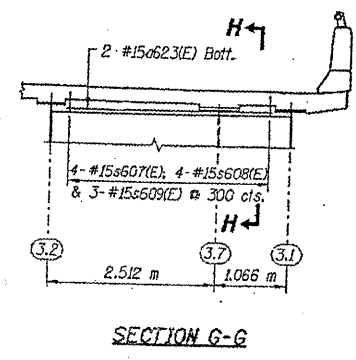


ROUTE FAI 55	SECTION 2011-016-1	COUNTY COOK	TOTAL SHEETS 173	SHEET NUMBER 55
-----------------	-----------------------	----------------	---------------------	--------------------

CONTRACT NO. 60P07



FOR INFORMATION ONLY



ILLINOIS DEPARTMENT OF TRANSPORTATION
 EXISTING PLANS

LOCATION 15 (SN 016-1009)
 (DAMEN AVE)
 SHEET 15 OF 24