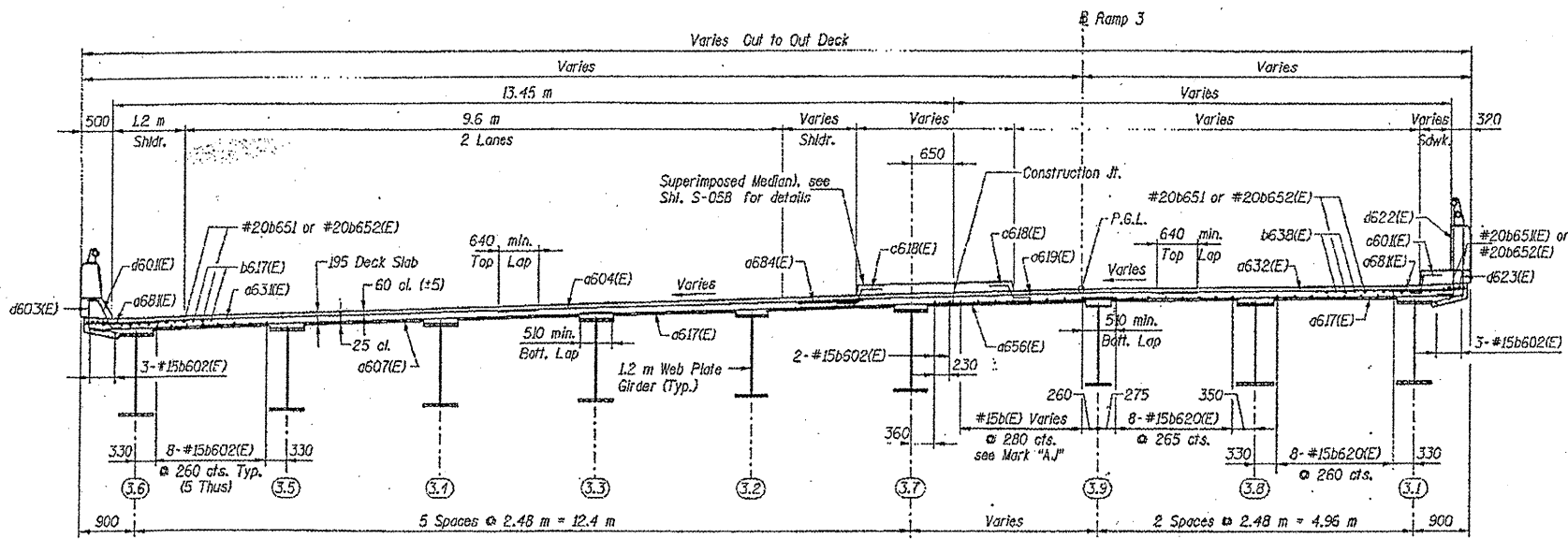


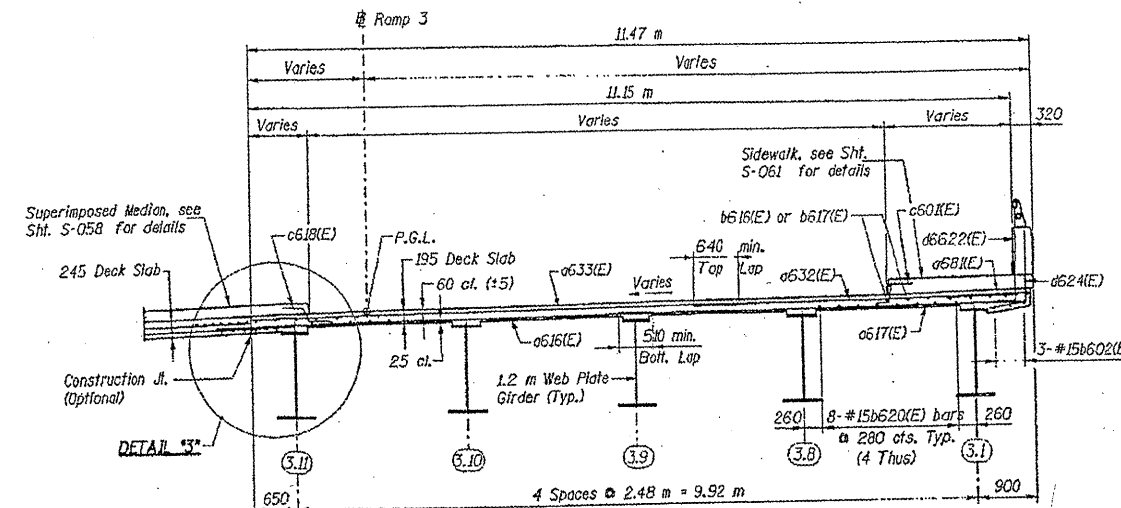
FOR INFORMATION ONLY

ROUTE FAI 55	SECTION 2011-016-1	COUNTY COOK	TOTAL SHEETS 173	SHEET NUMBER 57
-----------------	-----------------------	----------------	---------------------	--------------------

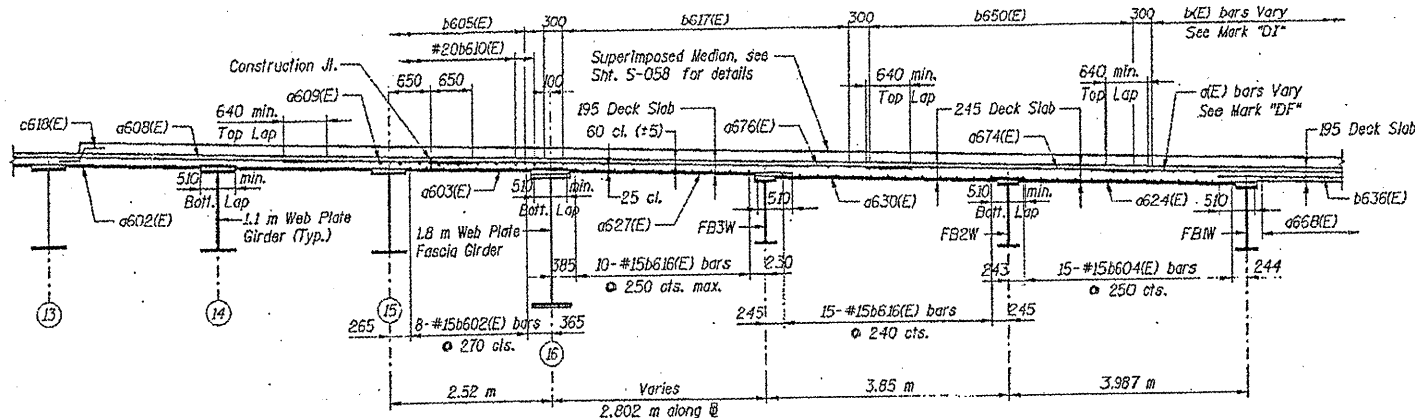
CONTRACT NO. 60P07



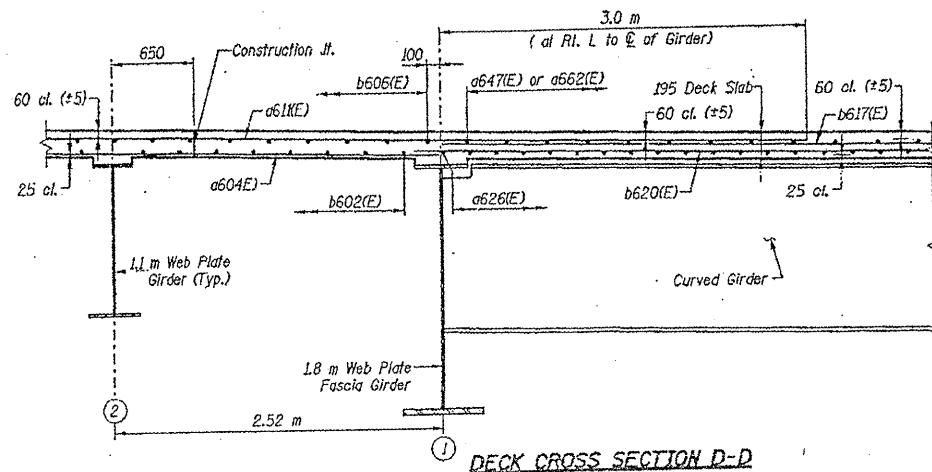
DECK CROSS SECTION B-B



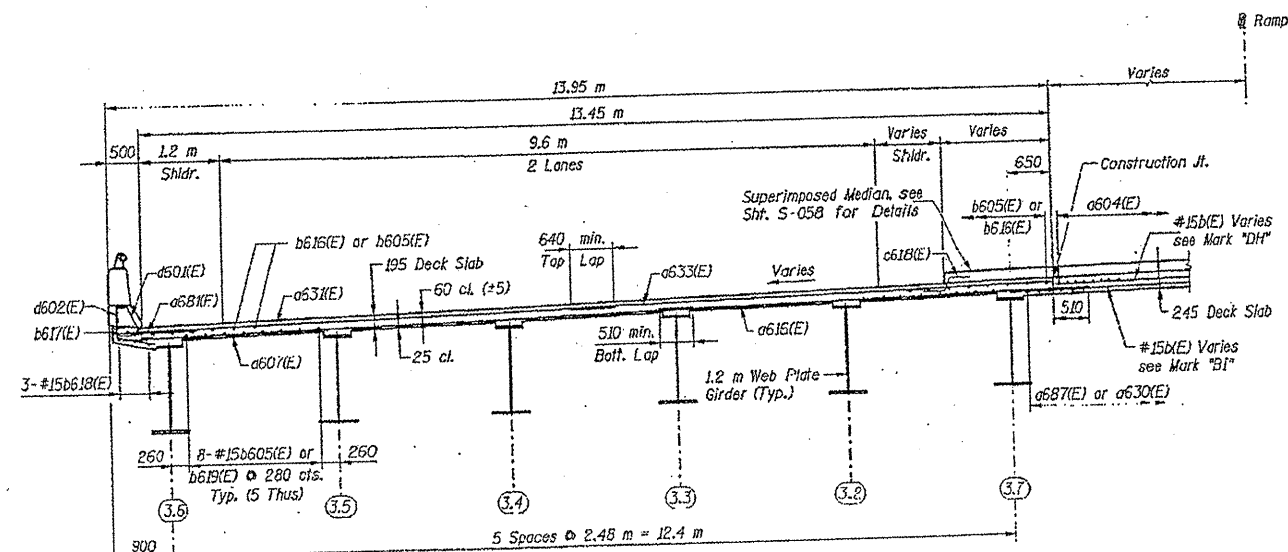
DECK CROSS SECTION E-E



DECK CROSS SECTION C-C



DECK CROSS SECTION D-D



DECK CROSS SECTION F-F

ILLINOIS DEPARTMENT OF
TRANSPORTATION
EXISTING PLANS

LOCATION 15 (SN 016-1009)
(DAMEN AVE)
SHEET 17 OF 34