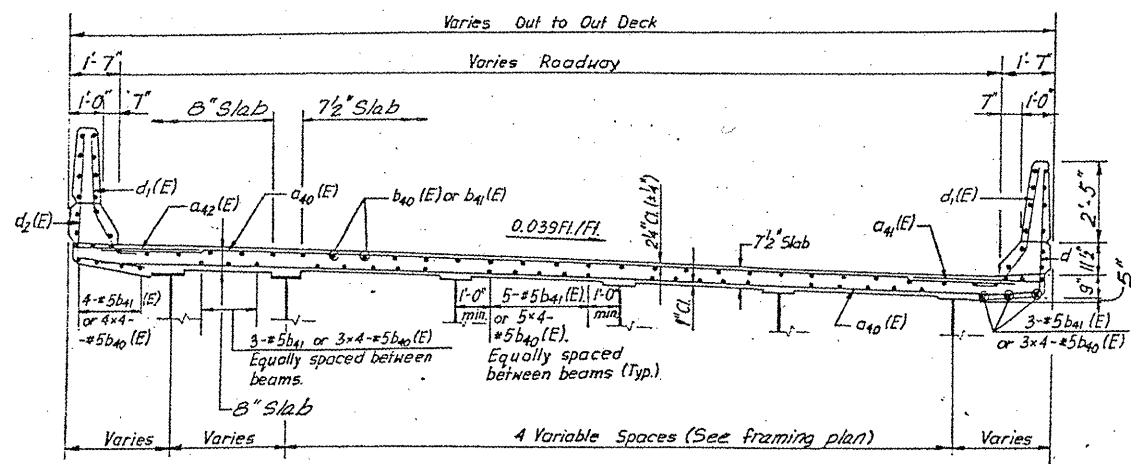
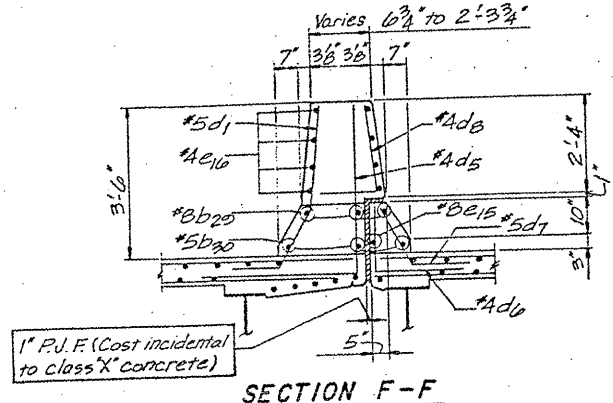
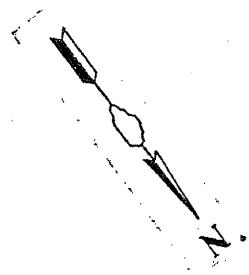
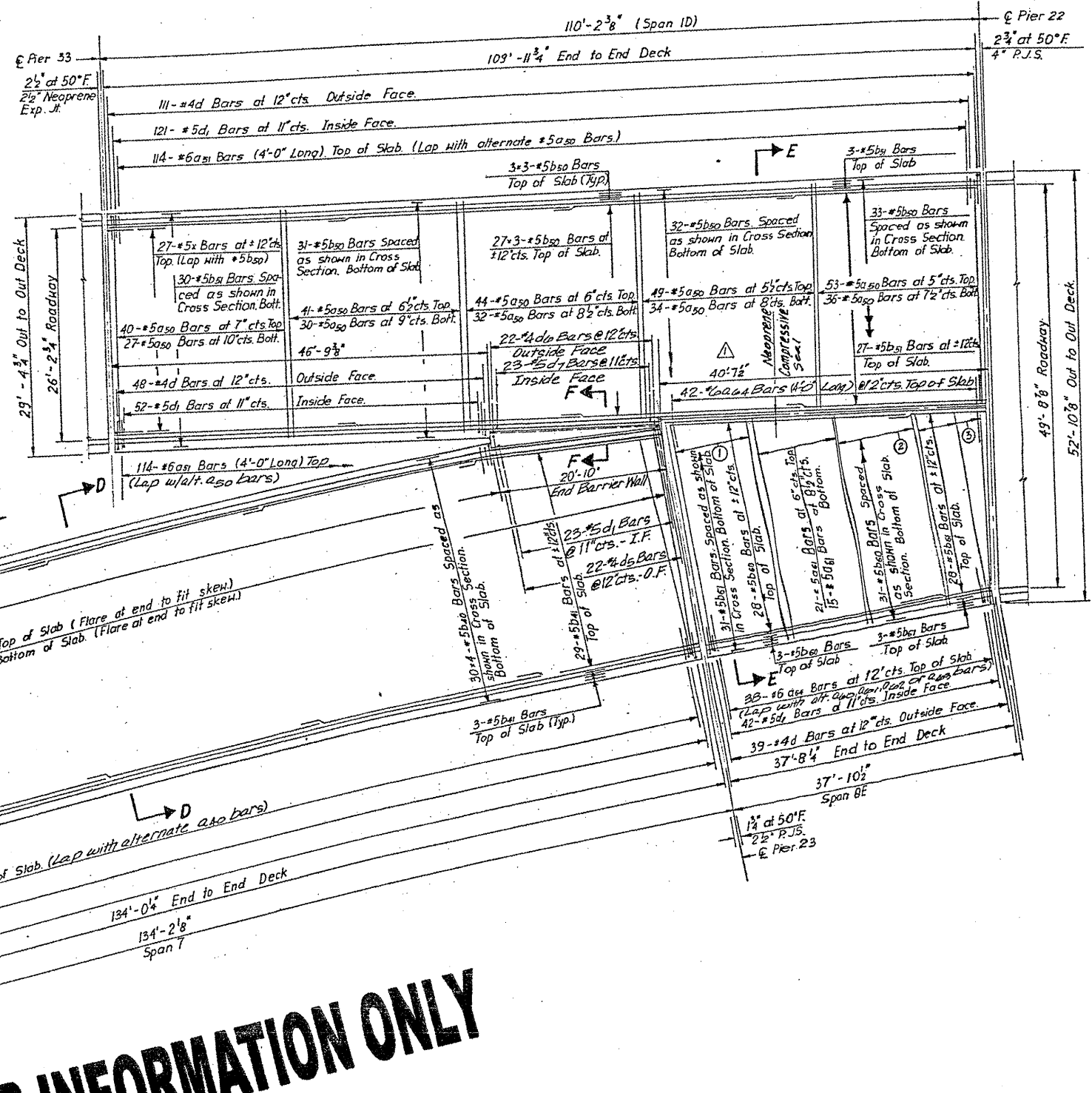


ROUTE	SECTION	COUNTY	TOTAL SHEETS	SHEET NUMBER
FAI 55	2011-016-1	COOK	173	162

CONTRACT NO. 60P07



SECTION D-D



SECTION F-F

FOR INFORMATION ONLY

ILLINOIS DEPARTMENT OF
 TRANSPORTATION
 EXISTING PLANS

 LOCATION 31 (SN 016-1047)
 (RAMP)
 SHEET 4 OF 5