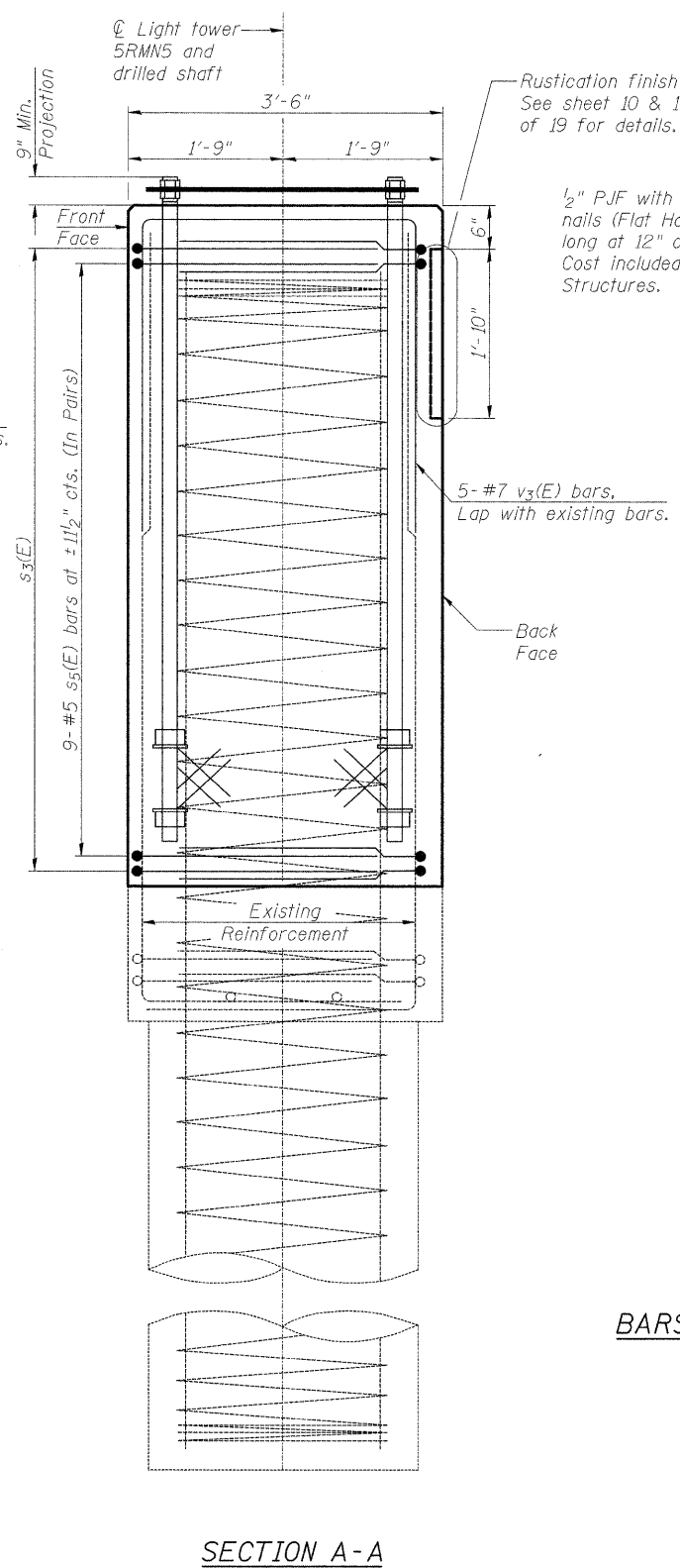
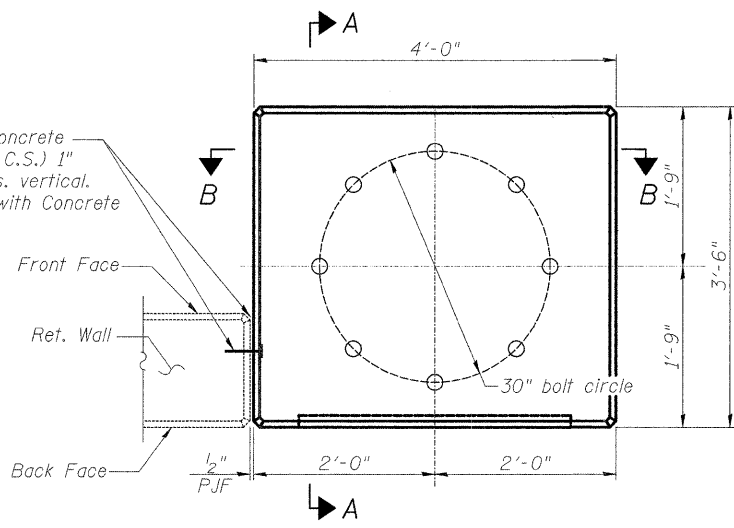


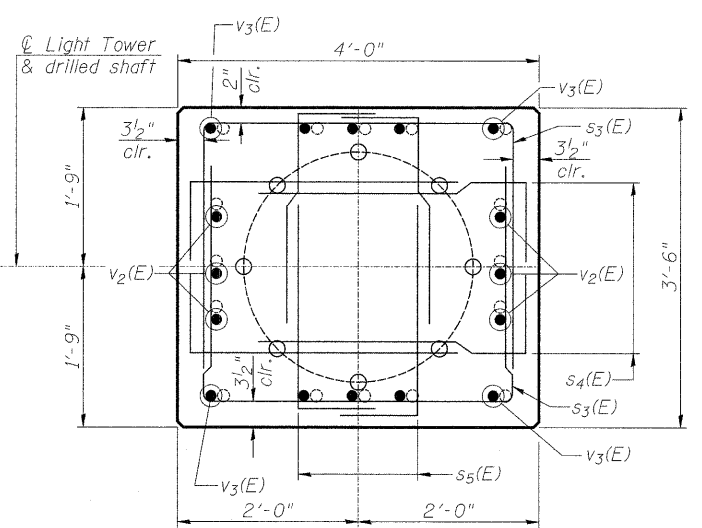
SECTION B-B



SECTION A-A



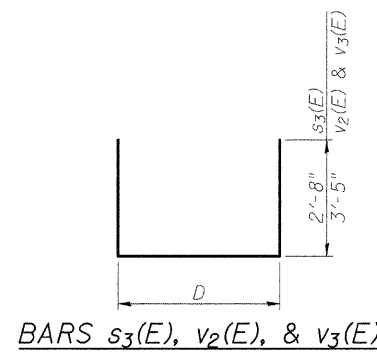
PLAN - LIGHT TOWER 5RMN5



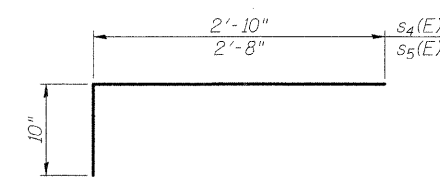
SECTION C-C

MIN. BAR LAPS

#5 = 2'-0"
#7 = 3'-2"



BARS s3(E), v2(E), & v3(E)



BARS s4(E), s5(E)

MARK TABLE

Bar	D
s(E)	3'-5"
v2(E)	3'-4"
v3(E)	3'-0"

5RMN5
BILL OF MATERIAL

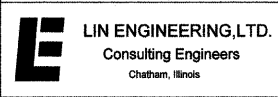
Bar	No.	Size	Length	Shape
s3(E)	18	#5	8'-9"	U
s4(E)	18	#5	3'-8"	U
s5(E)	18	#5	3'-6"	U
v2(E)	3	#7	10'-2"	U
v3(E)	5	#7	9'-10"	U
Reinforcement Bars, Epoxy Coated			Pound	470
Concrete Structures			Cu. Yd.	4.1
Concrete Removal			Cu. Yd.	4.1
* Concrete Median Surface, 6 inch (Special)			Sq. Ft.	36
** Median Removal			Sq. Ft.	36
** Subbase Granular Material, Type B			Ton	1.5

*See Special Provisions
**Contractor has the option of using CLSM as an alternative material, see Section 593 of the Standard Specifications.

Notes:
Cost of subbase excavation required to remove concrete foundation is included with Concrete Removal. Conduit is not shown for clarity.
Cost of anchor rod assembly and wires for grounding are included with "Concrete Structures". Welding to anchor rod assembly is not allowed.
All existing spiral and vertical bars shall be cleaned and incorporated into the new construction. Epoxy coating shall be reapplied if damaged during removal. Cost included with Concrete Removal.
Space reinforcement bars to miss anchor rods. Contractor shall minimize median removal required for excavation and removal work. Limits to be approved by the Engineer.

If the Contractor elects to remove and replace a section of the existing spiral reinforcement at his cost then:
1. No adjustments to the quantities shall be made and no additional payment shall be made.
2. Spiral bar size is #5, and shall be lapped 1/2 turns minimum with the existing spiral.
3. Provide 1/2 extra turns at top and bottom of new spiral bar.
4. Spiral diameter shall be 2'-2" and shall be placed around the existing #10 vertical bars.
5. All vertical reinforcement is to be cleaned and reincorporated.

(Sheet 2 of 2)



USER NAME =	DESIGNED - MTH	REVISED -
FILE NAME =	CHECKED - ADB	REVISED -
PLOT SCALE =	DRAWN - AJF	REVISED -
PLOT DATE =	CHECKED - MTH	REVISED -

STATE OF ILLINOIS
DEPARTMENT OF TRANSPORTATION

HIGH MAST LIGHT TOWER FOUNDATION REPAIRS
5RMN5

F.A.I. RTE. 90/94	SECTION 2011-021-L	COUNTY COOK	TOTAL SHEETS 19	SHEET NO. 6
CONTRACT NO. 60P16				
ILLINOIS FED. AID PROJECT				