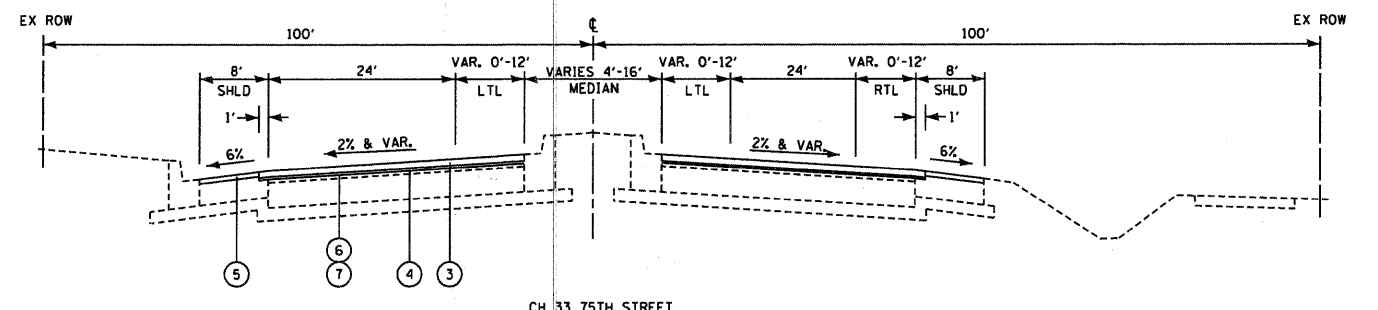
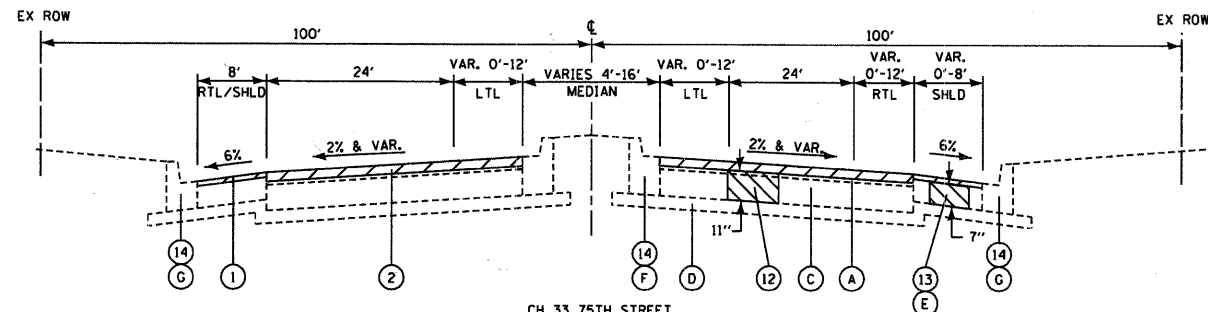


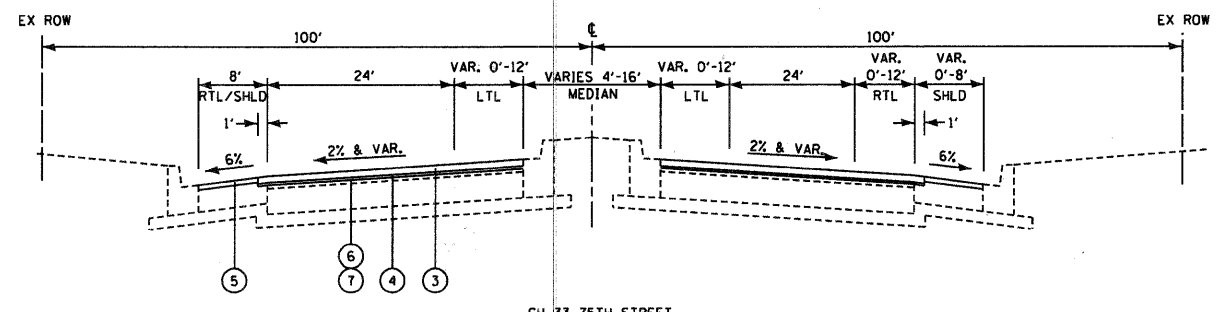
CH 33 75TH STREET
EXISTING TYPICAL SECTION
STA. 161+24 TO STA. 177+04
STA. 179+85 TO STA. 187+42
STA. 194+00 TO STA. 201+23



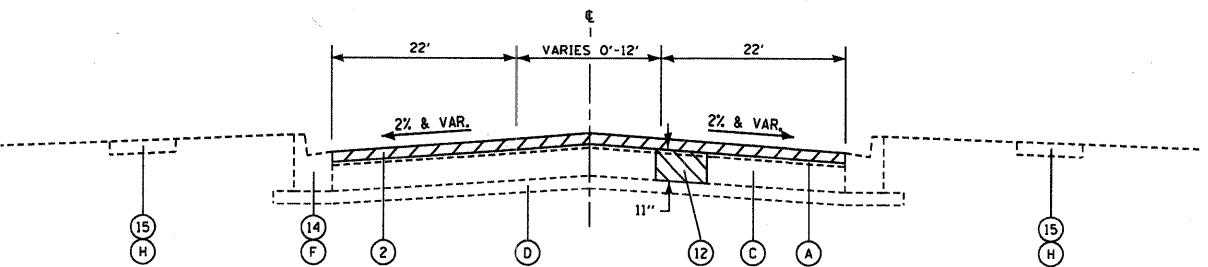
CH 33 75TH STREET
PROPOSED TYPICAL SECTION
STA. 161+24 TO STA. 177+04
STA. 179+85 TO STA. 187+42
STA. 194+00 TO STA. 201+23



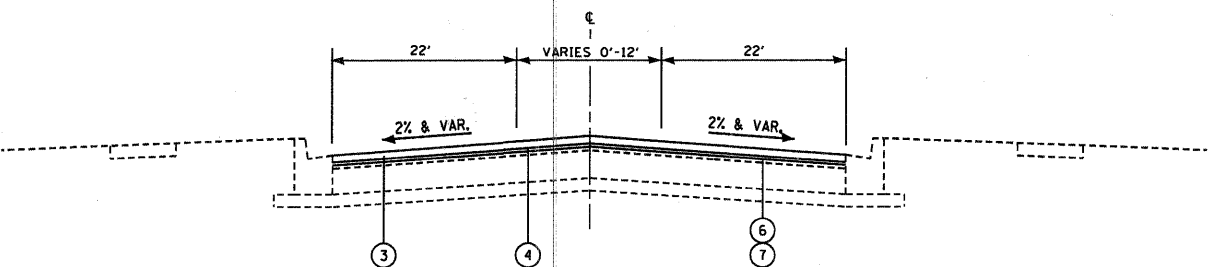
CH 33 75TH STREET
EXISTING TYPICAL SECTION
STA. 177+04 TO STA. 179+85
STA. 187+42 TO STA. 194+00



CH 33 75TH STREET
PROPOSED TYPICAL SECTION
STA. 177+04 TO STA. 179+85
STA. 187+42 TO STA. 194+00



CH 40 WERHLI ROAD
EXISTING TYPICAL SECTION
STA. 15+26 TO STA. 20+03



CH 40 WERHLI ROAD
PROPOSED TYPICAL SECTION
STA. 15+26 TO STA. 20+03

- LEGEND**
- | | | |
|---|--|--|
| <ul style="list-style-type: none"> (A) EXISTING HMA BINDER & SURFACE, 3" (B) EXISTING HMA PAVEMENT (C) EXISTING P.C.C. BASE COURSE (D) EXISTING AGGREGATE SUBGRADE, 4" (E) EXISTING BITUMINOUS SHOULDER, 8" (F) EXISTING COMB. CONCRETE CURB & GUTTER, TYPE B-6.12 (G) EXISTING COMB. CONCRETE CURB & GUTTER, TYPE B-6.24 (H) EXISTING SIDEWALK (I) EXISTING BITUMINOUS PATH | <ul style="list-style-type: none"> (1) HMA SURFACE REMOVAL, 1-1/2" (2) HMA SURFACE REMOVAL, 3" (3) POLY. HMA SURFACE COURSE, MIX "F", N90, 1-3/4" (4) LEVELING BINDER (MM), IL-9.5, N70, 1-1/4" (5) HMA SURFACE COURSE, MIX "D", N70, 1-1/2" (6) BITUMINOUS MATERIALS (PRIME COAT) (7) AGGREGATE (PRIME COAT) (8) SUB-BASE GRANULAR MATERIAL, 4" (9) HMA BASE COURSE, VARIES 11" TO 13" | <ul style="list-style-type: none"> (10) P.C.C. COMBINATION CURB AND GUTTER, TYPE B-6.12 (11) P.C.C. COMBINATION CURB AND GUTTER, TYPE B-6.24 (12) CLASS D PATCH (AS DIRECTED BY THE ENGINEER), VARIES 11" TO 13" (13) CLASS D PATCH, 7" (AS DIRECTED BY THE ENGINEER), (SHOULDER) (14) COMB. CONC. CURB & GUTTER REMOVAL (AS DIRECTED BY THE ENGINEER) (15) SIDEWALK REMOVAL (AS DIRECTED BY THE ENGINEER) |
|---|--|--|

DESIGNED - MR	REVISED -
DRAWN - DN	REVISED -
CHECKED - MR	REVISED -
DATE -	REVISED -

F.A.P. RTE.	SECTION	COUNTY	TOTAL SHEETS	SHEET NO.
0369	10-00288-02-RS	DUPAGE	29	5
CONTRACT NO. 63575				
ILLINOIS FED. AID PROJECT				