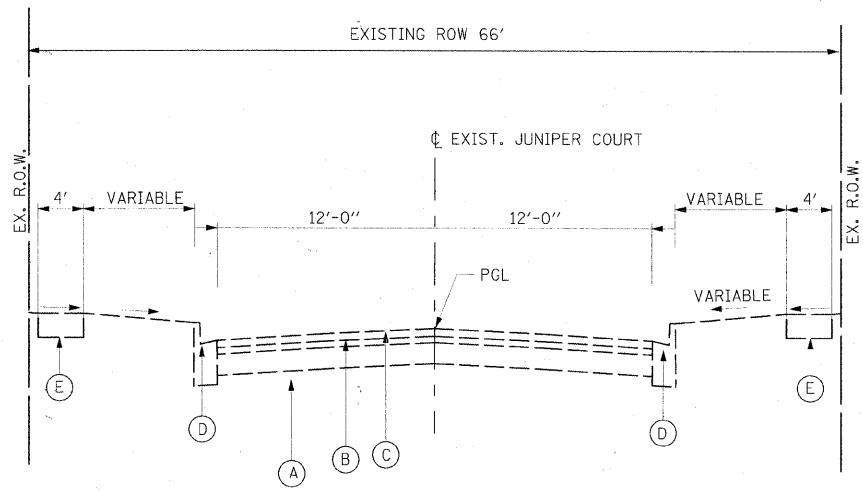


DATE	BY
DESIGNED	BY
DRAWN	BY
CHECKED	BY
DATE	BY

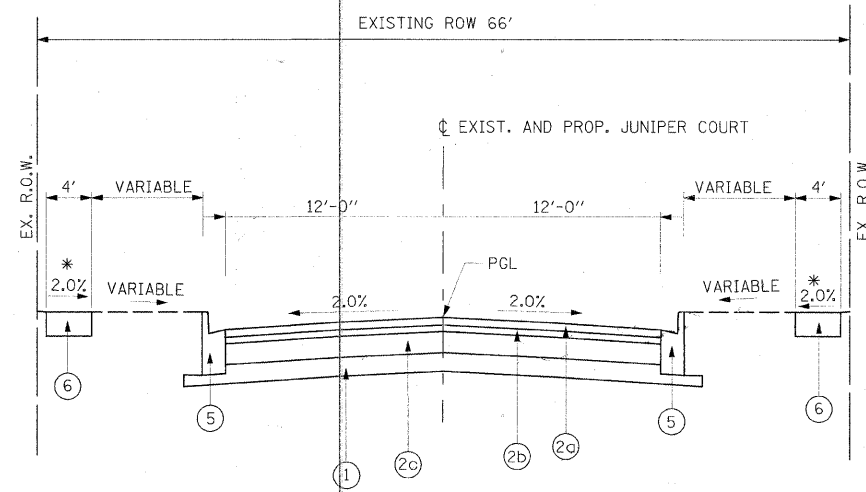
DATE	BY
DESIGNED	BY
DRAWN	BY
CHECKED	BY
DATE	BY



EXISTING TYPICAL SECTION
JUNIPER COURT

LEGEND (EXISTING):

- (A) 10" AGGREGATE BASE COURSE
- (B) 1-1/2" BINDER COURSE
- (C) 1-1/2" BITUMINOUS CONC. SURFACE COURSE
- (D) COMBINATION CURB AND GUTTER, TYPE B-6.12
- (E) P.C.C. SIDEWALK



PROPOSED TYPICAL SECTION
JUNIPER COURT

NOTE:
* 1% MINIMUM

LEGEND (PROPOSED):

- (1) SUB-BASE GRANULAR MATERIAL, TYPE B (5")
- (2) HOT-MIX ASPHALT PAVEMENT (FULL-DEPTH) 9-1/2"
- (2a) HOT-MIX ASPHALT SURFACE COURSE, MIX "C", N50 (1-1/2")
- (2b) HOT-MIX ASPHALT BINDER COURSE, IL-19.0, N50 (2-1/4")
- (2c) HOT MIX ASPHALT BASE COURSE 5-1/4"
- (5) COMBINATION CONCRETE CURB AND GUTTER, TYPE M-4.12
- (6) PORTLAND CEMENT CONCRETE SIDEWALK, 5 INCH

HOT-MIX ASPHALT MIXTURE REQUIREMENTS

ITEM	VOIDS
ROADWAY PAVEMENT	
HOT-MIX ASPHALT SURFACE COURSE, MIX "C", N50 (IL 9.5MM) 2"	4% @ 50 Gyr.
HOT-MIX ASPHALT BINDER COURSE, IL-19.0, N50 2-1/4"	4% @ 50 Gyr.
HOT-MIX ASPHALT BASE COURSE (IN 2 LIFTS) (HMA BINDER, IL-19.0) 5-1/4"	4% @ 50 Gyr.
BRIDGE APPROACH PAVEMENT CONNECTOR (FLEXIBLE)	
HOT-MIX ASPHALT SURFACE COURSE, MIX "C", N50 (IL 9.5MM) 2"	4% @ 50 Gyr.
HOT-MIX ASPHALT BINDER COURSE, IL-19.0, N50 2-1/4"	4% @ 50 Gyr.
HOT-MIX ASPHALT BASE COURSE (IN 3 LIFTS) (HMA BINDER, IL-19.0) VARIES 5-1/4" TO 10-3/4"	4% @ 50 Gyr.

THE UNIT WEIGHT USED TO CALCULATE ALL HOT-MIX ASPHALT SURFACE MIXTURES IS 112 LBS/ SQ YD/IN

THE "AC TYPE" FOR POLYMERIZED HMA MIXES SHALL BE "SBS/SBR PG 70-22", AND FOR NON-POLYMERIZED HMA, THE "AC TYPE" SHALL BE PG 64-22, UNLESS MODIFIED BY DISTRICT ONE SPECIAL PROVISIONS.

FOR "PERCENT OF RAP", SEE DISTRICT ONE SPECIAL PROVISIONS.

URS
100 S. WACKER DR.
SUITE 500
CHICAGO, IL 60606
TEL (312) 939-1000
FAX (312) 939-4198

USER NAME: *
PLOT SCALE: #SCALE#
PLOT DATE: #DATE#

DESIGNED L. LAWS
DRAWN 1/15/11
CHECKED J. BUCHOLC
DATE 1/28/11

REVISED -
REVISED -
REVISED -
REVISED -

VILLAGE OF DEERFIELD
JUNIPER COURT OVER THE WEST FORK,
NORTH BRANCH OF THE CHICAGO RIVER

TYPICAL SECTIONS

SCALE: NTS SHEET NO. 4 OF 16 SHEETS STA. TO STA.

F.A.U. SECTION COUNTY TOTAL SHEET SHEETS NO.
RTE. 09-00084-00-BR LAKE 16 4
CONTRACT NO. 63587
FED. ROAD DIST. NO. ILLINOIS FED. AID PROJECT