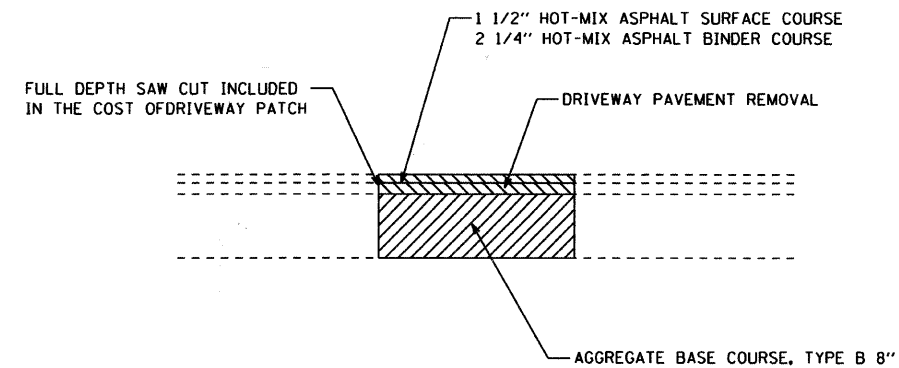


SIDEWALK SPECIAL
CONCRETE FINISH DETAIL



HOT-MIX ASPHALT MIXTURE REQUIREMENTS:

| MIXTURE TYPE | AIR VOIDS @Ndes |
|--|-----------------|
| HOT-MIX ASPHALT SURFACE COURSE, MIX "C", N50 (IL-9.5mm) 1 1/2" | 4% @ 50 GYR. |
| HOT-MIX ASPHALT BASE COURSE (HMA BINDER IL-19.0mm) 2 1/4" | 4% @ 50 GYR. |

THE UNIT WEIGHT USED TO CALCULATE ALL HMA SURFACE MIXTURE QUANTITIES IS 112 LB/SO YD/IN.

THE "AC TYPE" FOR POLYMERIZED HMA MIXES SHALL BE "SBS/SBR PG 70-22" AND FOR NON-POLYMERIZED HMA, THE "AC TYPE" SHALL BE "PG 64-22" UNLESS MODIFIED BY DISTRICT ONE SPECIAL PROVISIONS.

FOR "PERCENT OF RAP", SEE DISTRICT ONE SPECIAL PROVISIONS.

DRIVEWAY PATCHING DETAIL

FILE NAME = N:\PROJ\5175\Design\Detail\5175-Des.dwg

Ciorba Group, Inc.
CONSULTING ENGINEERS
5507 North Cumberland Avenue, Suite 402
Chicago, Illinois 60656
Tel. 773.775.4009 Fax 773.775.4014

| | | |
|----------------------------|-------------------|-----------|
| USER NAME = rnumbev | DESIGNED - RJR | REVISED - |
| | DRAWN - RJR | REVISED - |
| PLOT SCALE = 1/8" = 1' IN. | CHECKED - JMV | REVISED - |
| PLOT DATE = 4/11/2011 | DATE - 03/22/2011 | REVISED - |

STATE OF ILLINOIS
DEPARTMENT OF TRANSPORTATION

SHERIDAN ROAD TRAFFIC SIGNAL IMPROVEMENTS & INTERCONNECT
DRIVEWAY PATCHING & CONCRETE FINISH DETAIL

SCALE: 1"=50' SHEET NO. 34 OF 35 SHEETS STA. TO STA.

| | | | | |
|---|----------------|--------|--------------|-----------|
| F.A.P. RTE. | SECTION | COUNTY | TOTAL SHEETS | SHEET NO. |
| 2736 | 09-00169-00-TL | LAKE | 35 | 34 |
| CONTRACT NO. 63592 | | | | |
| FED. ROAD DIST. NO. 1 ILLINOIS FED. AID PROJECT | | | | |