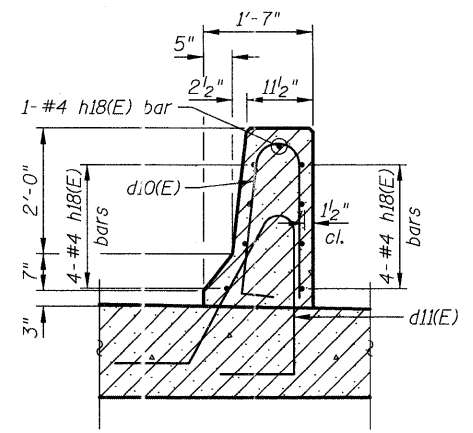
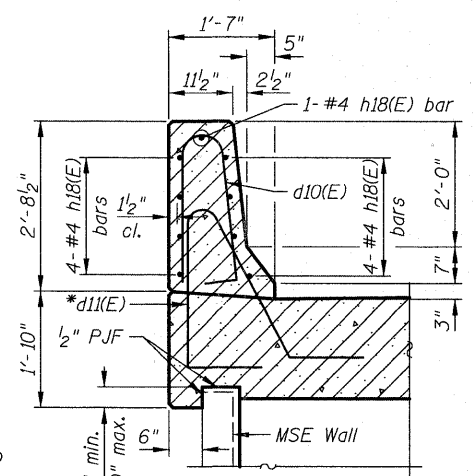


\*\* Align Bar Splicer (E) parallel to approach slab reinforcement.

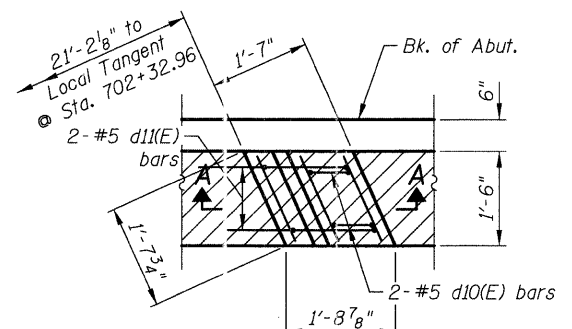


SECTION A-A



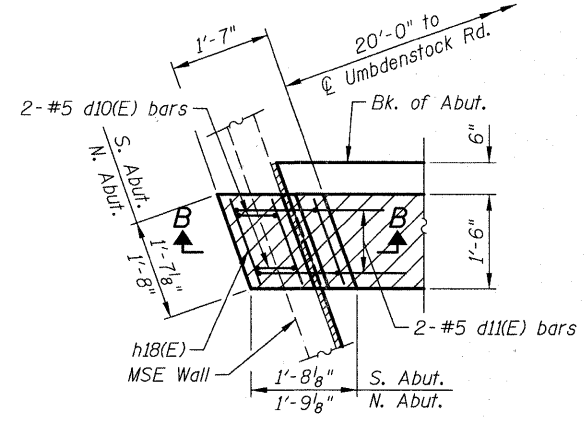
SECTION B-B

\*Cut bars in field to miss MSE wall Panel



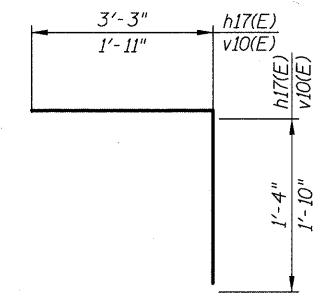
DETAIL "A"

(South Abutment shown, North Abutment is mirror image.)

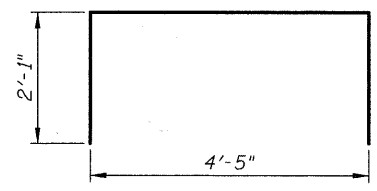


DETAIL "B"

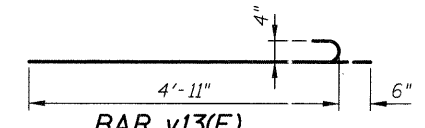
(South Abutment shown, North Abutment is mirror image.)



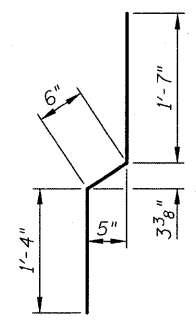
BARS h17(E) & v10(E)



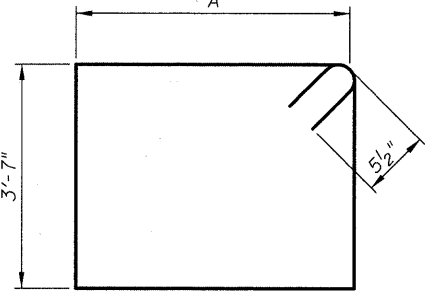
BAR s13(E)



BAR v13(E)

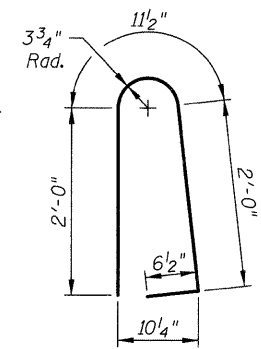


BAR v12(E)

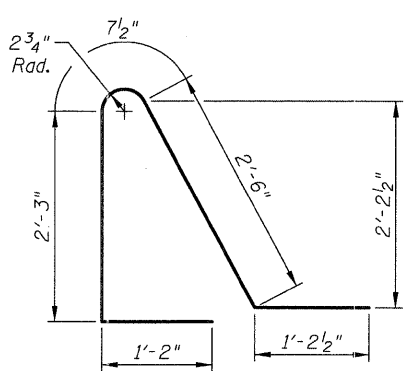


BAR s10(E) thru s12(E)

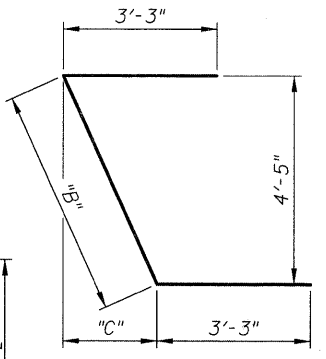
Bar	A
s10(E)	4'-5"
s11(E)	4'-10"
s12(E)	4'-8"



BAR d10(E)

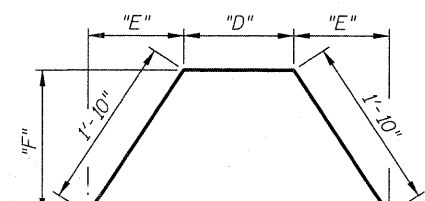


BAR d11(E)



BAR u10(E) thru u12(E)

Bar	B	C
u10(E)	4'-8"	1'-6 <sup>7</sup> / <sub>8</sub> "
u11(E)	4'-10"	1'-11 <sup>7</sup> / <sub>8</sub> "
u12(E)	4'-11"	2'-1 <sup>5</sup> / <sub>8</sub> "



BAR v14(E) and v15(E)

Bar	D	E	F
v14(E)	1'-0"	1'-1 <sup>4</sup> / <sub>8</sub> "	1'-5 <sup>8</sup> / <sub>8</sub> "
v15(E)	1'-2"	1'-0 <sup>8</sup> / <sub>8</sub> "	1'-6 <sup>3</sup> / <sub>8</sub> "

BILL OF MATERIAL

Bar	No.	Size	Length	Shape
d10(E)	8	#5	5'-6"	⏏
d11(E)	8	#5	7'-9"	⏏
h10(E)	8	#5	26'-9"	—
h11(E)	2	#5	10'-10"	—
h12(E)	4	#5	13'-8"	—
h13(E)	2	#5	12'-9"	—
h14(E)	4	#5	5'-4"	—
h15(E)	8	#6	28'-3"	—
h16(E)	2	#5	27'-10"	—
h17(E)	8	#5	4'-7"	⏏
h18(E)	44	#4	1'-3"	—
h19(E)	8	#5	27'-10"	—
h20(E)	2	#5	11'-10"	—
h21(E)	2	#5	13'-10"	—
h22(E)	8	#6	29'-4"	—
h23(E)	2	#5	29'-0"	—
p10(E)	12	#7	28'-1"	—
p11(E)	3	#7	15'-5"	—
p12(E)	12	#7	29'-0"	—
p13(E)	3	#7	23'-4"	—
s10(E)	97	#5	16'-11"	⏏
s11(E)	3	#5	17'-9"	⏏
s12(E)	4	#5	17'-5"	⏏
s13(E)	33	#4	8'-7"	⏏
t10(E)	186	#4	8'-2"	—
t11(E)	6	#4	8'-11"	—
t12(E)	8	#4	8'-8"	—
t13(E)	8	#4	8'-5"	—
u10(E)	2	#5	11'-2"	⏏
u11(E)	4	#5	11'-4"	⏏
u12(E)	2	#5	11'-5"	⏏
v10(E)	104	#5	3'-9"	⏏
v11(E)	104	#4	5'-6"	—
v12(E)	104	#4	3'-5"	—
v13(E)	104	#4	5'-5"	—
v14(E)	8	#5	4'-8"	⏏
v15(E)	8	#5	4'-10"	⏏
w10(E)	18	#5	26'-10"	—
w11(E)	18	#4	26'-8"	—
w12(E)	18	#5	27'-8"	—
w13(E)	18	#4	27'-6"	—
Concrete Structures		Cu. Yd.	128.9	
Concrete Superstructure		Cu. Yd.	10.5	
Reinforcement Bars, Epoxy Coated		Pound	9,700	
Bar Splicers		Each	104	
Concrete Sealer		Sq. Ft.	592	

Bars indicated thus 9x2-#5 etc. indicates 9 lines of bars with 2 lengths per line.

Notes:  
Hatched area to be poured after superstructure false work has been removed. Quantity of concrete included with Concrete Superstructure.  
Concrete sealer shall be applied to backwalls and bridge seats.

3/24/2011 4:16:41 PM J:\2312\cad\struct\15\_Abutment\_Details.dgn