

Notes:

Panels must be arranged to provide continuous vertical joints for the full height of the wall to accommodate potential differential settlement.

Stations and offsets measured from the centerline of Umdenstock Rd. to the front face of the precast panels.

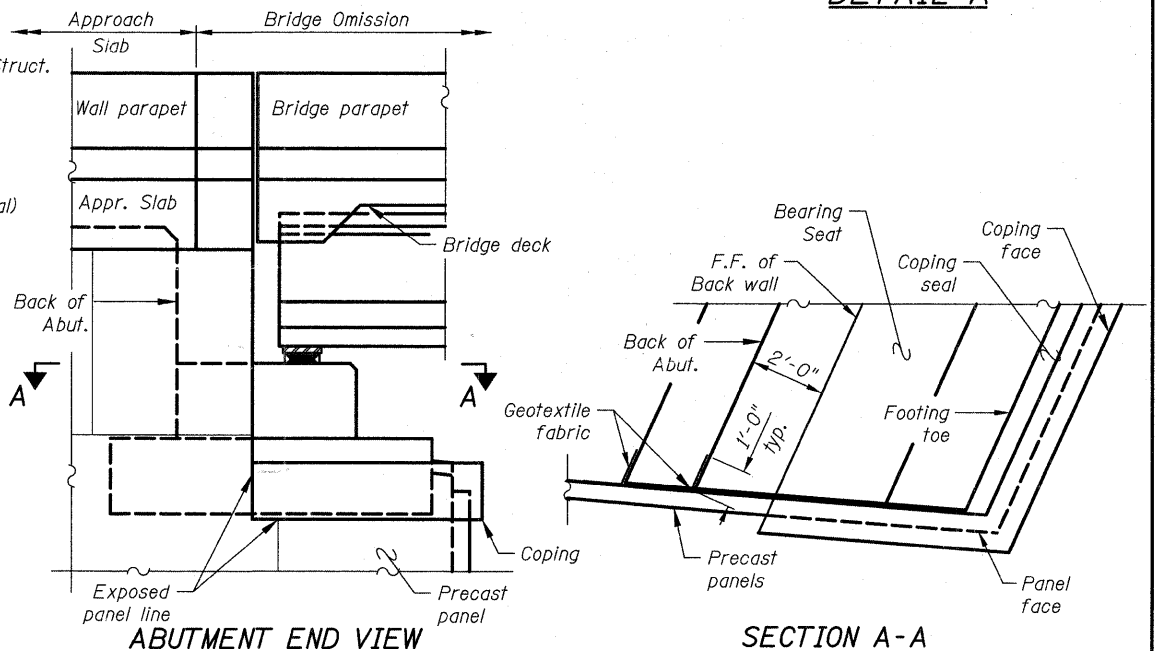
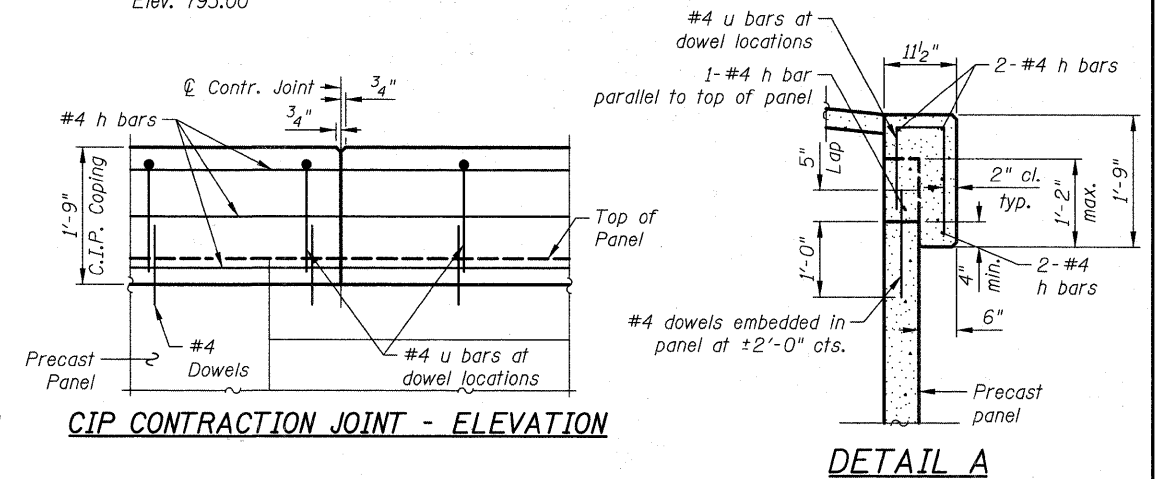
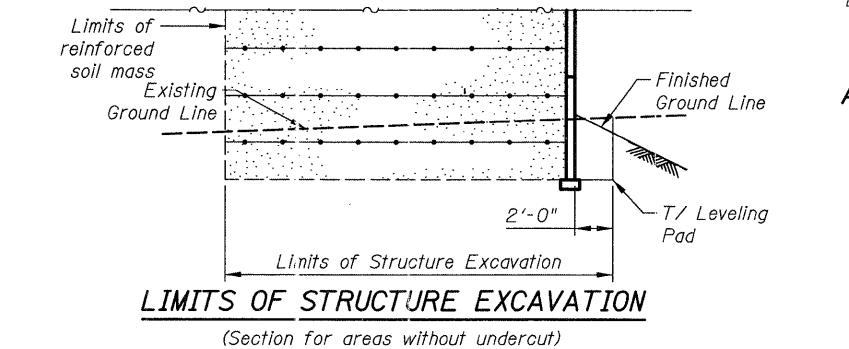
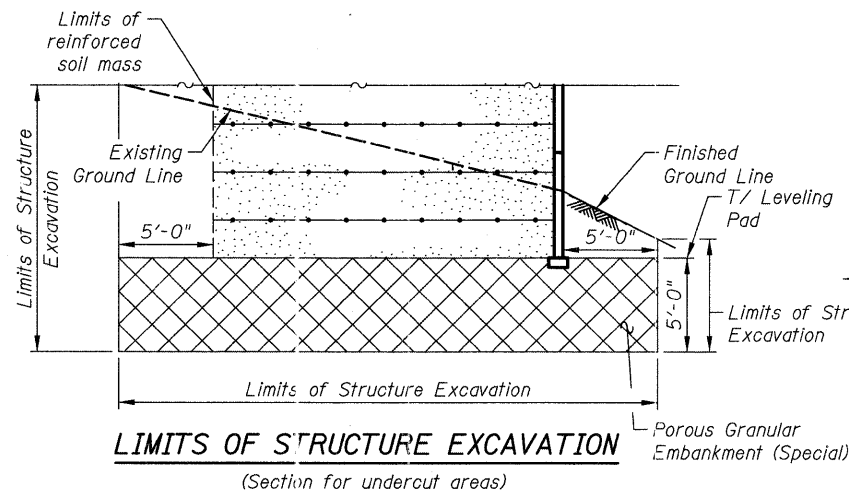
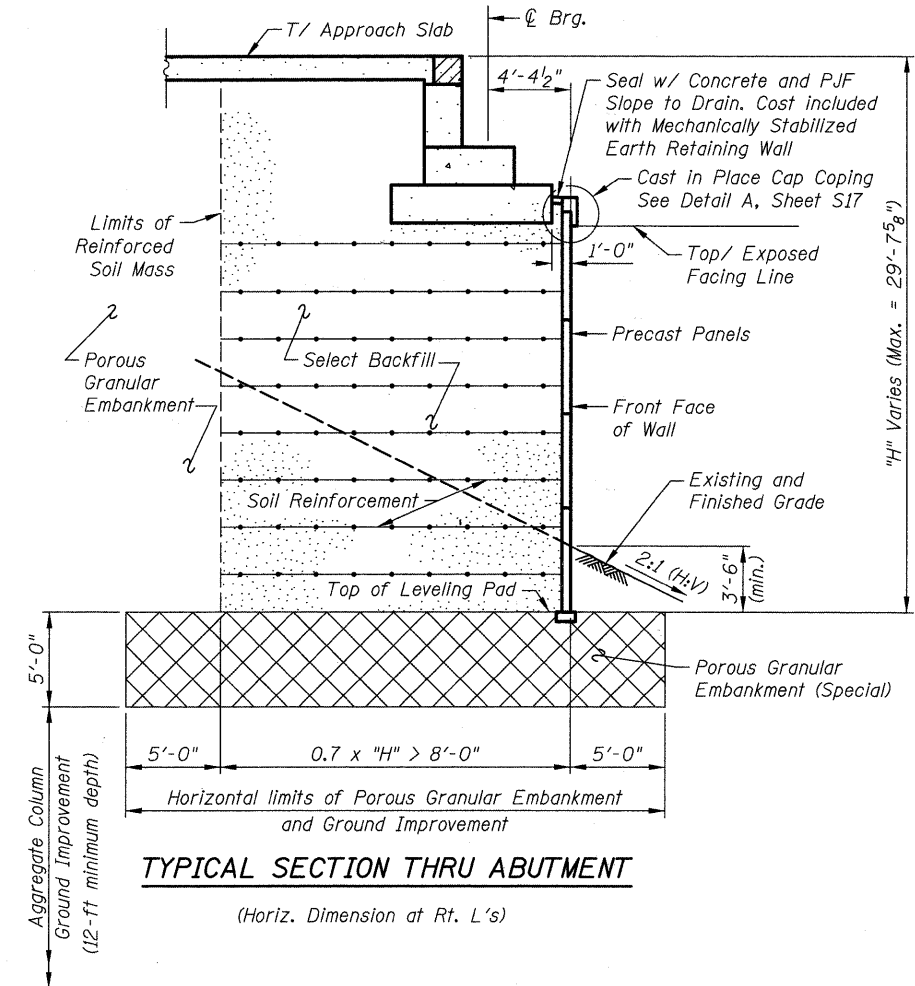
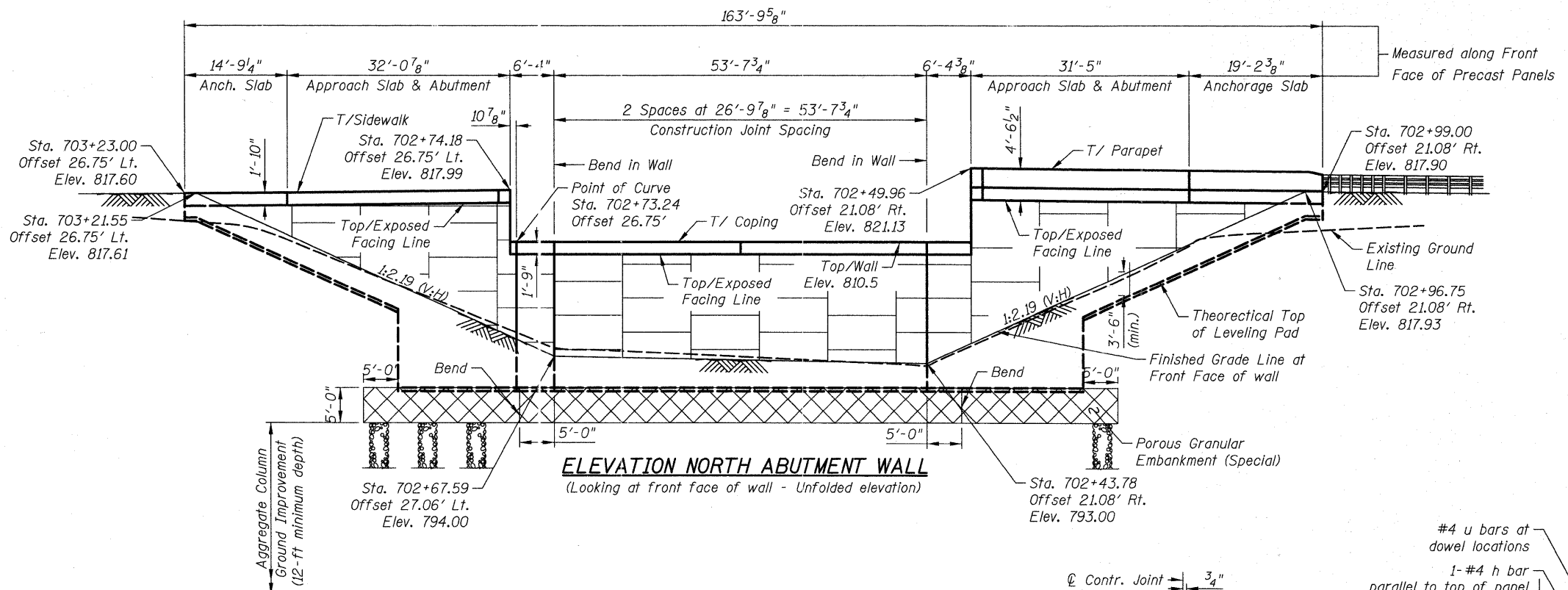
The limits and quantities of removal and replacement shown are based on the boring data and may be modified by the District Geotechnical and Field Engineers for variable subsurface conditions encountered in the field.

Concrete and Reinforcement in C.I.P. Coping and C.I.P. panels to be included in the pay item Mechanically Stabilized Earth Retaining Wall

BILL OF MATERIAL

ITEM	UNIT	TOTAL
Structure Excavation	Cu. Yd.	2,137
Aggregate Column	L. Sum	1
Ground Improvement		
Porous Granular Embankment (Special)	Cu. Yd.	723
Mechanically Stabilized Earth Retaining Wall	Sq. Ft.	5,514

*The MSE wall supplier's internal stability design shall account for the footing's bearing pressure surcharge of 4 ksf and horizontal sliding force of 3.15 kips/ft. of abutment



J:\2312\road\structure\T_MSE Wall Details 2.dgn 4/16/11 4:45 PM