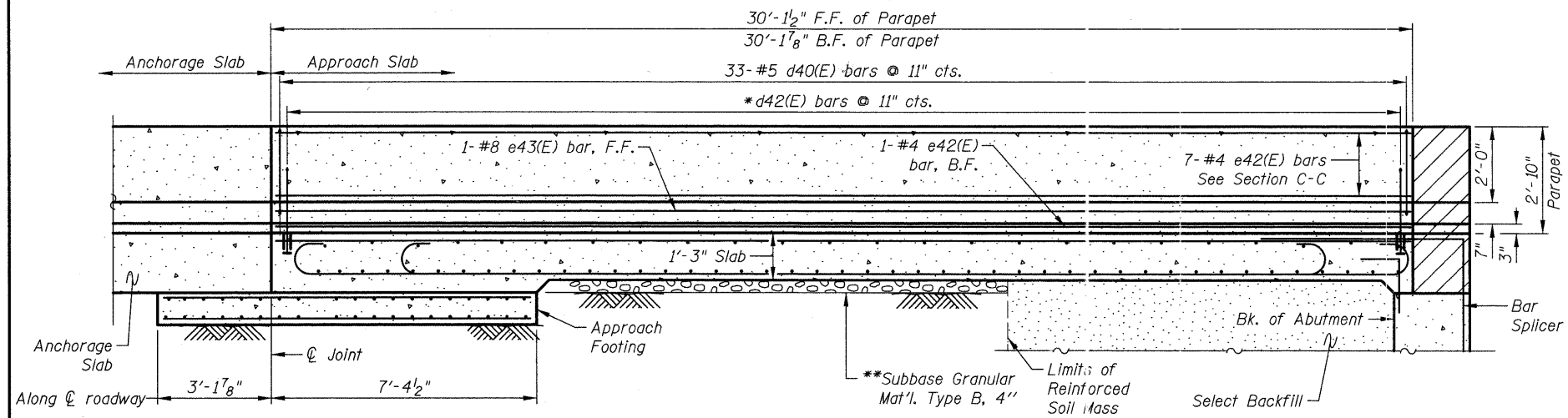
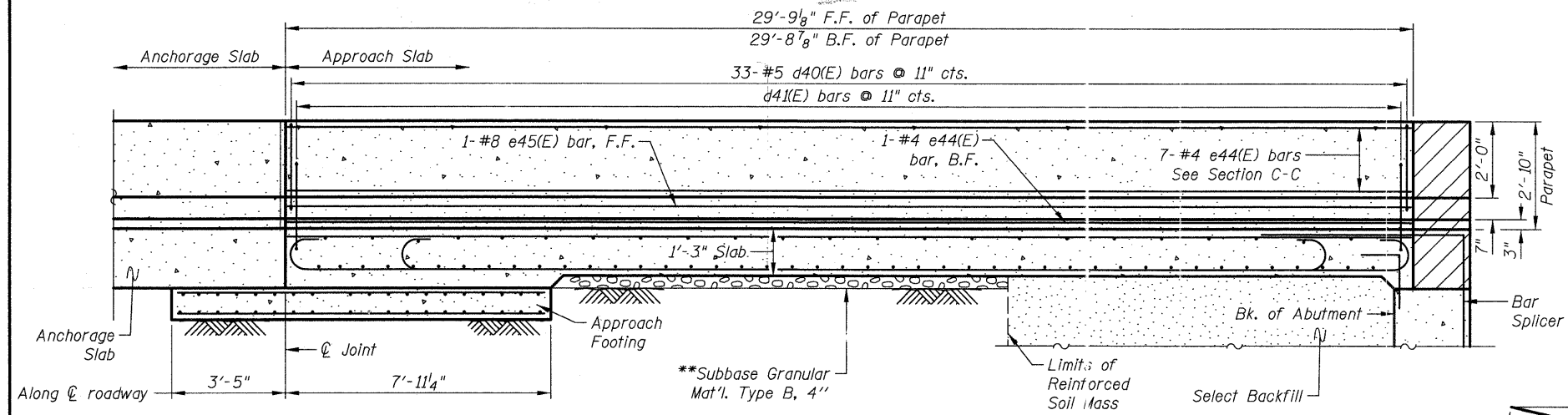


**TWO APPROACHES
BILL OF MATERIAL**

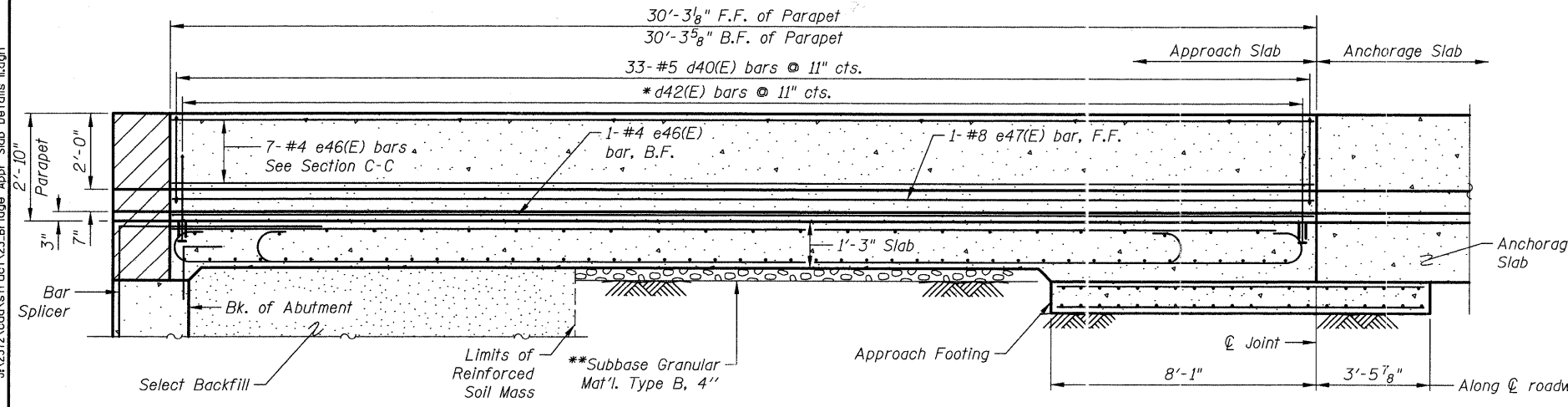
Bar	No.	Size	Length	Shape
a40(E)	72	#4	19'-1"	
a41(E)	90	#5	27'-8"	
a42(E)	96	#6	7'-11"	
a43(E)	72	#4	20'-4"	
a44(E)	90	#5	29'-7"	
a45(E)	180	#5	9'-0"	
b40(E)	40	#4	29'-8"	
b41(E)	228	#9	30'-0"	
b42(E)	41	#4	29'-6"	
d40(E)	132	#5	5'-7"	
d41(E)	66	#5	7'-11"	
d42(E)	66	#5	4'-5"	
e40(E)	8	#4	29'-7"	
e41(E)	1	#8	29'-7"	
e42(E)	8	#4	29'-10"	
e43(E)	1	#8	29'-10"	
e44(E)	8	#4	29'-6"	
e45(E)	1	#8	29'-6"	
e46(E)	8	#4	30'-0"	
e47(E)	1	#8	30'-0"	
h40(E)	2	#4	29'-10"	
h41(E)	2	#4	29'-8"	
h42(E)	2	#4	29'-6"	
h43(E)	2	#4	30'-0"	
t40(E)	92	#4	10'-2"	
t41(E)	92	#4	11'-2"	
w40(E)	80	#5	25'-0"	
w41(E)	80	#5	27'-3"	
Concrete Structures		Cu. Yd.	30.5	
Concrete Superstructure		Cu. Yd.	156.7	
Bridge Deck Grooving		Sq. Yd.	252	
Protective Coat		Sq. Yd.	364	
Reinforcement Bars, Epoxy Coated		Pound	43,360	



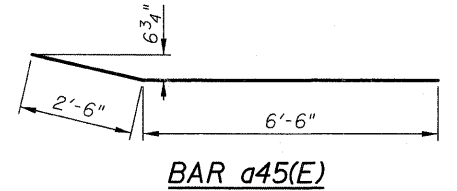
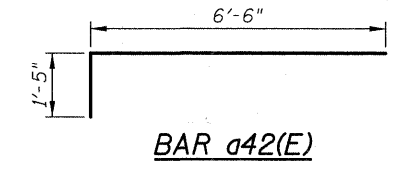
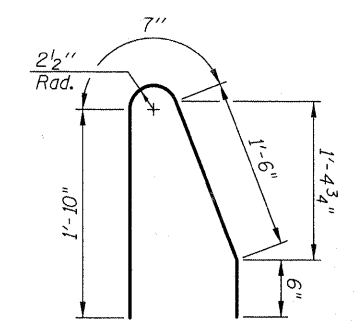
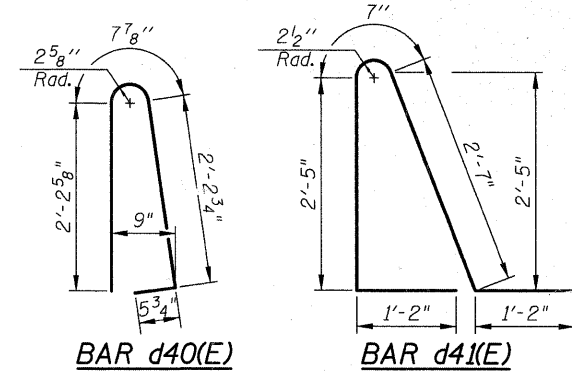
SECTION E-E
(See Section B-B on sheet S22 for Balance of Information)



SECTION F-F
(See Section B-B on sheet S22 for Balance of Information)



SECTION G-G
(See Section B-B on sheet S22 for Balance of Information)

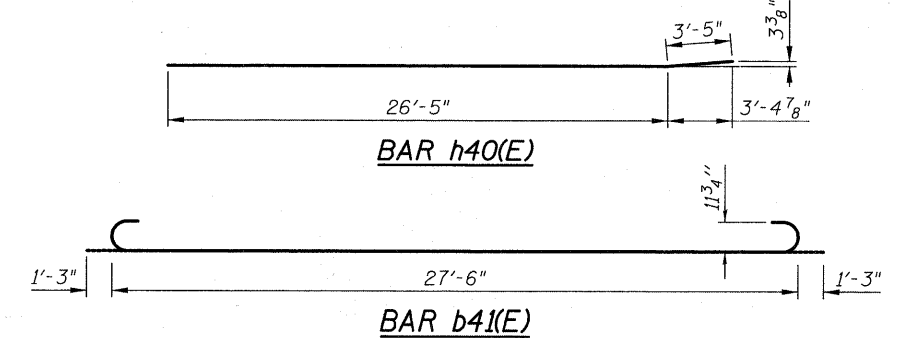


Hatched area to be poured after superstructure false work has been removed. See Abutment Sheets S13 thru S15.

* Core and set #5 d42(E) bars according to Article 509.06 of the Standard Specifications. Cored holes shall be roughened or scored per manufacturer's recommendations. Maximum depth of the hole shall not exceed 6".

** Cost included with Concrete Superstructure.

Notes:
Approach slab and parapet concrete shall be paid for as Concrete Superstructure. Approach footing concrete shall be paid for as Concrete Structures. Reinforcement shall be paid for as Reinforcement Bars, Epoxy Coated. The approach footing maximum applied service bearing pressure (Qmax) = 2.0 ksf. For bar splicer details, see sheet S25. Cost of excavation for approach footing included with Concrete Structures.



J:\2372\cod\struct\23-Bridge Appr. Slab Details II.dgn
 4/16/11 3:24:20 PM

CIVILTECH
 450 E Devon Ave, Suite 300
 Itasca, Illinois 60143
 Tel: 630.773.3900 Fax: 630.773.3975
 www.civiltechinc.com

DESIGNED - D. Atkins	REVISED -
DRAWN - D. Atkins	REVISED -
CHECKED - G. Hatlestad	REVISED -
DATE - March 25, 2011	REVISED -

**STATE OF ILLINOIS
DEPARTMENT OF TRANSPORTATION**

**BRIDGE APPROACH SLAB DETAILS II
UMBENSTOCK ROAD OVER CC&P RR
STRUCTURE NO. 045-3162**
 SHEET NO. S23 OF S28 SHEETS

F.A.P. RTE. 361	SECTION 06-00214-27-BR	COUNTY KANE	TOTAL SHEETS 87	SHEET NO. 56
CONTRACT NO. 63595				
FED. ROAD DISTRICT 1 ILLINOIS FED. AID PROJECT				