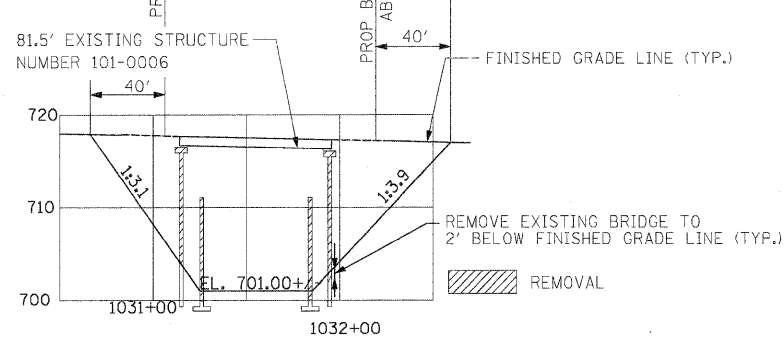


MATCHLINE 741+50.00
MATCHLINE 1030+09.68
MATCHLINE 156+66.28
MATCHLINE 756+50.00



SECTION A-A

EXISTING PLAN AND REMOVAL NOTES

ADDITIONAL REMOVALS SHOWN IN THE DRAINAGE PLANS, SIGNAL PLANS.

ALL FENCE MATERIAL OTHER THAN CHAIN LINK WILL BE INCLUDED IN CLEARING.

BITUMINOUS DRIVEWAYS ON AGGREGATE BASE COURSE REMOVAL WILL BE INCLUDED IN EARTH EXCAVATION.

ANY HOT-MIX ASPHALT PAVEMENT REMOVAL WHICH IS LESS THAN 6" IN THICKNESS WILL BE PART OF EARTH EXCAVATION.

MAILBOX LOCATIONS WILL BE UPDATED BASED ON DISTRICT 2 STANDARDS (SEE GENERAL NOTES).

- LEGEND:**
- PAVEMENT REMOVAL
 - DRIVEWAY PAVEMENT REMOVAL
 - SHOULDER REMOVAL
 - TREE REMOVAL, ACRES
 - BUILDING REMOVAL
 - GUTTER REMOVAL
 - 12" TREE REMOVAL (UNIT DIAMETER)
 - CHAINLINK FENCE REMOVAL

- EXISTING UTILITIES LEGEND**
- UNDERGROUND TELEPHONE LINE
 - UNDERGROUND FIBER OPTIC LINE
 - UNDERGROUND GAS LINE
 - AERIAL LINE

**STATE OF ILLINOIS
DEPARTMENT OF TRANSPORTATION**

ILLINOIS ROUTE 2
EXISTING PLAN AND REMOVALS 5
STA 741+50 TO 756+50

SCALE: 1"=50'
SHEET NO. 56 OF 530 SHEETS

F.A.P. RTE.	SECTION	COUNTY	TOTAL SHEETS	SHEET NO.
734	77-2-2 & 77-28-1	WINNEBAGO	530	56

CONTRACT NO. 64813

FED. ROAD DIST. NO. ILLINOIS FED. AID PROJECT

USER NAME: thompson	DESIGNED STS/GC	REVISED
PLOT SCALE: 5/8"=1'-0" FT / IN.	DRAWN RDT	REVISED
PLOT DATE: 4/4/2013	CHECKED GC	REVISED
	DATE 01-14-11	REVISED