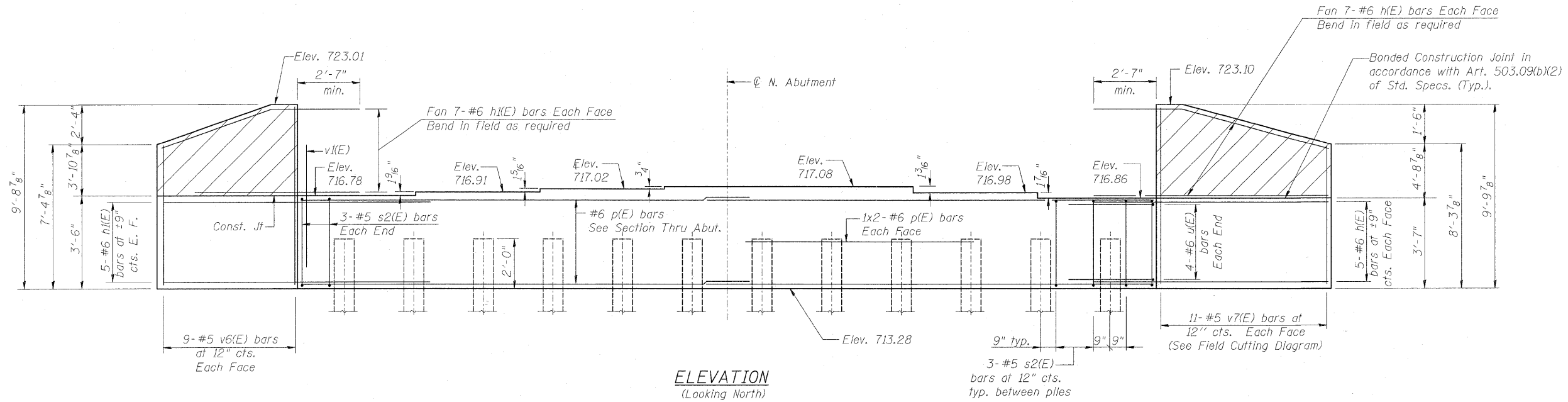
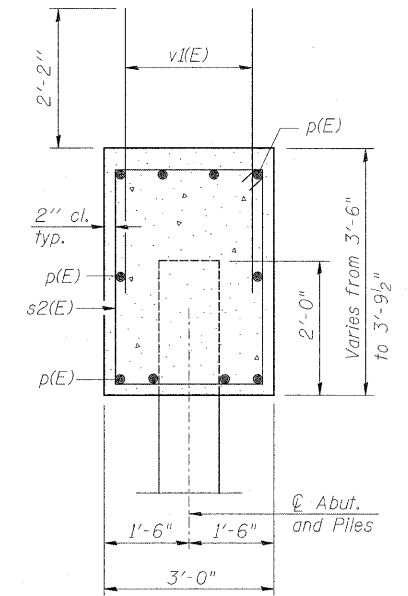


STATE OF ILLINOIS
DEPARTMENT OF TRANSPORTATION



ELEVATION
(Looking North)



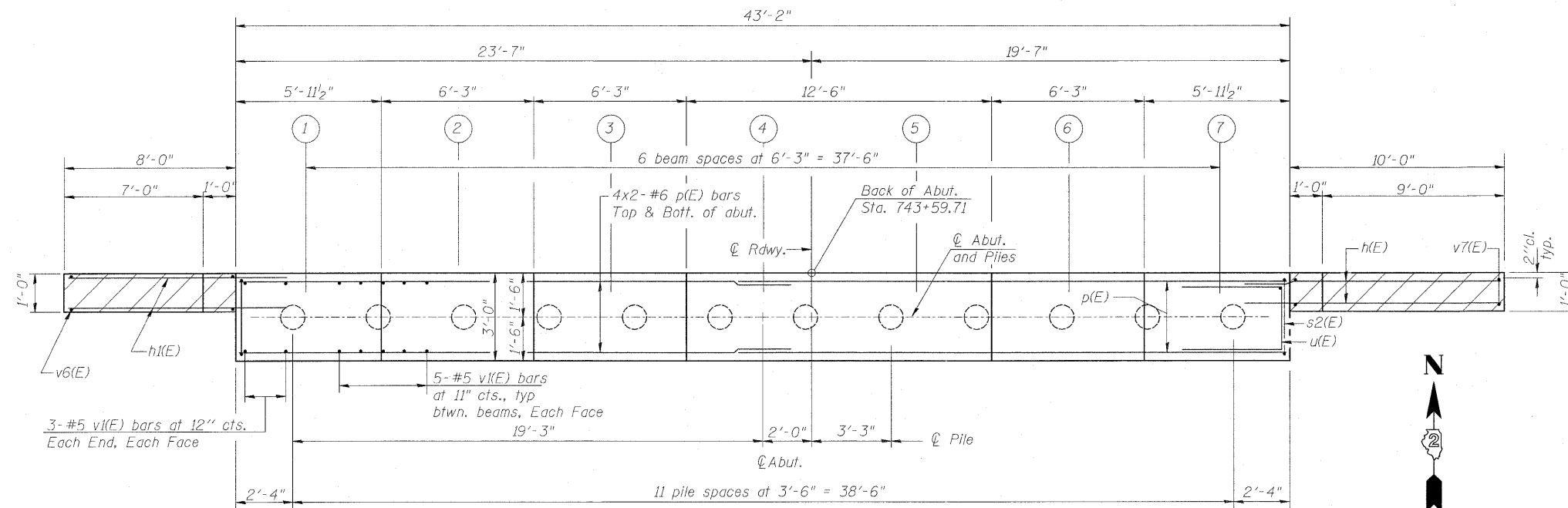
SEC. THRU ABUT.

PILE DATA

Type and Size: 12" ϕ Metal Shell w/1/4" walls
Nominal Required Bearing: 330 kips
Allowable Resistance Available: 110 kips
Est. Pile Length: 46'
Number of Production: 11
Number of Test Piles: 1
The metal shell piles shall be according to ASTM A252, Grade 3.
Piles shall be driven thru 18" ϕ pre-cored holes extending to Elev. \pm 698.

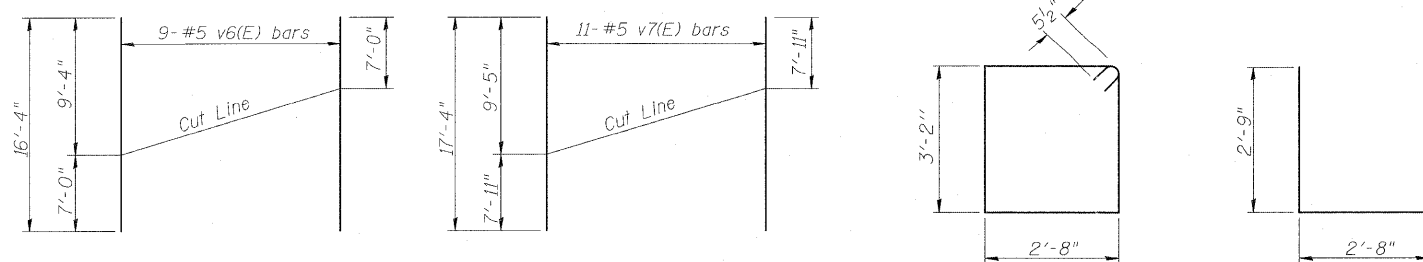
BILL OF MATERIAL

Bar	No.	Size	Length	Shape
h(E)	24	#6	13'-1"	—
h1(E)	24	#6	11'-1"	—
p(E)	20	#6	22'-6"	—
s2(E)	39	#5	12'-7"	□
u(E)	8	#6	8'-2"	—
v1(E)	72	#5	4'-4"	—
v6(E)	9	#5	16'-4"	—
v7(E)	11	#5	17'-4"	—
Concrete Structures		Cu. Yd.	20.0	
Reinforcement Bars, Epoxy Coated		Pound	2850	
Test Pile Metal Shell		Each	1	
Furnishing Metal Shell Piles, 12" x 0.250"		Foot	506	
Driving Piles		Foot	506	
Structure Excavation		Cu. Yd.	158	



PLAN

Min. Lap Bar #6 = 2'-7"



FIELD CUTTING DIAGRAM

Order v6(E) & v7(E) full length. Cut as shown and use remainder of bars in opposite face.

BAR s2(E)

BAR u(E)

- Notes:
- 1) Pour steps monolithically with cap.
 - 2) Reinforcement bars designated (E) shall be epoxy coated.
 - 3) All edges shall have 3/4" chamfers except as noted.
 - 4) Hatched area to be poured with deck after beams are in place. Quantity of concrete for hatched area included with "Concrete Superstructure" on Sheet 15.
 - 5) The test pile shall be driven to 110 percent of the Nominal Required Bearing indicated in the pile data information.

DESIGNED - JAN
CHECKED - BTQ
DRAWN - BTQ
CHECKED - JAN

NORTH ABUTMENT SOUTHBOUND
STRUCTURE NO. 101-0177

SHEET NO. 24 30 SHEETS	F.A.P. RTE.	SECTION	COUNTY	TOTAL SHEETS	SHEET NO.
	734	77-2B-1, 77-2-2	WINNEBAGO	530	296
FED. ROAD DIST. NO.			ILLINOIS	FED. AID PROJECT	
CONTRACT NO. 64813					