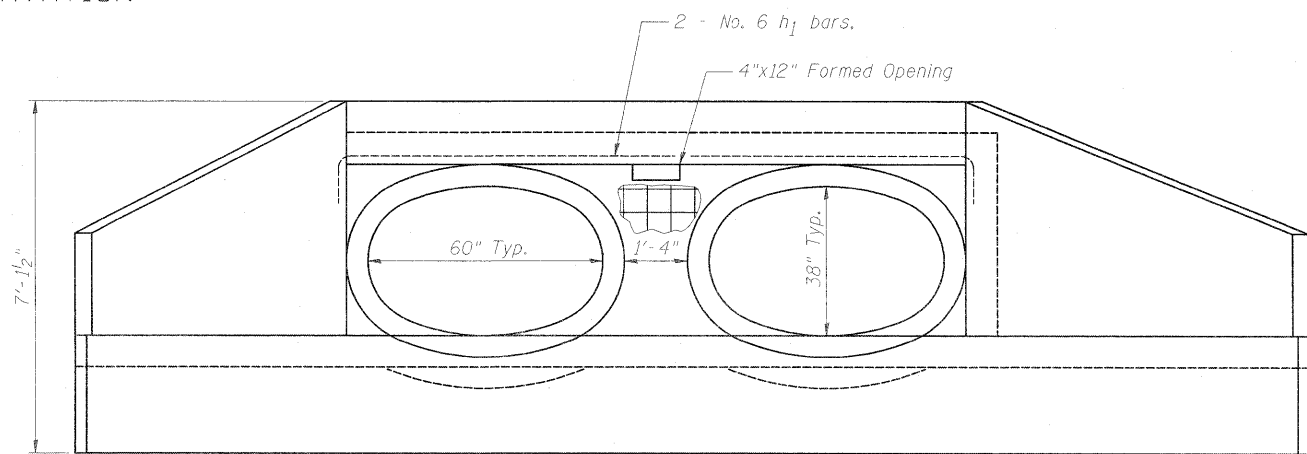
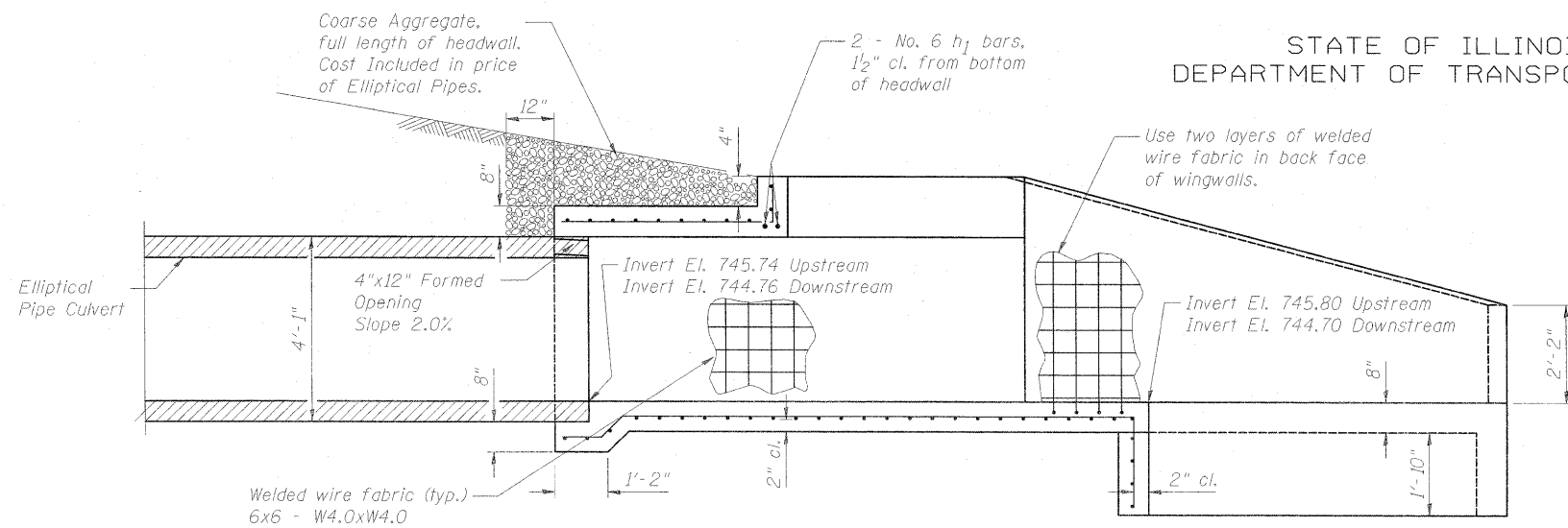
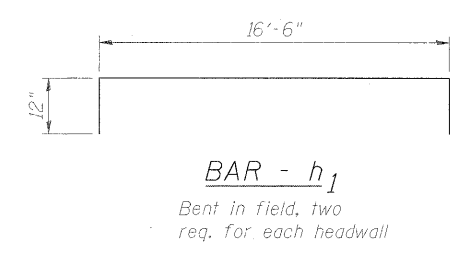
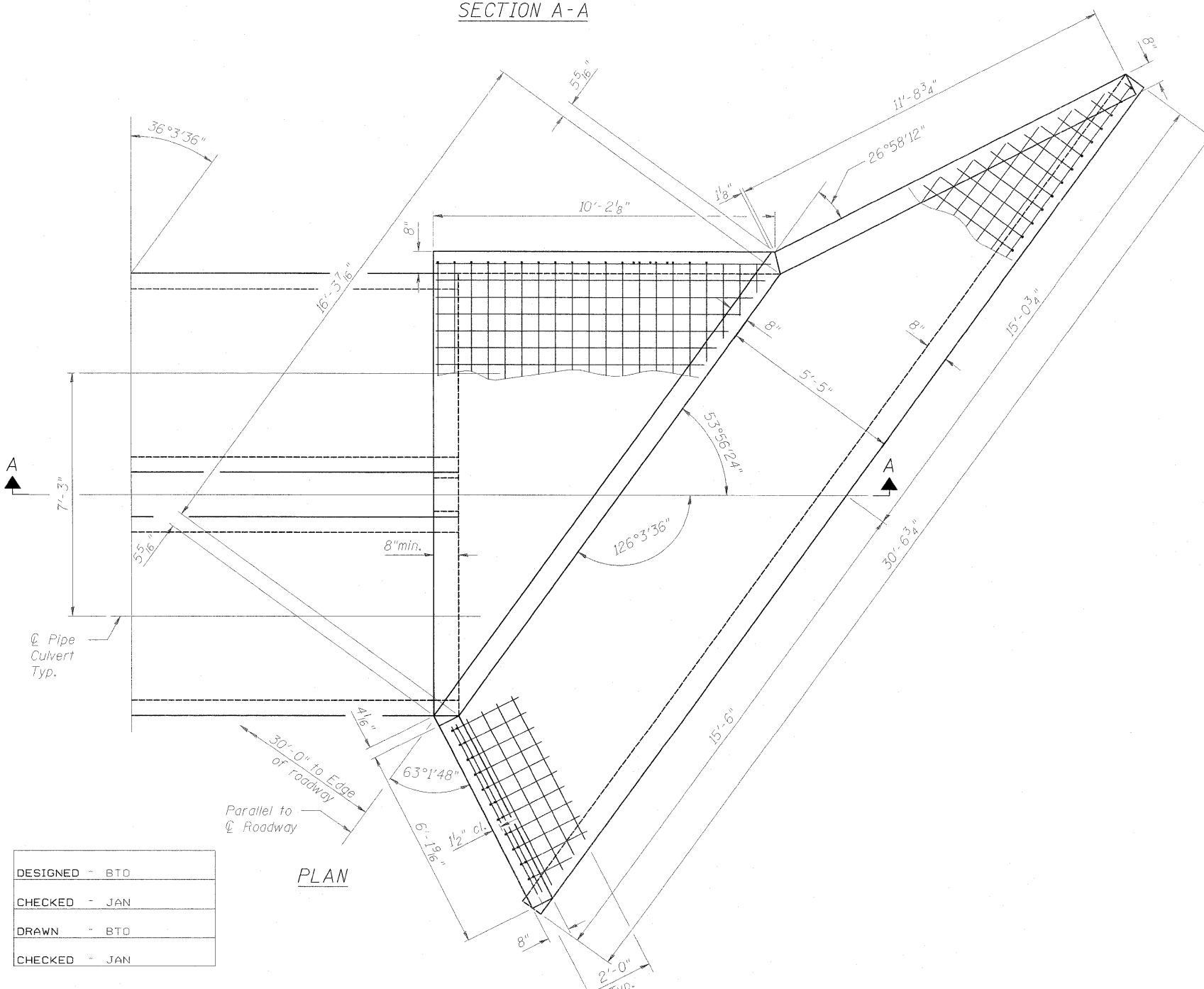


STATE OF ILLINOIS
DEPARTMENT OF TRANSPORTATION



SECTION A-A

END VIEW



GENERAL NOTES

- Build tops of headwalls parallel to grade line.
- When lapping sheets of welded wire fabric, the overlap measured between the outermost cross wires of each fabric sheet shall not be less than 8 inches.
- All slope ratios are expressed as units of vertical displacement to units of horizontal displacement (V:H).
- All dimensions are in inches unless otherwise shown.

BILL OF MATERIAL

Per Each Headwall

Bar	No.	Size	Length	Shape
h1	2	#6	18'-6"	
Concrete Structures			Cu. Yd.	11.7
Reinforcement Bars			Pound	56
WWF 6x6 W4.0xW4.0*			Sq. Yd.	59

*Cost included in the Cost of Concrete Structures.

REINFORCED CONCRETE END SECTION
FOR ELLIPTICAL PIPE CULVERTS
STA. 783+46.02

DESIGNED -	BTD
CHECKED -	JAN
DRAWN -	BTD
CHECKED -	JAN

SHEET NO. 1 1 SHEETS	F.A.P. RTE.	SECTION	COUNTY	TOTAL SHEETS	SHEET NO.
	734	77-2B-1, 77-2-2	WINNEBAGO	530	303
	CONTRACT NO. 64813				
FED. ROAD DIST. NO.		ILLINOIS FED. AID PROJECT			