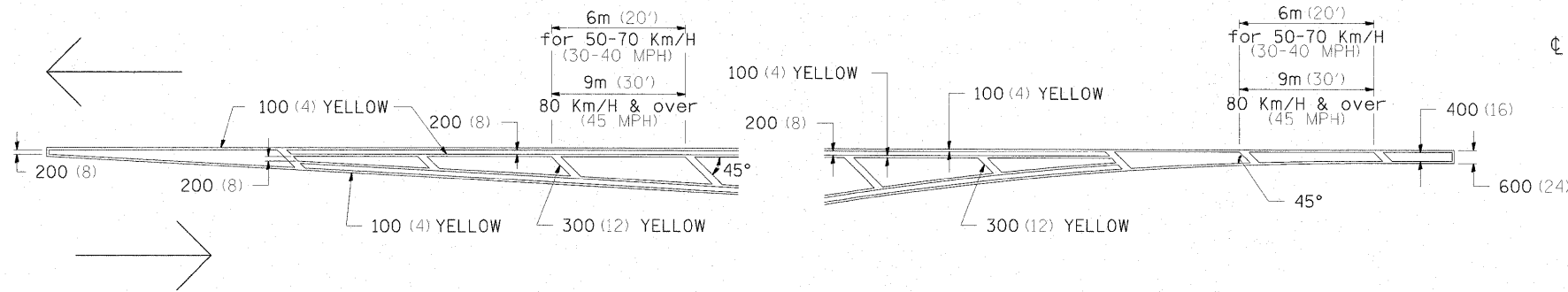
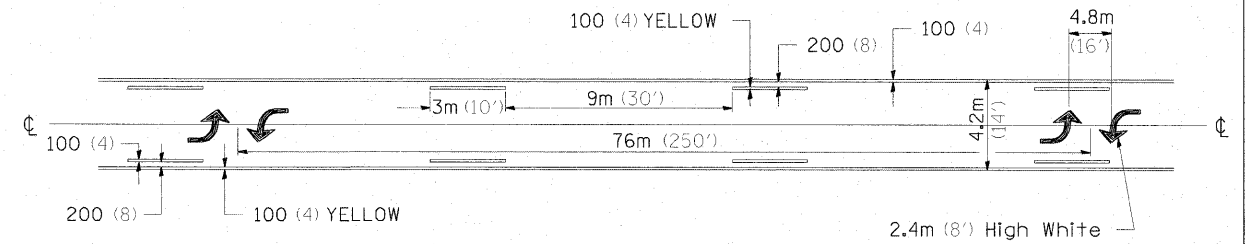


TYPICAL PAVEMENT MARKINGS

TYPICAL PAVEMENT MARKING FOR FLUSH MEDIAN AT LEFT TURN LANE

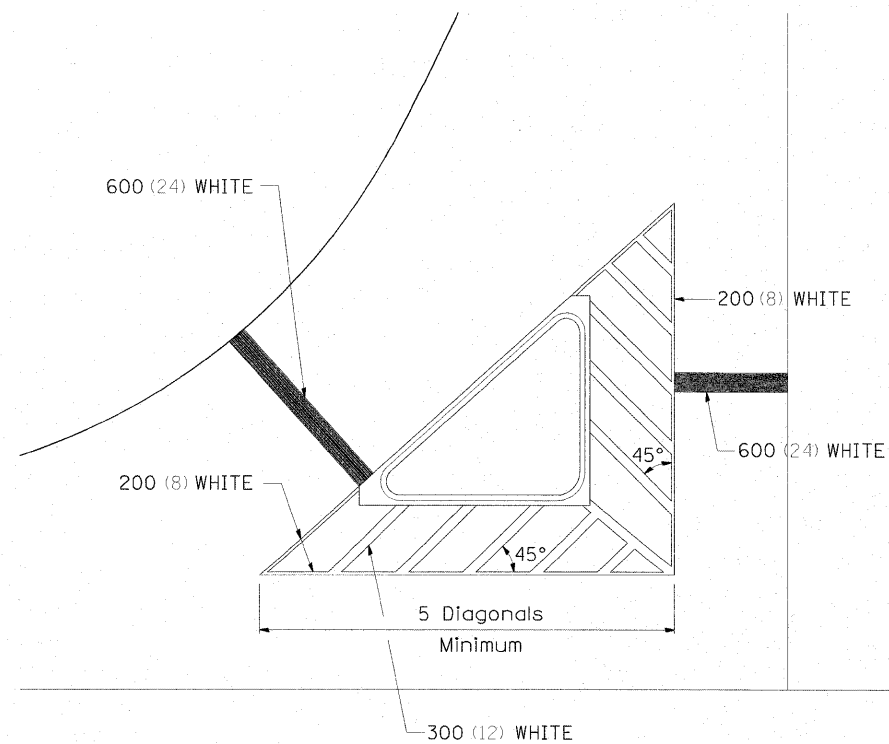


MEDIAN PAVEMENT MARKING

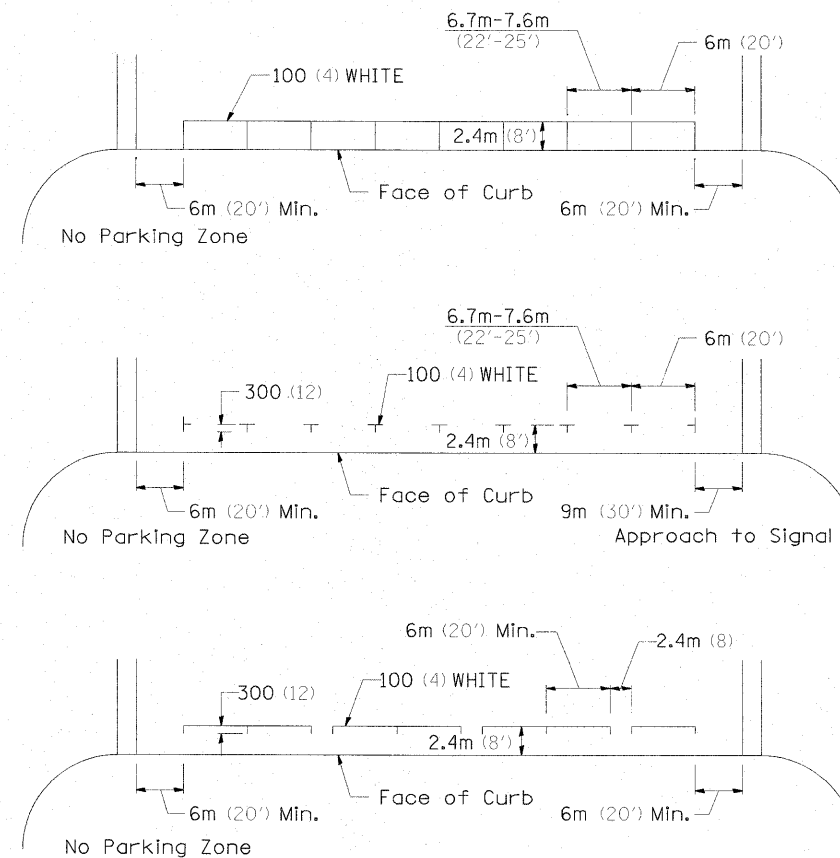


** ALL DIMENSIONS ARE IN MILLIMETERS (INCHES) UNLESS OTHERWISE NOTED.

TYPICAL ISLAND OFFSET SHOULDER WIDTH

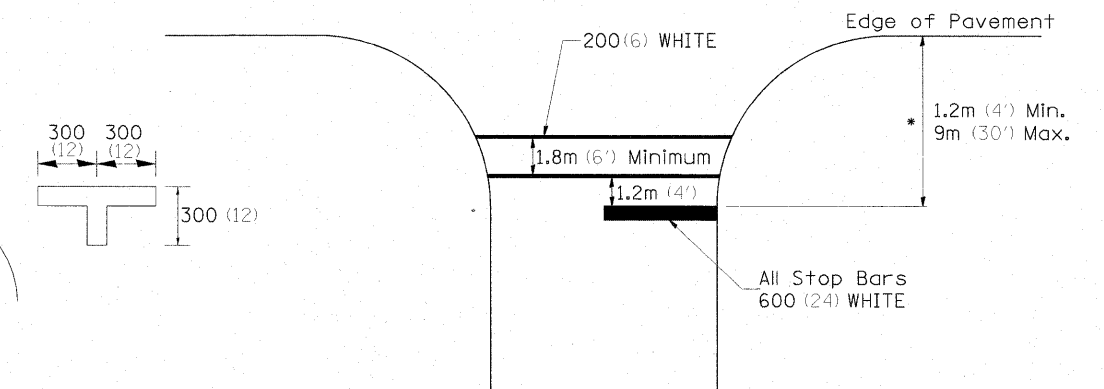


TYPICAL PARKING SPACING



STANDARD CROSSWALK MARKING

See Schedules for Locations



* Distance to the nearest edge of the intersecting roadway in the absence of a marked crosswalk.

FILE NAME	USER NAME = zulkowad	DESIGNED	REVISED - 10-21-08	STATE OF ILLINOIS DEPARTMENT OF TRANSPORTATION	REGION 2 / DISTRICT 2 STANDARD	F.A. RTE.	SECTION	COUNTY	TOTAL SHEETS	SHEET NO.	
u:\projects\11254\segment 1\sheets\civil\	Disc\0264813-District2Standards-07.dgn	DRAWN	REVISED			734	77-2-2 & 77-28-1	WINNEBAGO	530	312	
	PLOT SCALE = 50.0000 sf / IN.	CHECKED	REVISED			CONTRACT NO. 64813					
	PLOT DATE = 2/2/2011	DATE	REVISED			FED. ROAD DIST. NO. ILLINOIS FED. AID PROJECT					