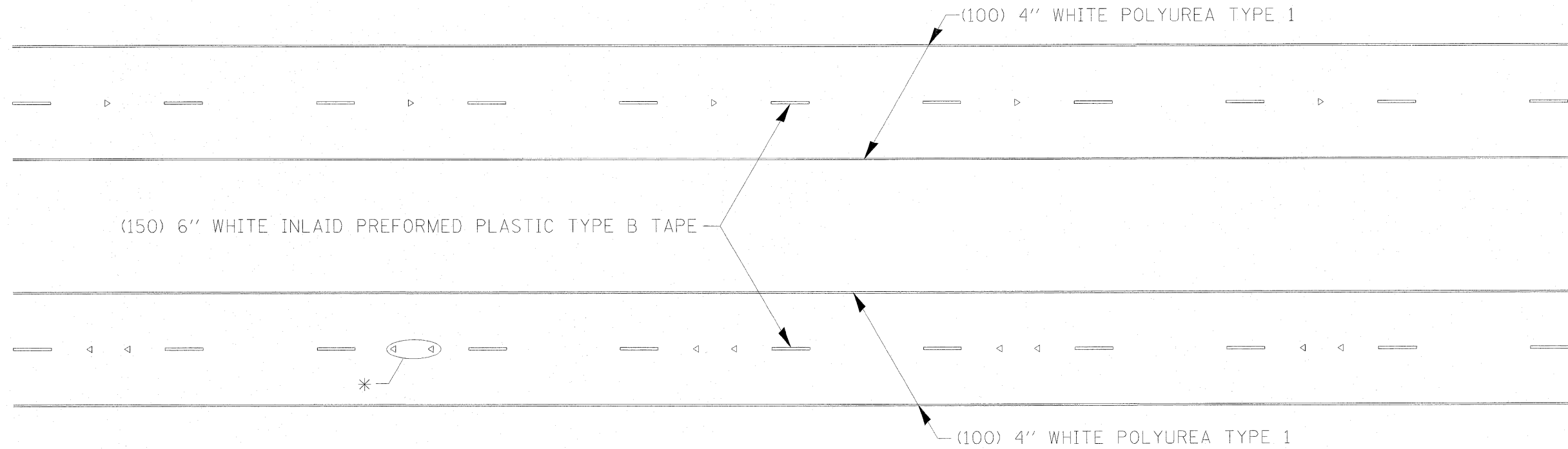
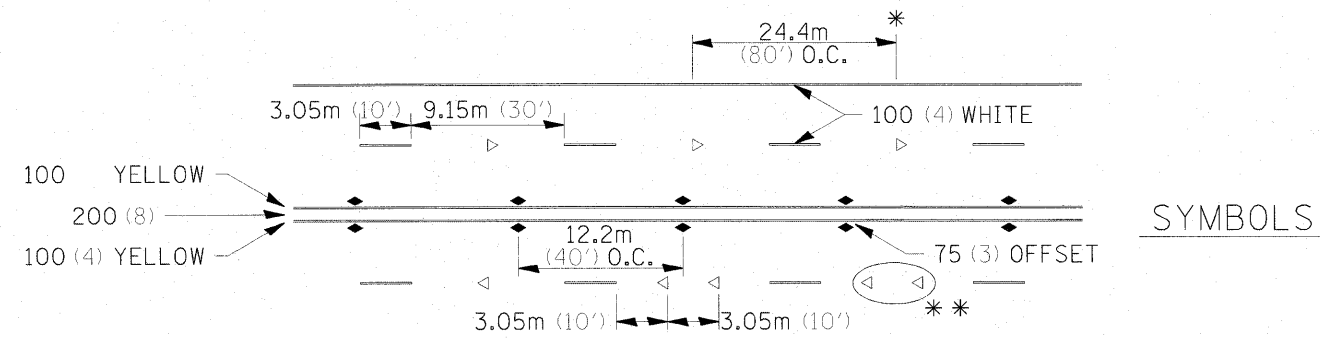


TYPICAL PAVEMENT MARKINGS



* SEE HIGHWAY STANDARD 781001 FOR SPACING DETAILS.
USE DOUBLE MARKERS WHEN ADT ≥ 25,000.

MULTI-LANE / DIVIDED



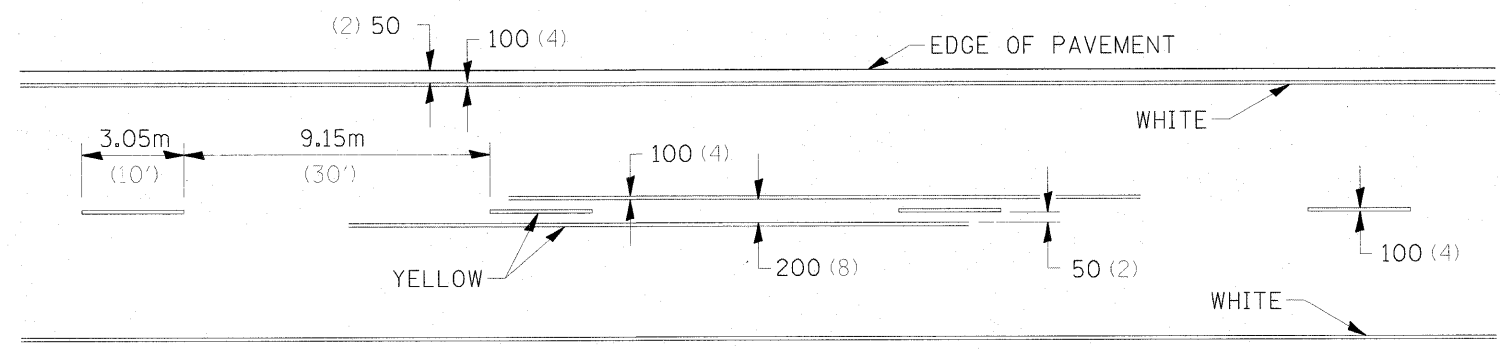
SYMBOLS

* REDUCE TO 12.2m (40') O.C. ON CURVES WHERE ADVISORY SPEEDS ARE 15Km/H (10MPH) LOWER THAN POSTED SPEEDS.

** USE DOUBLE MARKERS WHEN ADT ≥ 25,000

MULTI-LANE / UNDIVIDED

TYPICAL PAVEMENT MARKING FOR TWO LANE SECTION – NO PASSING ZONES



FILE NAME =	USER NAME = zui\owad	DESIGNED =	REVISED = 10-21-08	STATE OF ILLINOIS DEPARTMENT OF TRANSPORTATION	REGION 2 / DISTRICT 2 STANDARD		F.A. RTE.	SECTION	COUNTY	TOTAL SHEETS	SHEET NO.	
\\projects\11254\segment 1\sheets\civil\	disc\0264813-District2Standards-09.dgn	DRAWN	REVISED		SCALE:	SHEET NO. 314 OF 530 SHEETS	STA.	734	77-2-2 & 77-2B-1	WINNEBAGO	530	314
		CHECKED	REVISED				TO STA.	CONTRACT NO. 64813				
		DATE	REVISED					FED. ROAD DIST. NO. ILLINOIS FED. AID PROJECT				