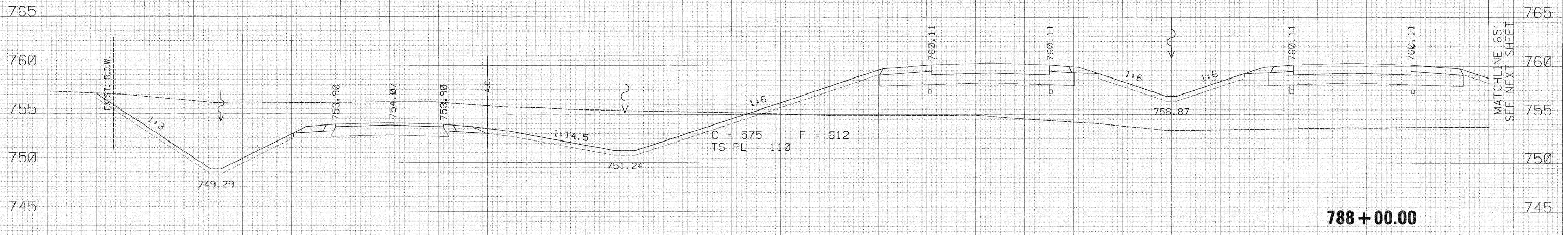


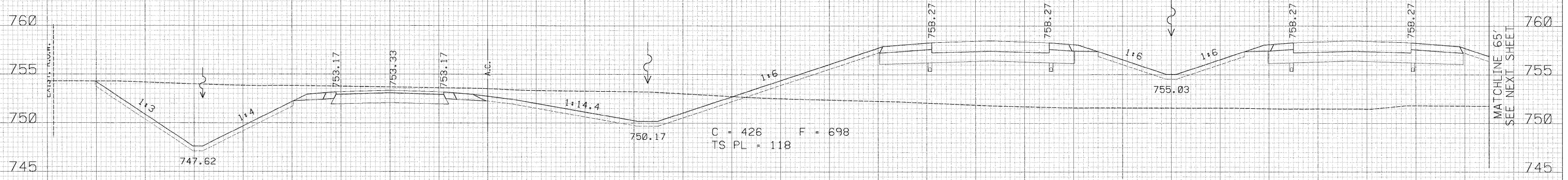
230 220 210 200 190 180 170 160 150 140 130 120 110 100 90 80 70 60 50 40 30 20 10 0 10 20 30 40 50 60

FINAL	SURVEYED	DATE
SURVEY	PLOTTED	
NOTE BOOK	TEMPLATE	
NO.	AREAS CHECKED	

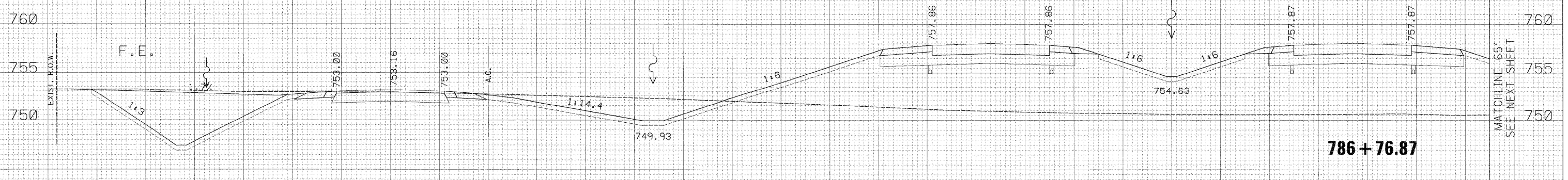


788+00.00

ORIGINAL	SURVEYED	DATE
SURVEY	PLOTTED	
NOTE BOOK	TEMPLATE	
NO.	AREAS CHECKED	



787+00.00



786+76.87

230 220 210 200 190 180 170 160 150 140 130 120 110 100 90 80 70 60 50 40 30 20 10 0 10 20 30 40 50 60

USER NAME = zuikowd	DESIGNED - RDT	REVISED -
PLLOT SCALE = 10.0000' / IN.	DRAWN - RDT	REVISED -
PLLOT DATE = 2/2/2011	CHECKED - GC	REVISED -
	DATE - 01-14-11	REVISED -

STATE OF ILLINOIS  
DEPARTMENT OF TRANSPORTATION

ILLINOIS ROUTE 2  
CROSS SECTIONS

SCALE: H<sub>1</sub> 1" = 10', V<sub>1</sub> 1" = 5' SHEET NO. 416 OF 530 SHEETS STA. 786+76.87 TO STA. 788+00.00

F.A.P. RTE. 734	SECTION 77-2-2 & 77-2B-1	COUNTY WINNEBAGO	TOTAL SHEETS 530	SHEET NO. 416
			CONTRACT NO. 64813	
ILLINOIS FED. AID PROJECT				

z:\projects\11254\segment 1\sheets\civ\1\section\0264813\shc\ssht-1L2.dgn