






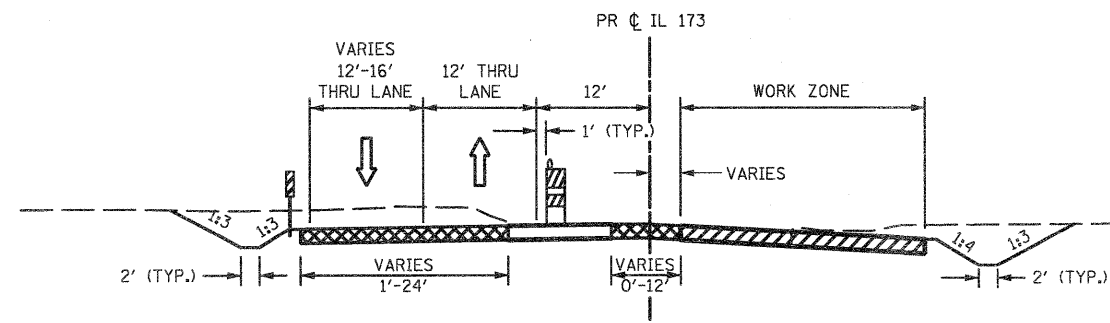
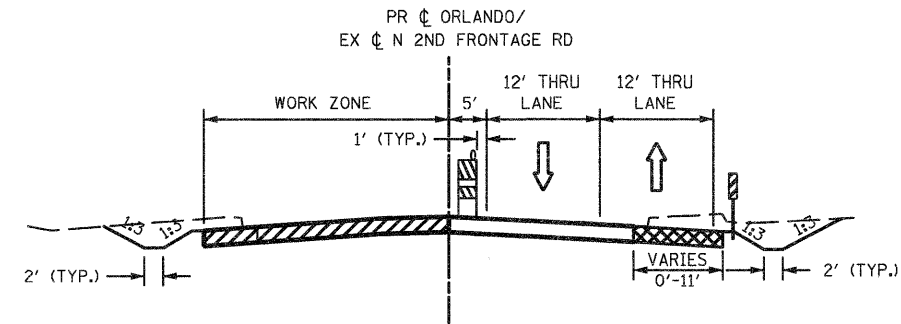


LEGEND

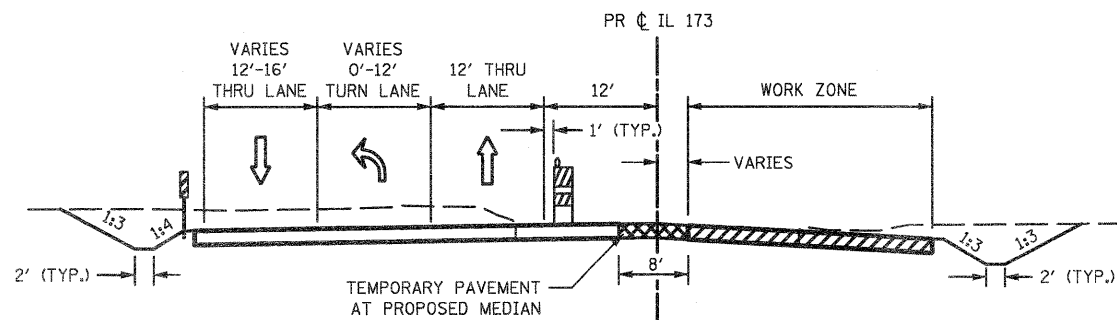
-  PAVEMENT CONSTRUCTION
-  TEMPORARY PAVEMENT
-  NEWLY CONSTRUCTED PAVEMENT (PREVIOUS STAGES)
-  TYPE II BARRICADE OR DRUM
-  DIRECTION OF TRAFFIC
-  VERTICAL PANEL
-  TEMPORARY CONCRETE BARRIER



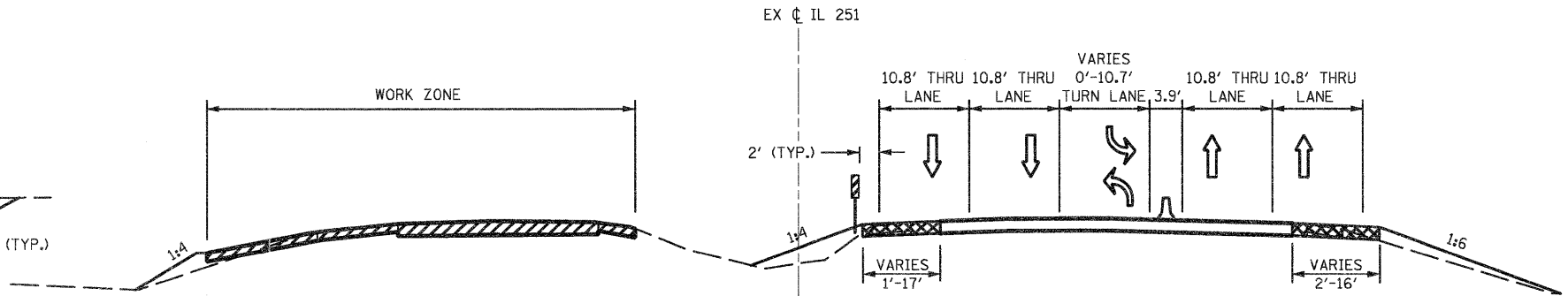
IL 173 TYPICAL SECTION
STA 986+56.97 - 995+52.54



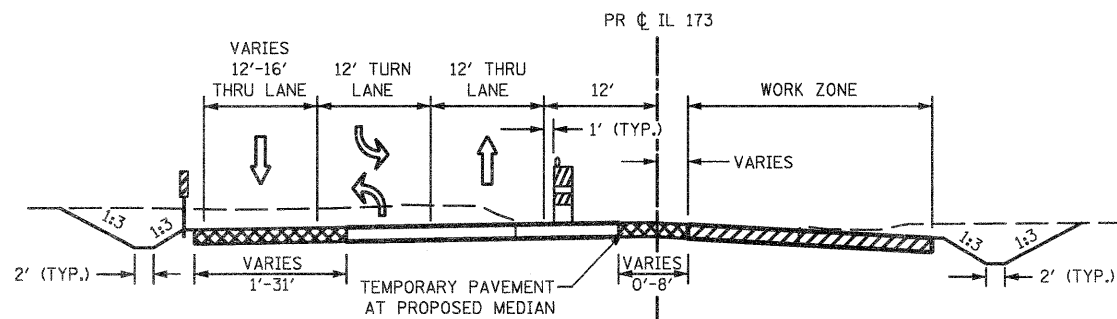
ORLANDO ST / N 2D FRONTAGE RD
TYPICAL SECTION
STA 77+25.00 - STA 314+57.89



IL 173 TYPICAL SECTION
STA 995+52.54 - 999+92.52

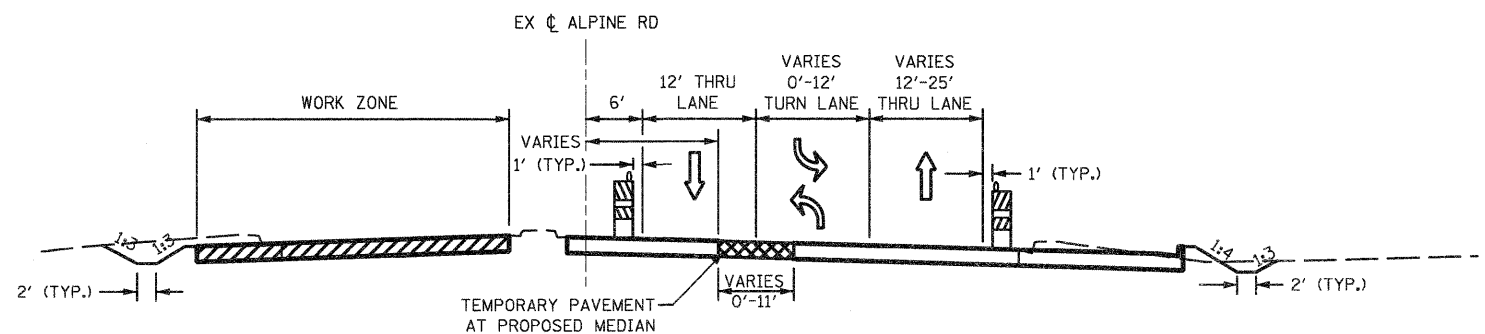


IL 251 TYPICAL SECTION
STA 862+68.95 - STA 878+83.13



IL 173 TYPICAL SECTION
STA 999+92.52 - 1029+70.53

NOTE: CONCRETE BARRIER TO BE INSTALLED IN LIEU OF TYPE II BARRICADES BETWEEN STA 1018+32.81 AND 1024+60.60



ALPINE RD TYPICAL SECTION
STA 266+75.00 - 273+32.97

NOTE: CONCRETE BARRIER TO BE INSTALLED IN LIEU OF TYPE II BARRICADES BETWEEN STA 269+00.00 AND 270+10.00 (LT) & STA 268+50.00 AND 270+10.00 (RT)

FILE NAME =
D264987-shr-staging-004.dgn

USER NAME = 3202090971

DESIGNED - LOM
DRAWN - MD

REVISED -
REVISED -

PLOT SCALE = 20.0000' / IN.
PLOT DATE = 1/18/2011

CHECKED - PDK
DATE - 01-19-2011

REVISED -
REVISED -

STATE OF ILLINOIS
DEPARTMENT OF TRANSPORTATION

STAGING AND TRAFFIC CONTROL
TYPICAL SECTIONS
STAGE 2A, 2B, 2C

SCALE: N/A SHEET NO. OF SHEETS STA. TO STA.

F.A.P. RTE.	SECTION	COUNTY	TOTAL SHEETS	SHEET NO.
303	129K-1	WINNEBAGO	401	79
CONTRACT NO. 64987				

FED. ROAD DIST. NO. 2 ILLINOIS FED. AID PROJECT