





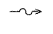

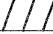

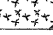

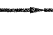
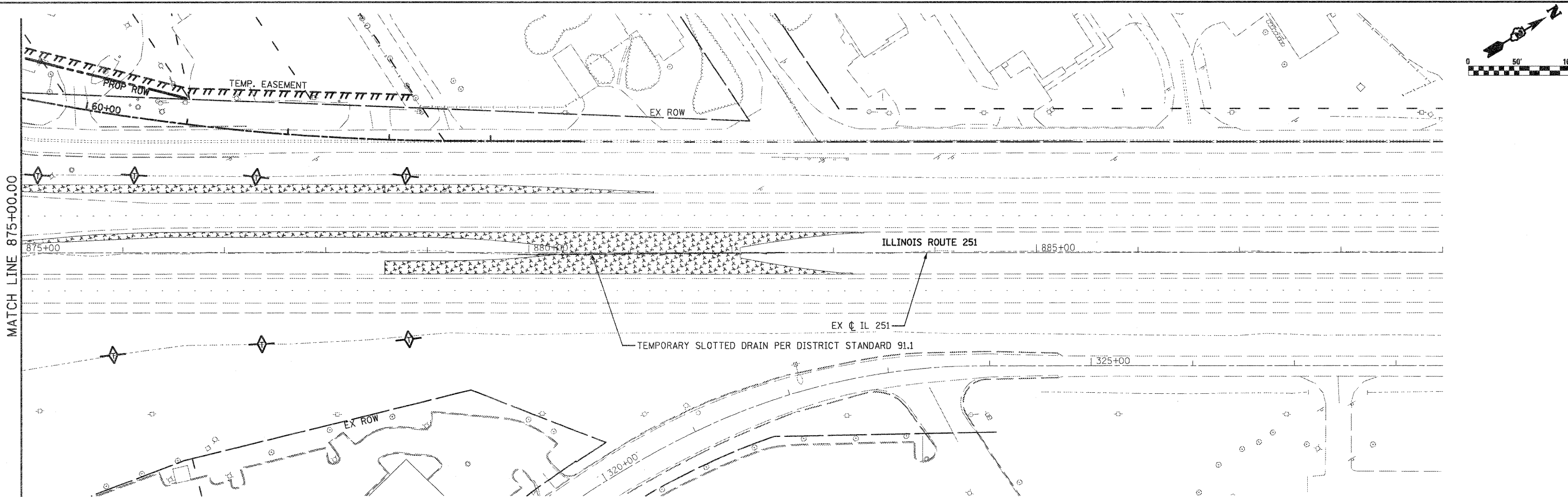
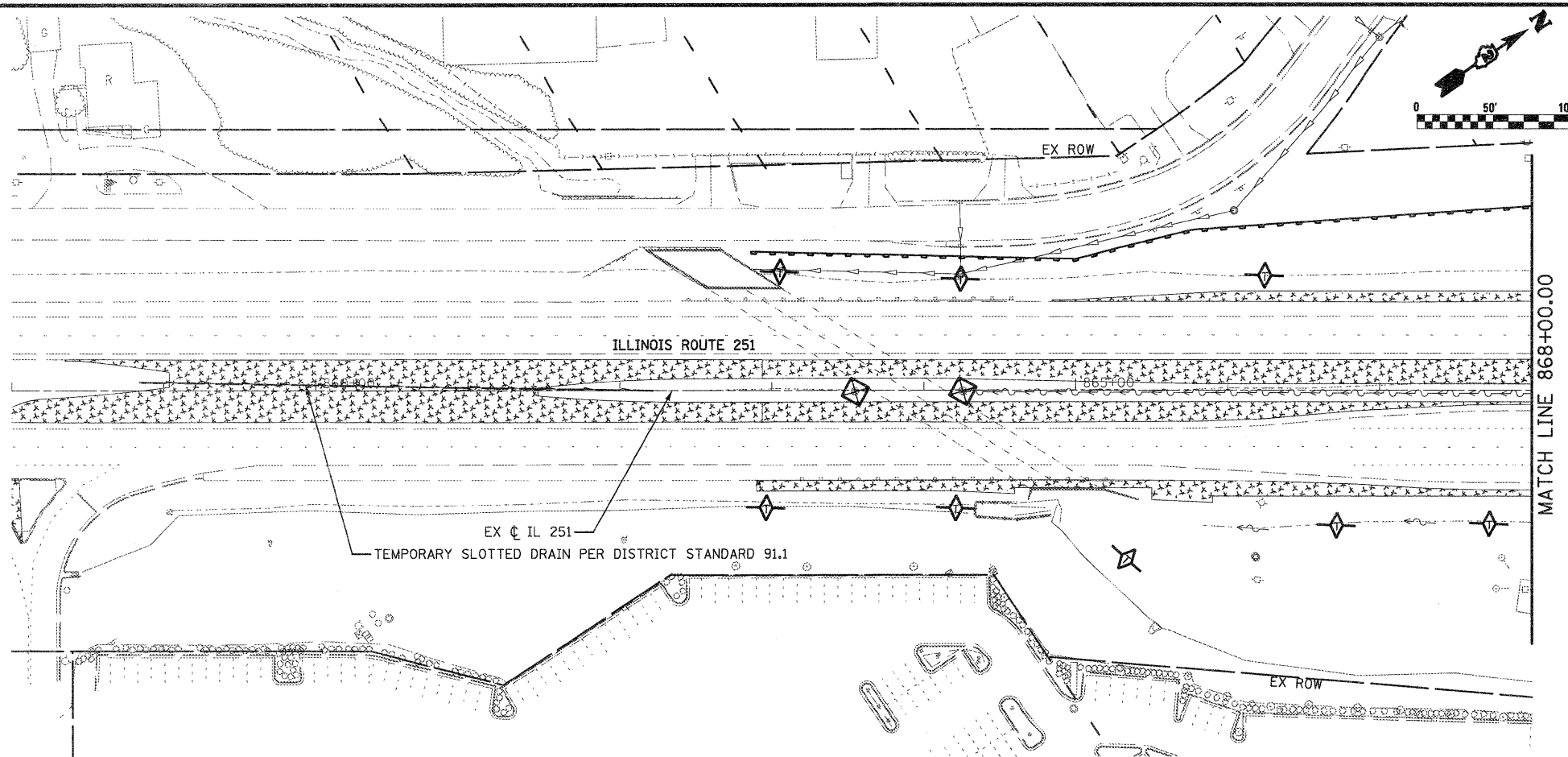


LEGEND

-  TEMPORARY DITCH CHECK
-  INLET & PIPE PROTECTION
-  PERIMETER EROSION BARRIER
-  ① REMOVE EXISTING CLOSED LID FROM TYPE 1 FRAME AND REPLACE W/ OPEN LID, ADJUST RIM TO GRADE
-  ② REMOVE TOP OF EXISTING INLET AND COVER W/ STEEL PLATE
-  EXISTING STORM SEWER
-  TEMPORARY DITCH
-  TEMPORARY SWALE
-  CONSTRUCTION ZONE
-  TEMPORARY PAVEMENT
-  TEMPORARY PAVEMENT FROM PREVIOUS STAGE
-  PERMANENT DITCH
-  TEMPORARY/PROPOSED STORM SEWER

NOTES:

1. FOR MORE DRAINAGE INFORMATION SEE PROPOSED DRAINAGE PLANS.
2. PERIMETER EROSION BARRIER IS LOCATED ON TEMP. EASEMENT/PERM. EASEMENT/R.O.W. LINE AS SHOWN ON THE PLANS.
3. FOR MORE STAGE CONSTRUCTION INFORMATION SEE STAGING AND TRAFFIC CONTROL PLANS.



FILE NAME = D264987-shtreros.winter5.dgn

USER NAME = 3282890971

DESIGNED - LOM
DRAWN - MD

REVISED -
REVISED -
REVISED -
REVISED -

PLOT SCALE = 100.0000' / IN.
PLOT DATE = 1/18/2011

CHECKED - PDK
DATE - 01-19-2011

**STATE OF ILLINOIS
DEPARTMENT OF TRANSPORTATION**

**STORM WATER POLLUTION PREVENTION PLAN
& TEMPORARY DRAINAGE
WINTER STAGE**

SCALE: SHEET NO. OF SHEETS STA. 875+00.00 TO STA. 889+00.00

F.A.P. RTE.	SECTION	COUNTY	TOTAL SHEETS	SHEET NO.
303	129K-1	WINNEBAGO	401	166
CONTRACT NO. 64987				

FED. ROAD DIST. NO. 2 ILLINOIS FED. AID PROJECT