





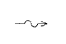

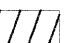
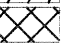
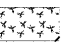





**LEGEND**

-  TEMPORARY DITCH CHECK
-  INLET & PIPE PROTECTION
-  PERIMETER EROSION BARRIER
-  ① REMOVE EXISTING CLOSED LID FROM TYPE 1 FRAME AND REPLACE W/ OPEN LID, ADJUST RIM TO GRADE
-  ② REMOVE TOP OF EXISTING INLET AND COVER W/ STEEL PLATE
-  ③ TEMPORARY STEEL PLATE ON PROPOSED STRUCTURE
-  TEMPORARY DITCH
-  TEMPORARY SWALE
-  CONSTRUCTION ZONE
-  TEMPORARY PAVEMENT
-  TEMPORARY PAVEMENT FROM PREVIOUS STAGE
-  PERMANENT DITCH
-  EXISTING STORM SEWER
-  TEMPORARY/PROPOSED STORM SEWER

**NOTES:**

1. FOR MORE DRAINAGE INFORMATION SEE PROPOSED DRAINAGE PLANS.
2. PERIMETER EROSION BARRIER IS LOCATED ON TEMP. EASEMENT/PERM. EASEMENT/R.O.W. LINE AS SHOWN ON THE PLANS.
3. FOR MORE STAGE CONSTRUCTION INFORMATION SEE STAGING AND TRAFFIC CONTROL PLANS.

FILE NAME :  
D264987-shr:eros44.dgn

USER NAME = 328289877  
PLOT SCALE = 100.0000' / IN.  
PLOT DATE = 3/16/2011

DESIGNED - LOM  
DRAWN - MD  
CHECKED - PDK  
DATE 03-16-2011

REVISED -  
REVISED -  
REVISED -  
REVISED -

**STATE OF ILLINOIS  
DEPARTMENT OF TRANSPORTATION**

**STORM WATER POLLUTION PREVENTION PLAN  
& TEMPORARY DRAINAGE  
STAGE 4A & B**

SCALE: SHEET NO. OF SHEETS STA. 1025+50.00 TO STA. 1040+00.00

F.A.P. RTE.	SECTION	COUNTY	TOTAL SHEETS	SHEET NO.
303	129K-1	WINNEBAGO	401	221
CONTRACT NO. 64987				

FED. ROAD DIST. NO. 2 ILLINOIS FED. AID PROJECT