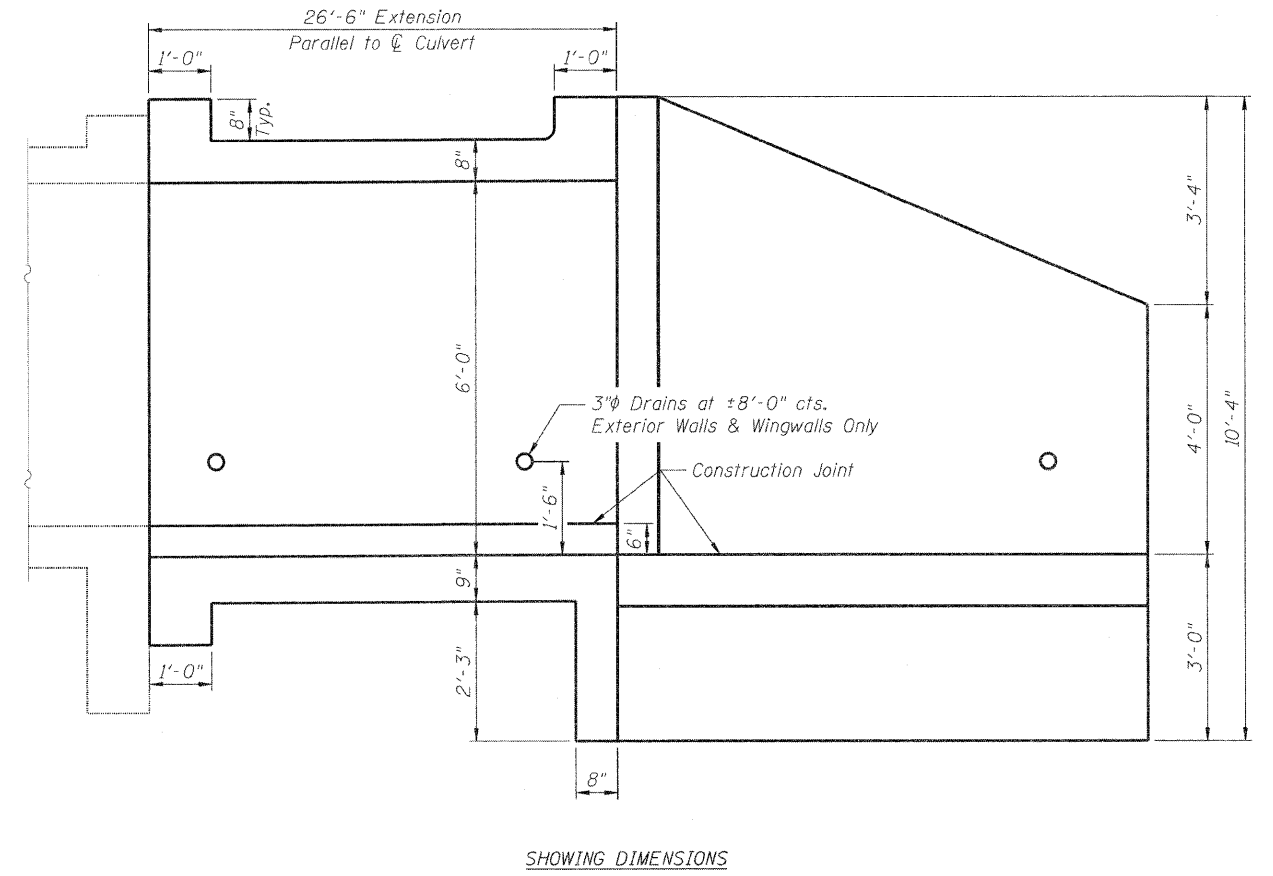
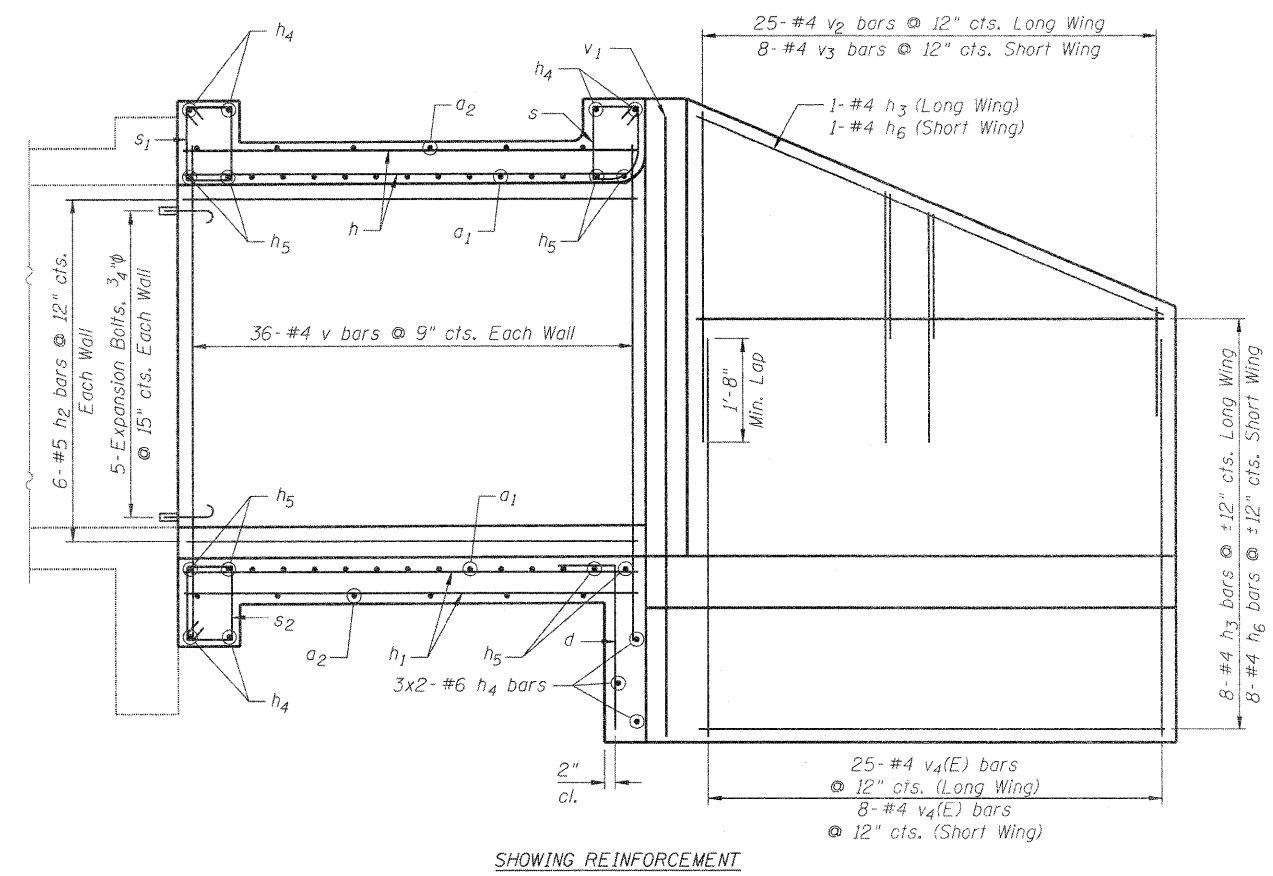


SECTION A-A



ELEVATION

FILE NAME = ...ND264987-2004-003-CulvertSections.dgn	USER NAME = SAW	DESIGNED - LAS	REvised -	STATE OF ILLINOIS DEPARTMENT OF TRANSPORTATION	CULVERT SECTIONS IL RTE 251 OVER WILLOW CREEK NORTH BRANCH	F.A.P. RTE. = 303	SECTION = 129K-1	COUNTY = WINNEBAGO	TOTAL SHEETS = 40±	SHEET NO. = 280	
PLOT SCALE = 0:2.0000' / 1"	DRAWN - SAW	CHECKED - PMM	REvised -			S.N. 101-2004 CONTRACT NO. 64987					
PLOT DATE = 11/1/2010	CHECKED - LAS	DRAWN - SAW	REvised -			SHEET NO. 3 OF 4 SHEETS					
						ILLINOIS FED. AID PROJECT					