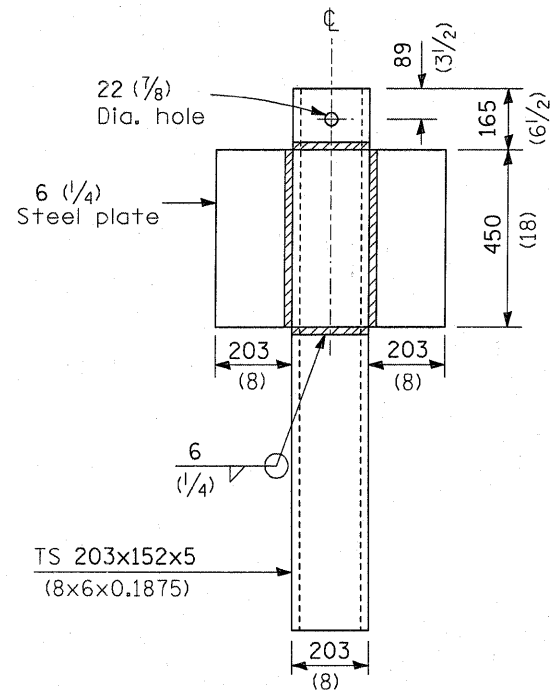
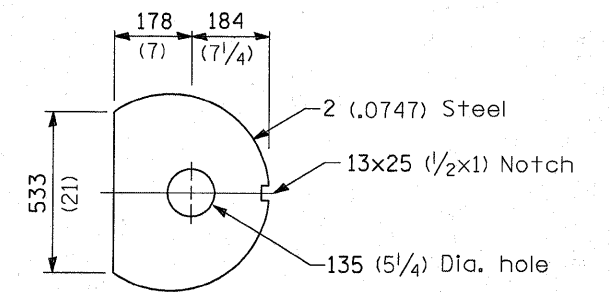


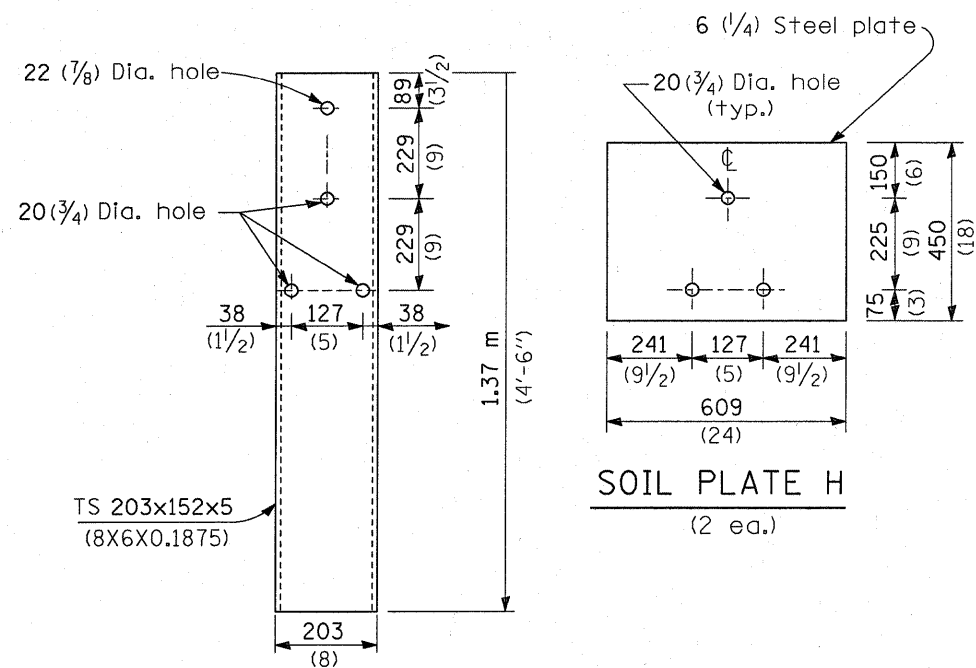
**WOOD BREAKAWAY POST**  
(2 ea.)



**ALTERNATE SOIL PLATE CONNECTION**

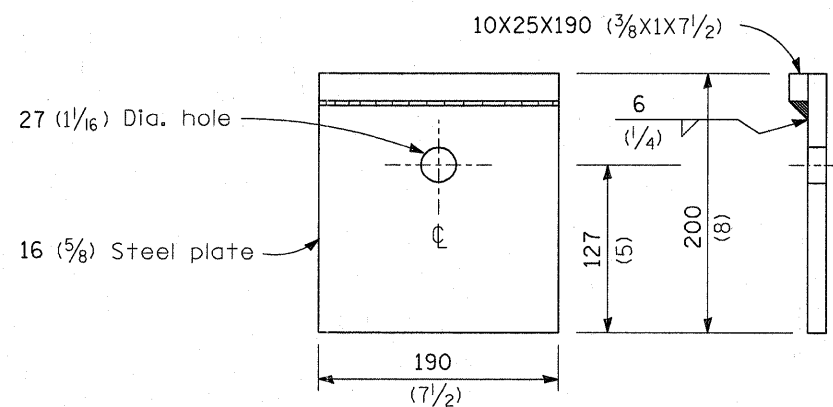


**DIAPHRAGM**  
(2 ea.)

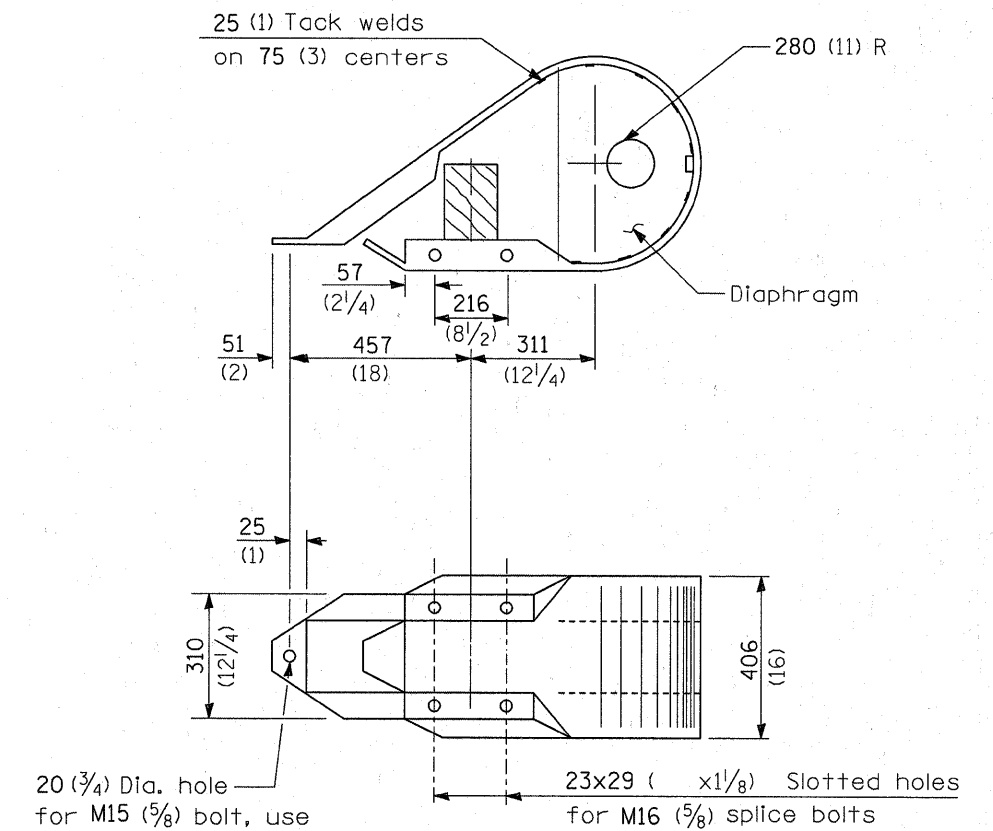


**STEEL TUBE**  
(2 ea.)

**SOIL PLATE H**  
(2 ea.)



**BEARING PLATE K**  
(1 ea.)



**NOSE**  
(1 ea.)

**DETAIL INCLUDED  
FOR REPAIR ONLY**

All dimensions are in millimeters (inches)  
unless otherwise shown.

• D-3 HIGHWAY DAMAGE REPAIR 2011

FILE NAME =	USER NAME = quigleyml	DESIGNED -	REVISED -
c:\pwork\pwsdot\quigleyml\d0258015\036829-ahh-DETAILS.dgn		DRAWN -	REVISED -
	PLOT SCALE = 50.0000' / IN.	CHECKED -	REVISED -
	PLOT DATE = Apr 07, 2011 - 11:42:13 AM	DATE -	REVISED -

**STATE OF ILLINOIS  
DEPARTMENT OF TRANSPORTATION**

**TRAFFIC BARRIER TERMINAL TYPE 1  
STANDARD B.L.R. 23**

F.A. RTE.	SECTION	COUNTY	TOTAL SHEETS	SHEET NO.
VAR.		VAR.	35	9
FED. ROAD DIST. NO. ILLINOIS FED. AID PROJECT			CONTRACT NO. 66B29	

SCALE: SHEET NO. OF SHEETS STA. TO STA.