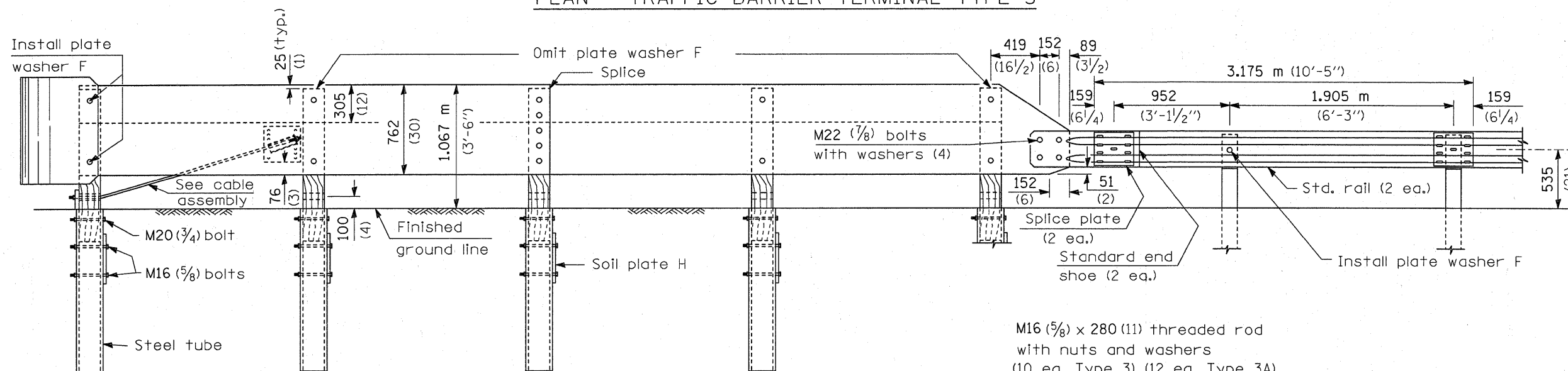
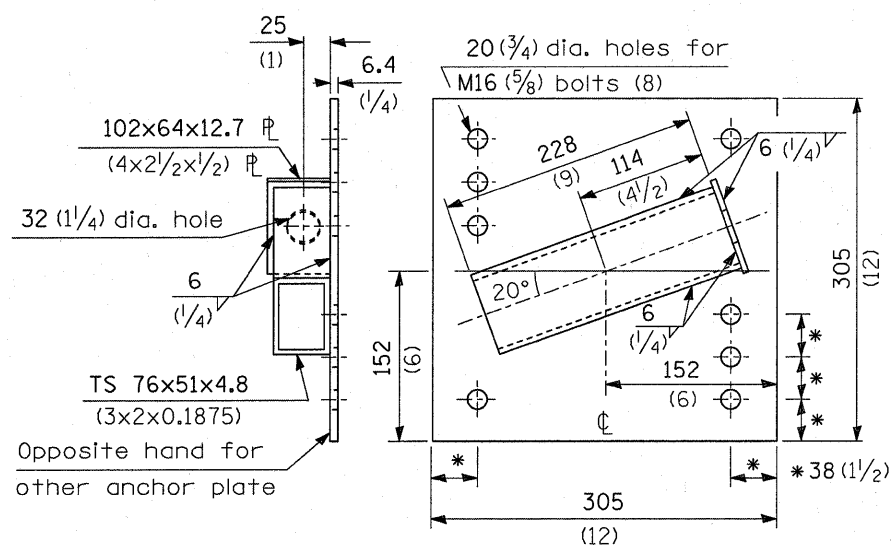


PLAN - TRAFFIC BARRIER TERMINAL TYPE 3

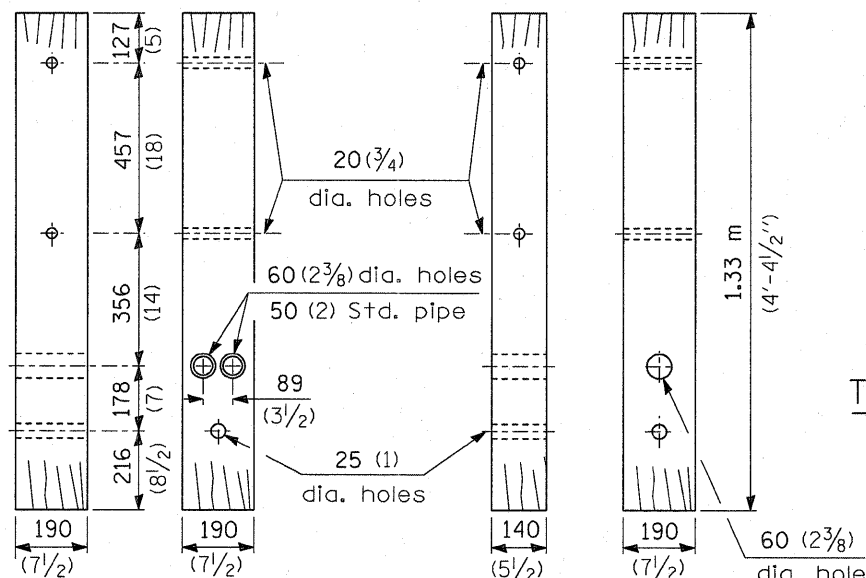


ELEVATION



ANCHOR PLATE R

(1 ea. lt. hd. & 1 ea. rt. hd.)



END TERMINAL POST

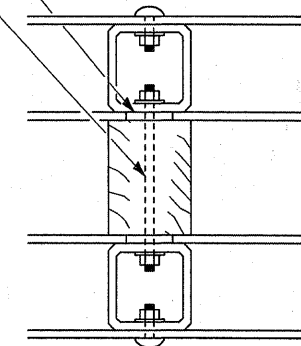
(1 ea.)

TERMINAL POST

(4 ea. Type 3)
(5 ea. Type 3A)

M16 (5/8) x 280 (11) threaded rod with nuts and washers (10 ea. Type 3) (12 ea. Type 3A)

Plate washer S for bottom hole



TYPICAL BLOCK-OUT/POST ATTACHMENT

GENERAL NOTES

All holes in Posts, Block-Outs and Plates shall be 20 mm (3/4") diameter unless otherwise noted.

See Standard 630001 for details of guardrail elements not shown.

Unless otherwise shown all bolts and nuts shall be Standard Post and Splice Bolts and Nuts (See Standard 630001).

Block-Out AA shall be used at all locations unless otherwise noted.

DETAIL INCLUDED FOR REPAIR ONLY

All dimensions are in millimeters (inches) unless otherwise shown.

FILE NAME =	USER NAME = quigleyml	DESIGNED -	REVISED -	STATE OF ILLINOIS DEPARTMENT OF TRANSPORTATION	TRAFFIC BARRIER TERMINAL TYPE 3 & 3A	F.A. RTE.	SECTION	COUNTY	TOTAL SHEETS	SHEET NO.	
cr:\pv_work\pwidot\quigleyml\d0258015\036829-ahd-DETAILS.dgn	PLOT SCALE = 50.0000' / IN.	DRAWN -	REVISED -			VAR.		VAR.	35	10	
	PLOT DATE = Apr 07, 2011 - 11:42:07 AM	CHECKED -	REVISED -			SCALE: SHEET NO. OF SHEETS STA. TO STA.		CONTRACT NO. 66B29		ILLINOIS FED. AID PROJECT	
		DATE -	REVISED -								

• D-3 HIGHWAY DAMAGE REPAIR 2011