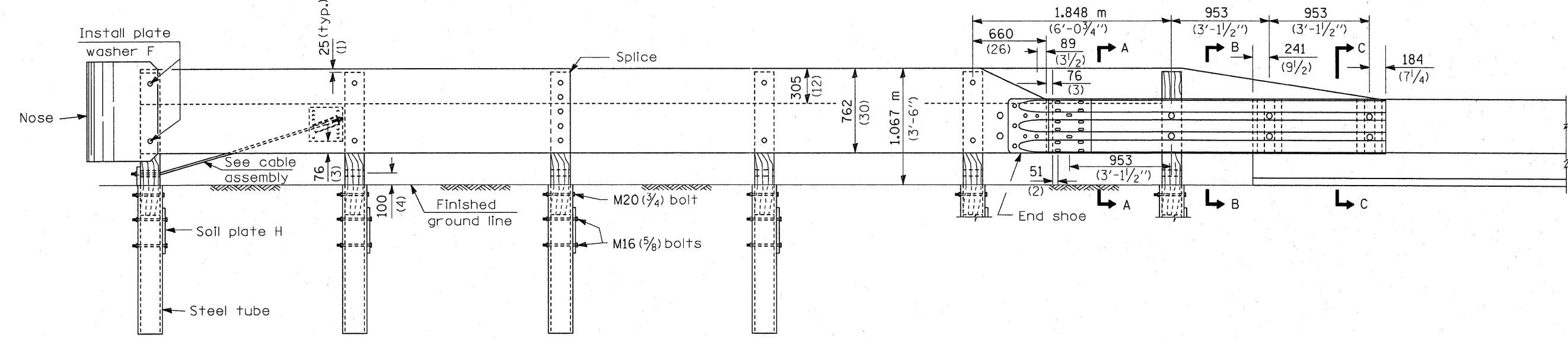
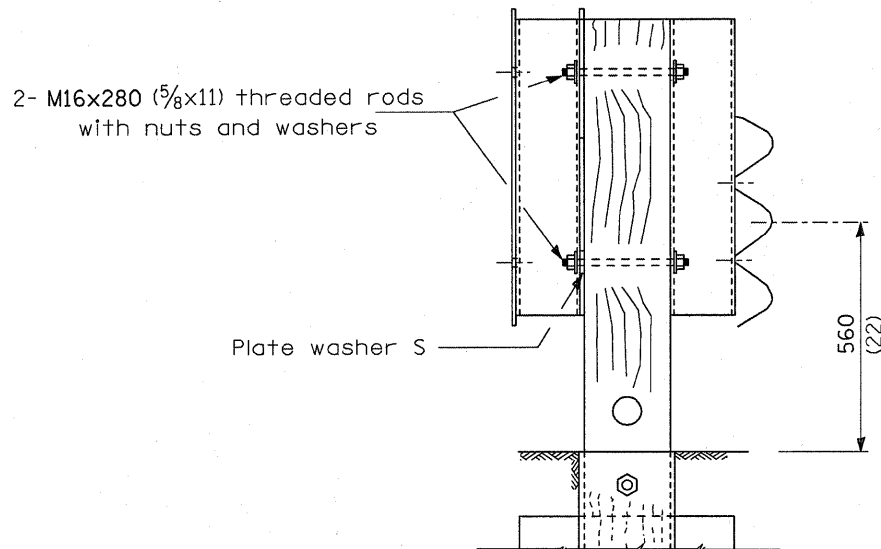


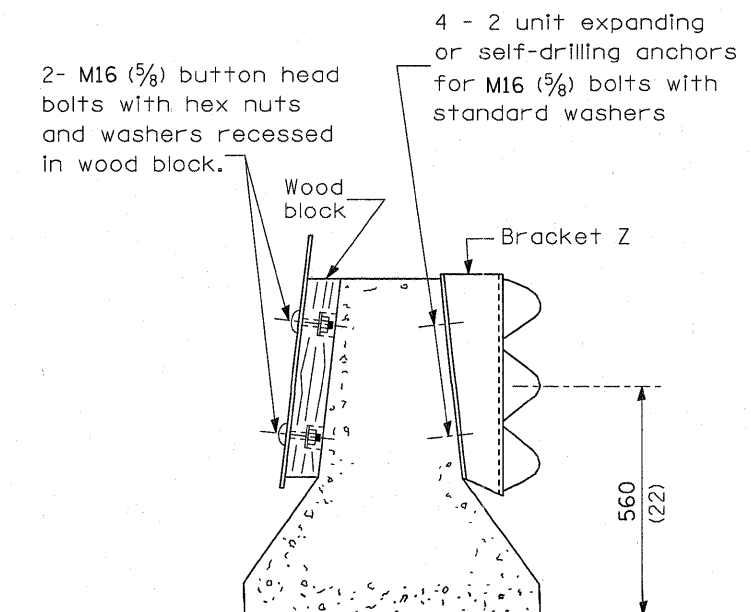
PLAN - TRAFFIC BARRIER TERMINAL TYPE 3A



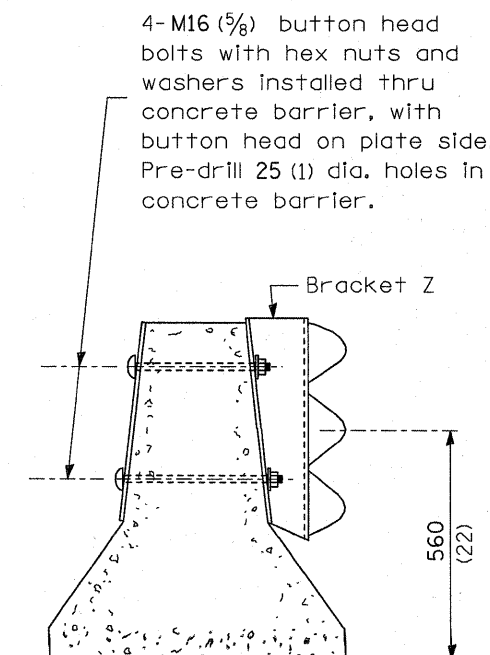
ELEVATION



SECTION A-A



SECTION B-B



SECTION C-C

**DETAIL INCLUDED FOR REPAIR ONLY**

All dimensions are in millimeters (Inches) unless otherwise shown.

|  |  |                       |  |            |  |           |  |   |  |   |  |  |  |                    |  |                          |  |          |  |                  |  |           |  |
|--|--|-----------------------|--|------------|--|-----------|--|---|--|---|--|--|--|--------------------|--|--------------------------|--|----------|--|------------------|--|-----------|--|
| FILE NAME =  |  | USER NAME = quigleyml |  | DESIGNED - |  | REVISED - |  | <b>STATE OF ILLINOIS<br/>DEPARTMENT OF TRANSPORTATION</b> |  | <b>TRAFFIC BARRIER TERMINAL TYPE 3 &amp; 3A</b> |  |  |  | F.A. RTE.          |  | SECTION                  |  | COUNTY   |  | TOTAL SHEETS     |  | SHEET NO. |  |
| c:\pwr_work\pwr\dot\quigleyml\d02588015\0368829-ah-t-DETAILS.dgn |  | DRAWN -               |  | REVISED -  |  | REVISED - |  |   |  |   |  |  |  | VAR.               |  | VAR.                     |  | VAR.     |  | 35               |  | 11        |  |
| PLOT SCALE = 50.0000' / IN.                                      |  | CHECKED -             |  | REVISED -  |  | REVISED - |  |   |  |   |  |  |  | CONTRACT NO. 66B29 |  | FED. ROAD DIST. NO.      |  | ILLINOIS |  | FED. AID PROJECT |  |           |  |
| PLOT DATE = Apr 07, 2011 - 11:42:00 AM                           |  | DATE -                |  | REVISED -  |  | REVISED - |  |   |  |   |  |  |  | SCALE:             |  | SHEET NO. OF SHEETS STA. |  | TO STA.  |  |                  |  |           |  |

• D-3 HIGHWAY DAMAGE REPAIR 2011