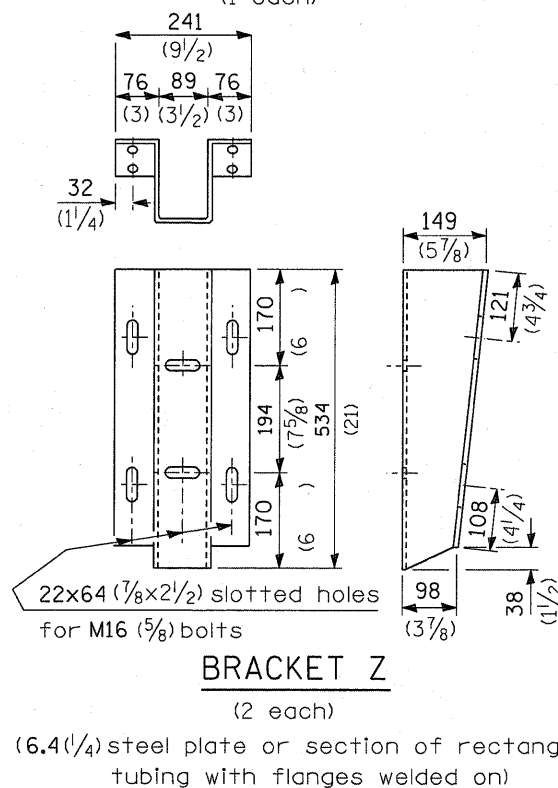
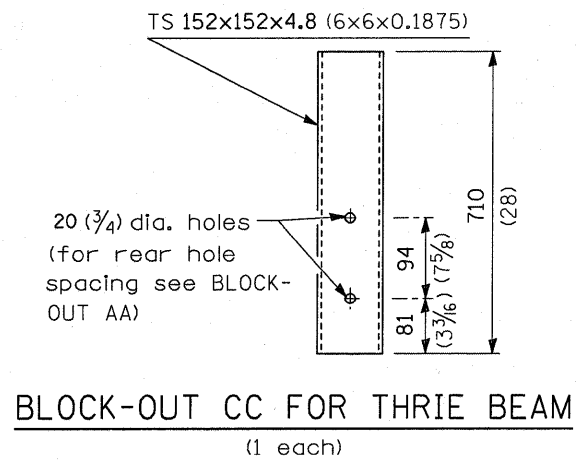
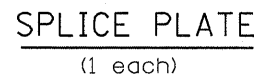
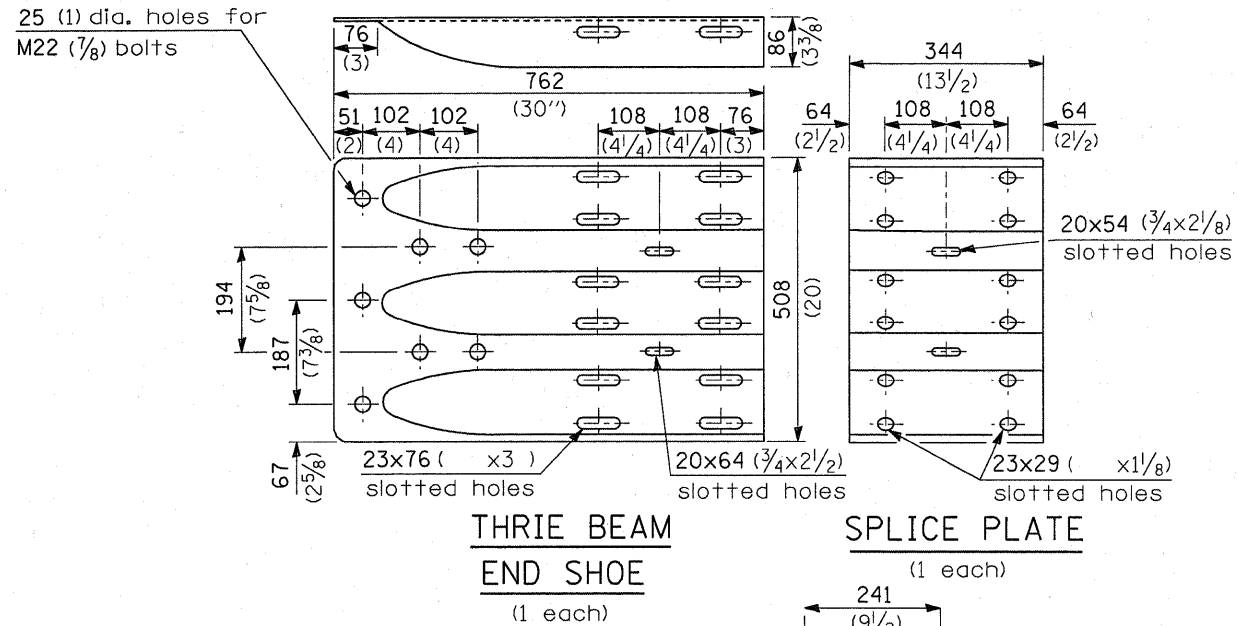
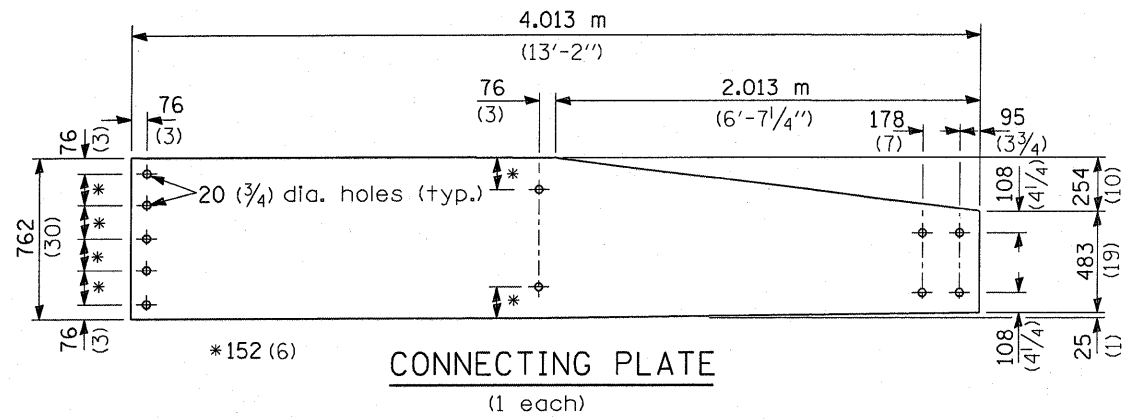
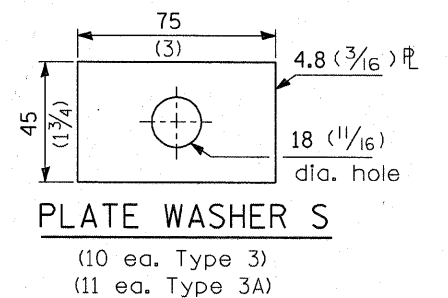
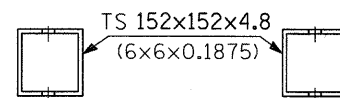
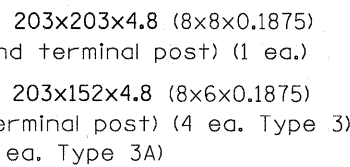
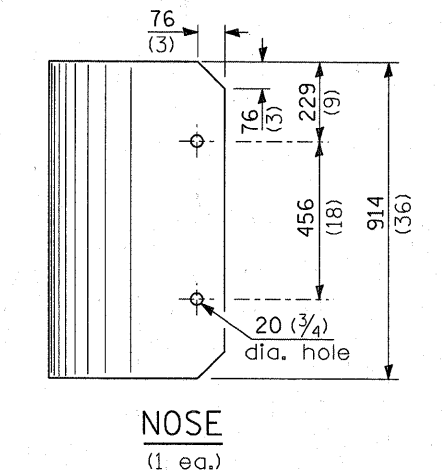
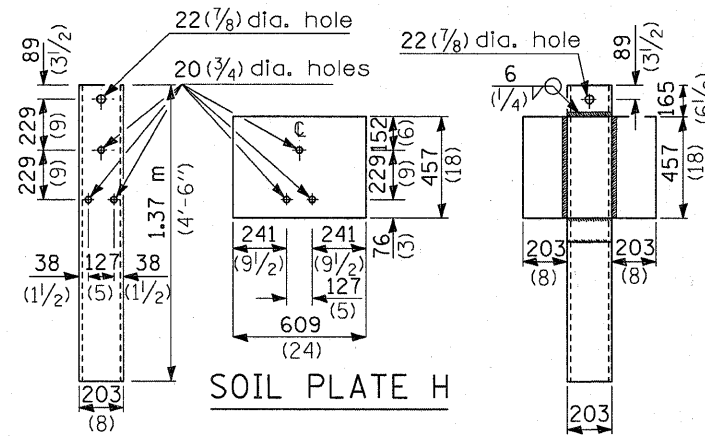
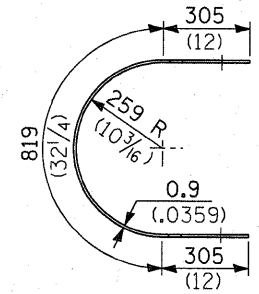
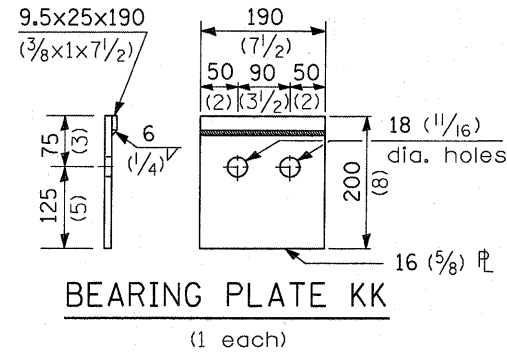


TYPE 3A ONLY



TYPE 3 & 3A



DETAIL INCLUDED FOR REPAIR ONLY

All dimensions are in millimeters (inches) unless otherwise shown.

| | | | | | | | | | | |
|---|-----------------------|--|-----------|---|---|---------------------------|---------|--------|--------------|-----------|
| FILE NAME = | USER NAME = quigleyml | DESIGNED - | REVISED - | STATE OF ILLINOIS DEPARTMENT OF TRANSPORTATION | TRAFFIC BARRIER TERMINAL TYPE 3 & 3A | F.A. RTE. | SECTION | COUNTY | TOTAL SHEETS | SHEET NO. |
| cr\pwork\pwork\quigleyml\d0258015\036829-ah-t-DETAILS.dgn | | DRAWN - | REVISED - | | | VAR. | | VAR. | 35 | 12 |
| | | CHECKED - | REVISED - | | | CONTRACT NO. 66B29 | | | | |
| | | DATE - | REVISED - | | | ILLINOIS FED. AID PROJECT | | | | |
| PLOT SCALE = 50.0000 / IN. | | PLOT DATE = Apr 07, 2011 - 11:41:47 AM | | SCALE: | SHEET NO. OF SHEETS STA. TO STA. | | | | | |

• D-3 HIGHWAY DAMAGE REPAIR 2011